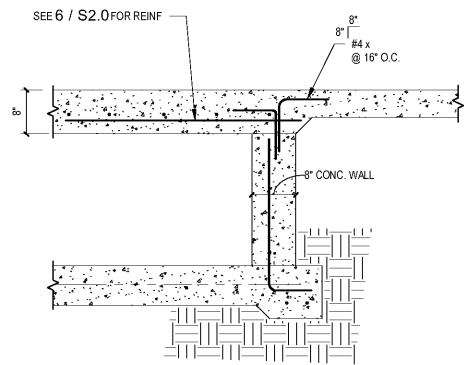
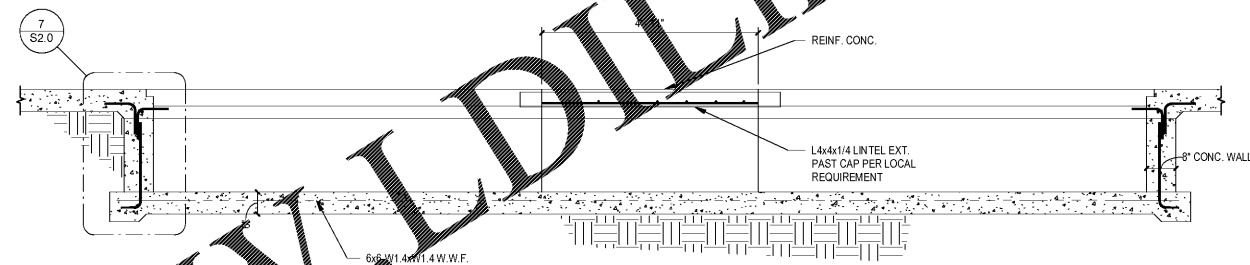


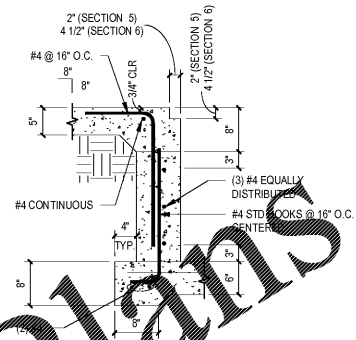
9 DETAIL
3" = 1'-0"



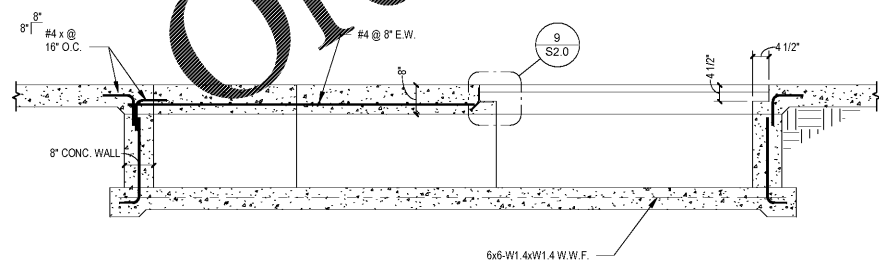
8 SECTION F1
3/4" = 1'-0"



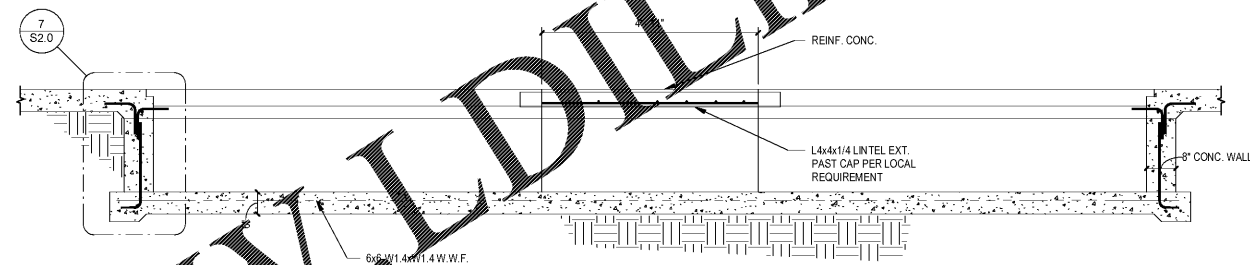
7 SECTION
1/2" = 1'-0"



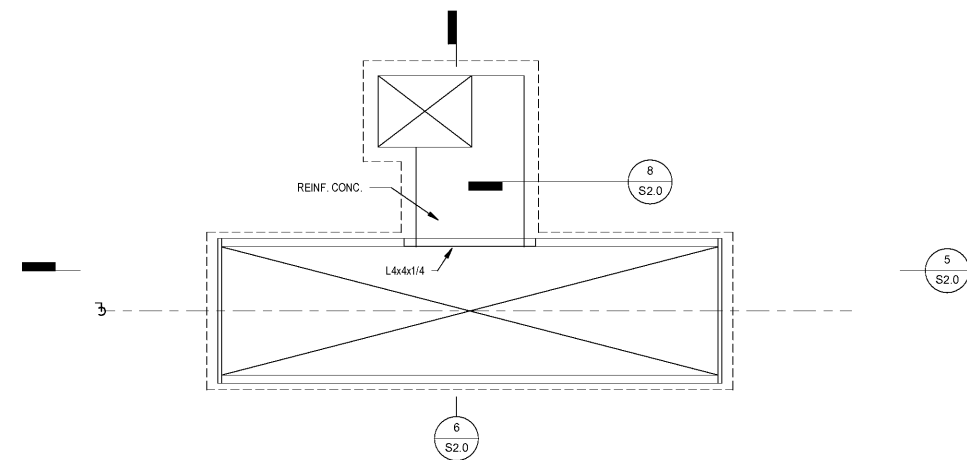
5 SECTION
3/4" = 1'-0"



6 SECTION
1/2" = 1'-0"



8 SECTION
1/2" = 1'-0"



3 PIT PLAN LAYOUT3
1/4" = 1'-0"

GENERAL NOTES

1. PLANS AND DETAILS FOR THE SPRAY BOOTH PITS ARE BASED UPON DOCUMENTATION SUPPLIED BY THE OWNER FROM GARMAT USA. VERIFY AND COORDINATE FINAL EQUIPMENT REQUIREMENTS WITH PIT LAYOUT SHOWN. NOTIFY ENGINEER OF ANY CHANGES, UPDATES, OR DISCREPANCIES PRIOR TO CONSTRUCTION.
2. SEE SHEET S001 FOR GENERAL NOTES AND SPECIFICATIONS APPLICABLE TO THE DESIGN AND MATERIAL REQUIREMENTS OF THE APPLICABLE COMPONENTS.
3. DETAILS ARE GENERAL IN NATURE AND REPRESENT TYPICAL CONDITIONS THAT ARE THE SAME OR SIMILAR TO THOSE SPECIFICALLY DETAILED.

1925 Prospect Ave.
Orlando, FL 32814
P: (407) 561-9100
F: (407) 561-9101
www.cpi.com



Cross Development

Caliber Collision Five Forks
1215 East Butler Rd.
Greenville, SC 29607

Finished Pit Plan View and Section Details



No.	Description	Date
1	PERMIT COMMENTS RESPONSE	09-22-2020

PROJECT NO.	220057
DATE	07/17/2020
DRAWN	JK
CHECKED	TM

BID SET 10/28/2020

S2.0