

**DOOR NOTES**

- SCHEDULED WIDTH AND HEIGHT ARE ROUGH OPENING SIZE
- SIGNAGE: PROVIDE 1" HIGH LETTERS IN CONTRASTING COLORS TO BACKGROUND. TEXT TO READ "THIS DOOR TO REMAIN UNLOCKED DURING BUSINESS HOURS". SIGNAGE FURNISHED BY AND INSTALLED BY GENERAL CONTRACTOR.
- FINISH HARDWARE IS TO BE LEVER ACTION, ADA APPROVED, COMMERCIAL GRADE TO MATCH SCHLAGE C KEY WAY OR APPROVED EQUAL AT ALL DOORS INCLUDING STOREFRONT SYSTEM AND ALL DOORS SHALL BE ON A MASTER KEY SYSTEM.
- ALL HOLLOW METAL DOORS AND FRAMES LOCATED IN THE WORK SHOP ARE PROVIDED AND INSTALLED BY THE GENERAL CONTRACTOR.
- GLAZING INSET TO MEET OR EXCEED 1 HOUR MIN FIRE RATING.
- INSTALL LIFT TRACKS TO MAX ALLOWABLE HEIGHT.
- REFER TO METAL BUILDING PLANS
- PROVIDE DOOR STOPS
- SIGNAGE PER THE LOCAL FIRE MARSHALL REQUIREMENTS FOR THE FIRE RISER ROOM.
- DOOR TO BE KEYPAD ALIKE AND KEYPAD TO THE MASTER KEY.
- DOOR TO BE KEYPAD SEPARATELY AND KEY TO THE MASTER KEY.
- INSULATED OVERHEAD DOOR TO INCLUDE LOW 'E' GLAZING PANELS (REFER SPECIFICATIONS)
- WOOD DOOR IS CLADDED WITH THE SPECIFIED PLASTIC LAMINATE
- HOLLOW METAL FRAMES TO BE FIELD PAINTED AT THE EXTERIOR TO MATCH XXX AND INTERIOR TO BE PAINTED TO MATCH XXX.
- HOLLOW METAL FRAMES TO BE FIELD PAINTED AT THE EXTERIOR TO MATCH XXX AND INTERIOR TO NOT BE PAINTED.
- INSTALL POWER OPERATED OPENER
- LABEL DOOR EXTERIOR PER FIRE MARSHAL REQUIREMENTS
- LABEL DOOR INTERIOR AS "NOT AN EXIT" PER FIRE MARSHAL REQUIREMENTS
- LABEL DOOR PER LOCAL CODE REQUIREMENTS
- THE TWO MAIN OH DOORS NEED AUTOMATIC OPENERS WITH PUSH BUTTON INSIDE, KEYPAD OUTSIDE WITH REMOTES TO ALSO BE PROVIDED. REF. ELEVATIONS FOR DOOR LOCATIONS
- MTL DRIP CAP TO BE PROVIDED BY MTL. BLDG PROVIDER AT ALL EXTERIOR HM DOOR OPENINGS
- IN ORDER TO COMPENSATE FOR PLYWOOD, DOOR JAMB DEPTHS SHOULD BE A MIN. OF 8". TYPICAL SIZE FOR OTHER DOORS IS 6" IN WORKSHOP AREA

**WINDOW NOTES**

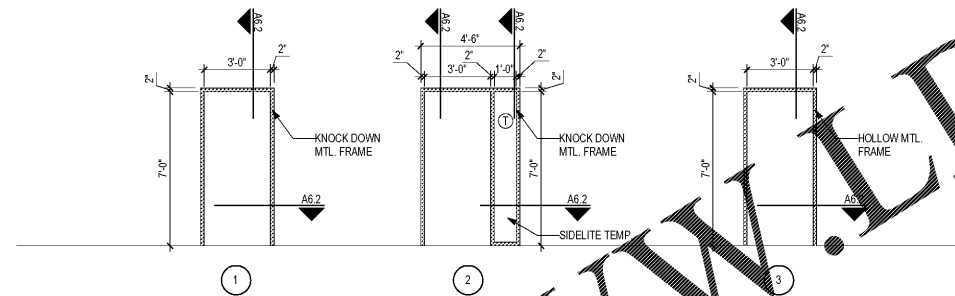
- EXTERIOR ANOD. ALUM. STOREFRONT AS SPEC'D W/ 1" INSULATED GLASS / REF TO GLASS SPECIFICATION IN PROJECT MANUAL
- PROVIDE TEMPERED SAFETY GLASS WHERE SHOWN WITH THIS SYMBOL (T) OR WHERE REQ'D BY CODE.

**DOOR AND FRAME SCHEDULE**

DETAIL REFERENCES REFER TO SHEET A6.2 U.N.O.

MARK	ROOM NAME	DOOR HARDWARE INDEX	TYPE	MATERIAL	QTY	NOMINAL SIZE			GLASS	FRAME TYPE	MATERIAL	FIRE RATING (MINIMUM)	NOTES
						W	H	T					
100	LOBBY	SET#1	F	ALUM.	PR	6'-0"	7'-0"	1 3/4"	TEMPERED	-	ALUM.	-	2,3,11,19
101	OFFICE	SET#4	B	PLAM	1	3'-0"	7'-0"	1 3/4"	TEMPERED	2	KD ALUM.	-	3,11,13
102	OFFICE	SET#4	B	PLAM	1	3'-0"	7'-0"	1 3/4"	TEMPERED	2	KD ALUM.	-	3,11,13
103	OFFICE	SET#4	B	PLAM	1	3'-0"	7'-0"	1 3/4"	TEMPERED	2	KD ALUM.	-	3,11,13
104	BULLPEN	---	---	---	---	4'-0"	7'-0"	---	---	2	KD ALUM.	-	18
105	BREAK ROOM	SET#6	E	PLAM	1	3'-0"	7'-0"	1 3/4"	TEMPERED	1	HM	-	3,11,13
105B	BREAK ROOM	SET#11	H	HM	1	3'-0"	7'-0"	1 3/4"	TEMPERED	1	KD ALUM.	-	3,5,21,22
106	FIRE RISER ROOM	SET#3	C	HM	1	3'-0"	7'-0"	1 3/4"	---	3	HM	-	2,3,11,19
107	STORAGE	SET#8	B	PLAM	1	3'-0"	7'-0"	1 3/4"	---	1	KD ALUM.	-	3,13
108	SHOP RESTROOM	SET#10	C	HM	1	3'-0"	7'-0"	1 3/4"	---	1	HM	-	10,15,18,21,22
109	IT	SET#5	D	PLAM	1	3'-0"	7'-0"	1 3/4"	---	1	KD ALUM.	-	3,11
110	MENS	SET#9	B	PLAM	1	3'-0"	7'-0"	1 3/4"	---	1	KD ALUM.	-	3,11
111	WOMENS	SET#9	B	PLAM	1	3'-0"	7'-0"	1 3/4"	---	1	KD ALUM.	-	3,11
112	HALLWAY	SET#7	H	HM	1	3'-0"	7'-0"	1 3/4"	TEMPERED	1	HM	-	3,5,21,22
113A	WORKSHOP	SET#2	C	HM	1	3'-0"	7'-0"	1 3/4"	---	3	HM	-	4,7,10,14,19,21
113B	WORKSHOP	---	G	STEEL	1	20'-0"	10'-0"	---	TEMPERED	-	-	-	6,8,12,16,20
113C	WORKSHOP	SET#2	C	HM	1	3'-0"	7'-0"	1 3/4"	---	3	HM	-	7,10,14,19,21
113D	WORKSHOP	---	G	STEEL	1	12'-0"	10'-0"	---	TEMPERED	-	-	-	1,6,8,12,16,20
113E	WORKSHOP	---	G	STEEL	1	20'-0"	10'-0"	---	TEMPERED	-	-	-	1,6,8,12,16,20
113F	WORKSHOP	SET#2	C	HM	1	3'-0"	7'-0"	1 3/4"	---	3	HM	-	4,7,10,14,19,21
113G	WORKSHOP	SET#2	C	HM	1	3'-0"	7'-0"	1 3/4"	---	3	HM	-	4,7,10,14,19,21
114	PART STAGING	---	---	---	---	---	---	---	---	-	-	-	-
115A	DETAIL	J	STEEL	1	18'-0"	9'-0"	---	---	---	-	-	-	-
115B	DETAIL	SET#2	C	HM	1	3'-0"	7'-0"	1 3/4"	HM	-	-	-	4,7,10,14,19,21

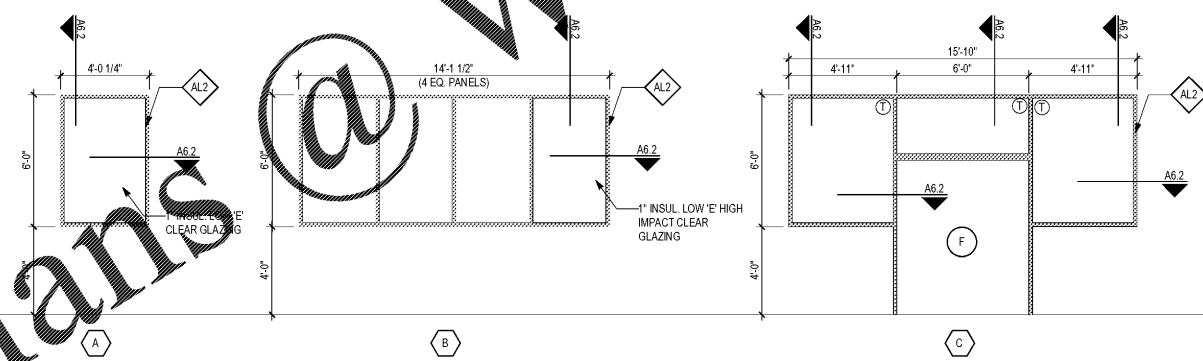
**DOOR FRAME TYPES**



**HARDWARE LIST**

MARK	DESCRIPTION	PRODUCT NUMBER	FINISH
AD	DEADLOCK	MS1850S	313
HA	HINGE	BB1168 4-1/2" X 4-1/2"	US26D
	HINGE	BB1279 4-1/2" X 4-1/2"	US26D
	CONTINUOUS HINGE	780-112HDXLAR	DBA
	CONTINUOUS HINGE	780-224HDXLAR	CLR
	PRIVACY SET WINDICATOR	3896 SECT ARC	US26D
	INTRUDER CLASSROOM LOCK	3495 ARC SFIC	US26D
	OFFICE LOCK	3450 ARC SFIC	US26D
	PASSAGE SET	3410 ARC	US26D
	STOREROOM LOCK	3480 ARC SFIC	US26D
	CYLINDER CORE	3969	US26D
	CYLINDER CORE	3969	US4
	MORTISE CYLINDER HOUSING	3902 SFICXLR	US10B
	DOOR PULL	H 10L TYPE 5 MOUNTING	US32D
	DOOR PULL	H33J4X16	US32D
	PUSH PLATE	30S 6X16	US32D
	SET DOOR PULLS	H22J	US10B
	CLOSER	5200	ALUM
	CLOSER	5200 HDGS	ALUM
	CLOSER	5200X HDGSXSLC	DBZ
	OVERHEAD STOP	7016 SRF	US32D
	KICKPLATE	190S 8"X2" LDW	US32D
	MOP PLATE	190S 4"X1" LDW	US32D
	WALL STOP	232W	US32D
	WALL STOP	236W	US32D
	LATCH GUARD	341D	US32D
	EACH WEATHERSTRIP	881S N 64"	MIL
	RAIN DRIP	717S 40"	MIL
	SEAL	726 X LAR	S
	WEATHERSTRIP	718S V 36"	MIL
	DOOR SWEEP	750SN XLAR	CLR
	THRESHOLD	413S X LAR	MIL
	THRESHOLD	520SN X LAR	MIL
	DOOR SILENCER	307D	GREY

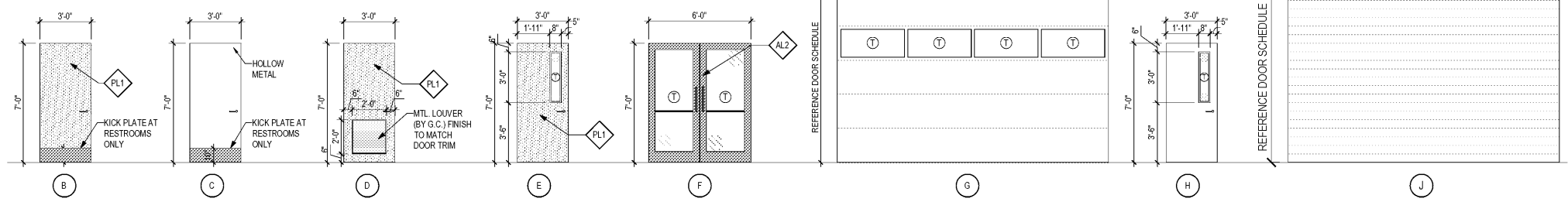
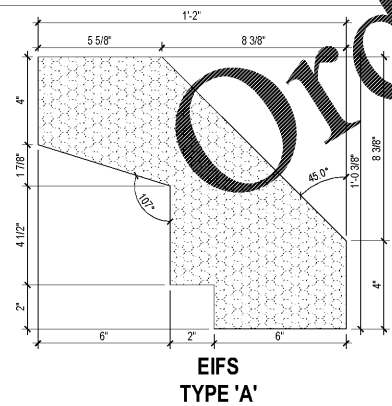
**WINDOW FRAME TYPES**



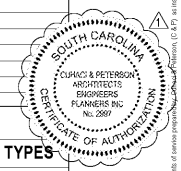
**MATERIAL KEY**

MARK	DESCRIPTION
ALUM	ALUMINUM
CL	CHAIN LINK
HM	HOLLOW METAL
HM-STL	HOLLOW METAL-STEEL
OM	ORNAMENTAL METAL
SP	STEEL PIPE
PR	PAIR
(T)	TEMPERED GLASS
STL	STEEL
KD	KNOCK DOWN

**PROFILES**



**DOOR TYPES**

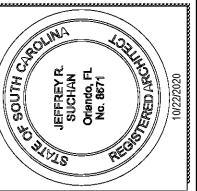


1925 Prospect Ave.  
Orlando, FL 32814  
P (407) 661-9100  
F (407) 661-9101  
www.cp.com  
Florida Corporate Certificate #AA 000626

**Calhoun & Peterson**  
Architects Engineers Planners  
ORLANDO • PHILADELPHIA

CLIENT NAME  
**Cross Development**  
4536 MacArthur Blvd  
Carrilton, TX 75010

PROJECT NAME  
**Caliber Collision Five Forks (161)**  
1215 East Butler Rd  
Greenville, SC 29607



PROJECT NO.	DATE	DRAWN	CHECKED
220057	07/08/2020	JJ	CD

A6.1

BID SET 10/28/2020