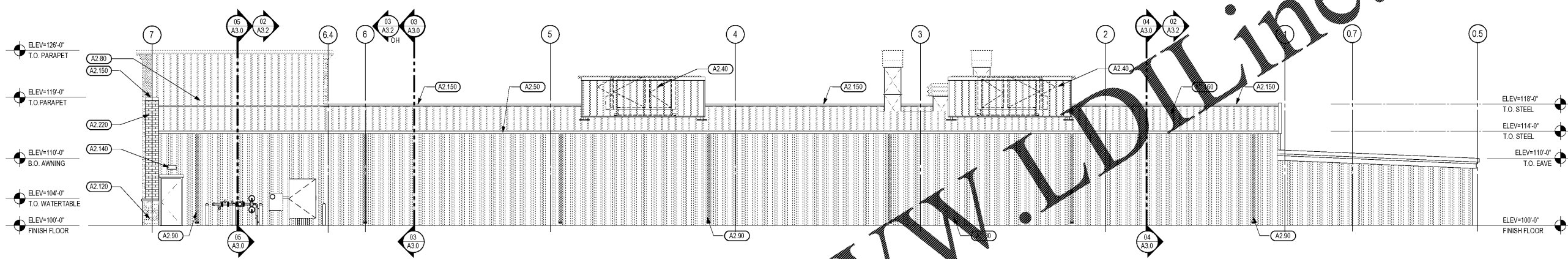


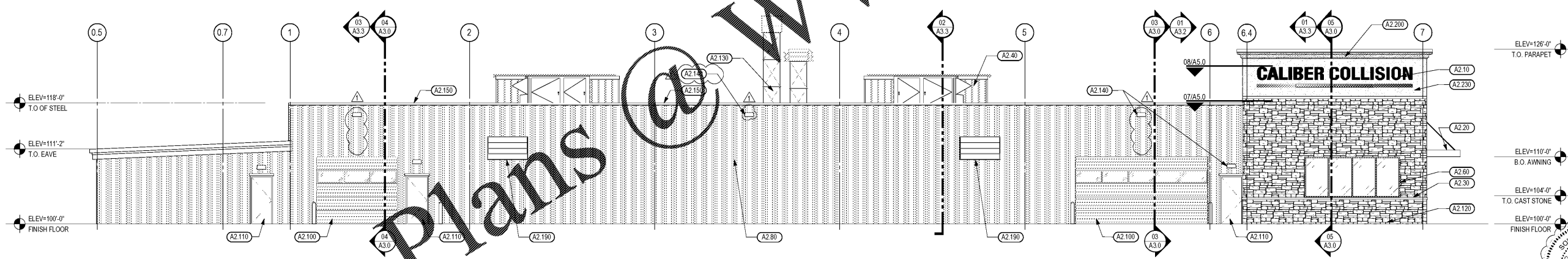
01 EAST ELEVATION
1/8"=1'-0"

KEY NOTES

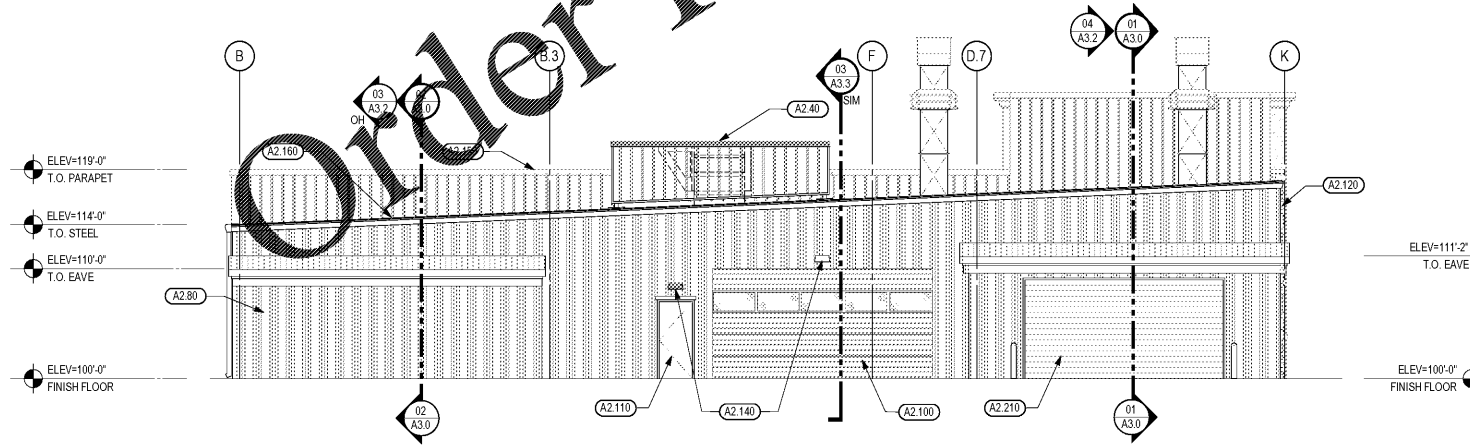
(A2.10) SIGNAGE (BY OTHERS)-PROVIDE 3/4" FLYWD. BACKING (SEPARATE PERMIT)	(A2.140) WALL MOUNTED LIGHT FIXTURE, REF. MEP
(A2.20) PREMANUFACTURED MTL. AWNING W/ TIE RODS BY G.C.	(A2.150) PRE-FINISHED MTL. COPING (ML-2) - PROVIDED BY MTL. BUILDING SUPPLIER AND INSTALLED BY GC.
(A2.30) CAST STONE SILL/WATER TABLE (CS-1)	(A2.160) PRE-FINISH METAL BUILDING 'R' PANEL ROOFING (MTL-1)
(A2.40) RTU SCREENING (BY MTL. BLDG. PROVIDER)	(A2.170) NOT USED
(A2.50) MTL. GUTTER (SLURRY BEIGE)-PROVIDED BY MTL. BUILDING PROVIDER AND INSTALLED BY GC	(A2.180) CONTROL JOINT
(A2.60) STOREFRONT / GLAZING (AL-2)	(A2.190) WALL LOUVER, (CLEAR ANODIZED FINISH) REF. MEP
(A2.70) ROOFLINE BEYOND	(A2.200) EIFS CORNICE (EF-4)
(A2.80) PRE-FINISHED MTL. BUILDING SIDING (MTL-3)	(A2.210) FACTORY FINISH COILING OH DOOR BY DBCI
(A2.90) PRE-FINISHED 6"x4" D (SQUARE) METAL DOWNSPOUT (BURNISHED SLATE)-PROVIDED BY MTL. BUILDING SUPPLIER AND INSTALLED BY GC	(A2.220) EXTERIOR BRICK (M2)
(A2.100) FACTORY FINISHED SECTIONAL OH DOOR (WHITE)	(A2.230) EIFS BANDING COLOR (EF-4)
(A2.110) HOLLOW MTL. DOOR (PT-3) AND FRAME (DARK ANODIZED BRONZE)	
(A2.120) CULTURED STONE VENEER (M-1)	
(A2.130) EXHAUST AND AIR INTAKE, REF. GARMAT SHEETS	



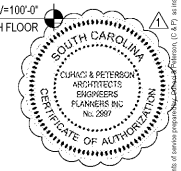
02 NORTH ELEVATION
1/8"=1'-0"



03 SOUTH ELEVATION
1/8"=1'-0"

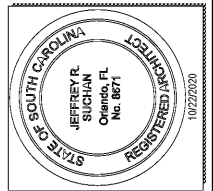


04 WEST ELEVATION
1/8"=1'-0"



CLIENT NAME
Cross Development
4536 Marshall Road
Carrilton, TX 75010

PROJECT NAME
Caliber Collision Five Forks (161)
1215 East Buller Rd
Greenville, SC 29607



RELEASE

PERMIT COMMENTS RESPONSE - 08/22/2020

PROJECT NO. 220087	DATE 07/08/2020	DRAWN J.J. AL	CHECKED CD
-----------------------	--------------------	------------------	---------------

A2.0

BID SET 10/28/2020

1925 Prospect Av.
Orlando, FL 32814
P (407) 661-9100
F (407) 661-9101
www.cp.com
Florida Corporate Certificate #AA 0006256

Caracci & Peterson
Architects Engineers Planners
ORLANDO • PHILADELPHIA

Order Plans @ WWW.LDLine.com