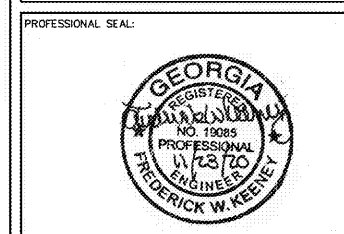


THIS DRAWING IS THE PROPERTY OF MAXDESIGN GROUP. ANY USE NOT IN ACCORDANCE WITH THESE TERMS IS NOT TO BE USED ON ANOTHER PROJECT AND SHALL BE RETURNED WITH SEVERITY.



PROJECT TITLE:
**MARKET PLACE
 AT LOCUST
 GROVE SHOPS
 PHASE 2**
 LOCUST GROVE, GEORGIA

PROJECT INFO:
 4959 BILL GARDNER PARKWAY
 LOCUST GROVE, GA 30248

OWNER:
IP ILG, LLC
 JACOB LANG
 912.655.3438

PRINT RECORD

Description	Date

REVISION

No.	Description	Date

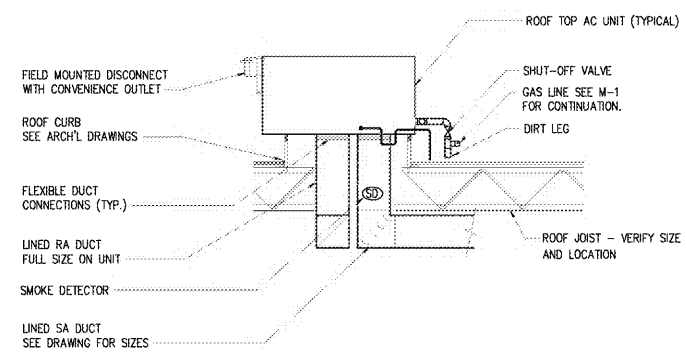
MECHANICAL
 DETAILS & SPECS

Project number: 020-101
 Date: 10/26/2020
 Drawn by: RK
 Checked by: RK

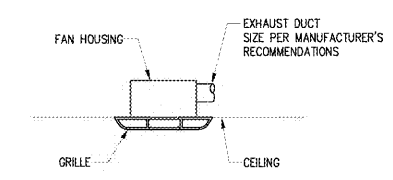
M-102

Scale: AS NOTED

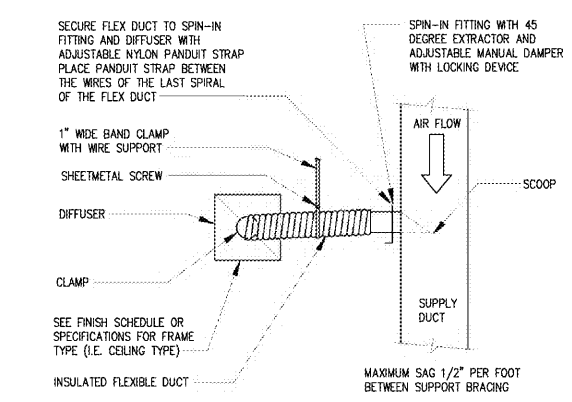
ISSUED FOR CONSTRUCTION



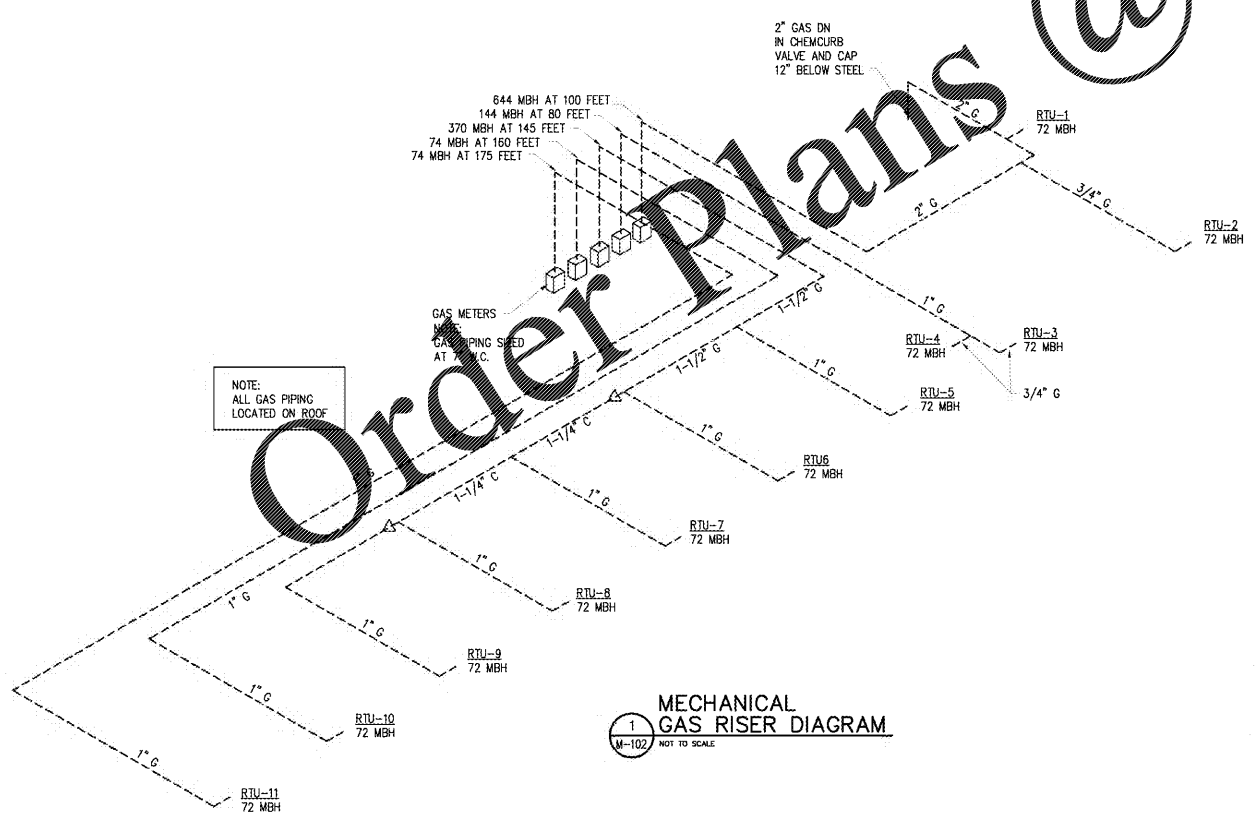
3 ROOFTOP UNIT DETAIL
 M-102 NOT TO SCALE



2 EXHAUST FAN DETAIL
 M-102 NOT TO SCALE



4 DIFFUSER CONNECTION DETAIL
 M-102 NOT TO SCALE



1 MECHANICAL GAS RISER DIAGRAM
 M-102 NOT TO SCALE

MECHANICAL NOTES AND SPECIFICATIONS

- THE CONTRACTOR SHALL PROVIDE A COMPLETE HVAC SYSTEM TO INCLUDE ALL LABOR, MATERIALS, TOOLS, AND EQUIPMENT FOR A COMPLETE AND FUNCTIONAL SYSTEM INCLUDING ALL NECESSARY APPURTENANCES CUSTOMARILY INCLUDED IF NOT SPECIFICALLY CALLED OUT.
- DEVIATION FROM MATERIALS, METHODS AND PROCEDURES SET FORTH HEREIN MUST BE APPROVED IN WRITING. APPROVAL WILL NOT BE GIVEN UNLESS THE PROPOSED SYSTEM IS EQUAL IN PERFORMANCE, DURABILITY, LONGEVITY, AND RELIABILITY TO THAT SPECIFIED.
- ALL WORK SHALL BE PERFORMED IN COMPLIANCE WITH ALL LOCAL, STATE, AND FEDERAL CODES, LAWS, AND ORDINANCES.
- THE CONTRACTOR SHALL VISIT THE JOB SITE AND THOROUGHLY FAMILIARIZE HIMSELF WITH ALL DETAILS OF THE WORK AND THE CONDITIONS AND SHALL VERIFY DIMENSIONS AND CLEARANCES AND BE ASSURED THAT THE EQUIPMENT PURCHASED WILL FIT INTO THE AVAILABLE SPACE.
- SUBMISSION OF A BID OR PROPOSAL SHALL BE CONSTRUED AS EVIDENCE THAT THE CONTRACTOR HAS FAMILIARIZED HIMSELF WITH THE PLANS, SPECIFICATIONS, AND BUILDING SITE. CLAIMS MADE SUBSEQUENT TO BIDS FOR MATERIALS AND/OR LABOR DUE TO DIFFICULTIES ENCOUNTERED WILL NOT BE RECOGNIZED, UNLESS DIFFICULTIES COULD NOT HAVE BEEN FORESEEN EVEN THOUGH PROPER EXAMINATION HAD BEEN MADE.
- THE CONTRACTOR SHALL REVIEW STRUCTURAL DRAWINGS BEFORE FABRICATING OR INSTALLING DUCTWORK OR EQUIPMENT TO AVOID ANY CONFLICTS.
- ALL HARD DUCTWORK SHALL BE FABRICATED OF GALVANIZED STEEL OF THICKNESS AND GAUGES TO CONFORM TO SMACNA DUCT CONSTRUCTION STANDARDS. (RECTANGULAR OR EQUIVALENT ROUND)
- ALL DUCT SHALL BE AIRTIGHT, FREE OF LEAKS, AND SHALL BE INSPECTED FOR LEAKS PRIOR TO INSTALLATION OF FINISHED CEILING SYSTEM.
- DUCTWORK, DAMPERS, LOUVERS, DIFFUSERS, AND OTHER DISTRIBUTION EQUIPMENT AND MATERIALS SHALL CONFORM TO THE FOLLOWING:
 - ASHRAE/ANSI
 - SMACNA
 - NFPA
 - AMCA STANDARDS HANDBOOK 99
 - AIR DIFFUSION COUNCIL TEST CODE 1062R3
 - ANY LOCAL CODES NOT COVERED ABOVE
- ALL DUCT SIZES ARE CLEAR NET INSIDE DIMENSIONS.
- ALL LOW PRESSURE GROUND DUCT AND FLEXIBLE DUCT SHALL BE CONFORMED TO LOW PRESSURE DUCT WITH 1/2 IN FITTINGS AND MANUAL DAMPERS.
- LOW PRESSURE INSULATED FLEXIBLE DUCT SHALL BE SIZED AS SHOWN. SEE R-6 IN CONDENSED AREAS AND R-8 IN UNCONDITIONED AREAS.
- ALL SUPPLY AND RETURN DUCTWORK NOT LINED SHALL BE INSULATED WITH 1-1/2", 3/4" DENSITY FOIL BACKED EXTERNAL INSULATION.
- ALL THERMOSTATS SHALL BE INSTALLED 4'-0" AFF AND SHALL HAVE CLEAR LOCKING COVERS.
- ALL MITERED SUPPLY DUCT ELBOWS SHALL BE PROVIDED WITH TURNING VANES.
- CEILING DIFFUSERS (CD) SHALL BE 24" x 24" TITUS MODEL TMSA OR APPROVED EQUAL. SIZED AS PER DRAWINGS.
- SUPPLY RISER (SR) SHALL BE TITUS MODEL 272RL OR APPROVED EQUAL. SIZED AS PER DRAWINGS.
- RETURN AIR GRILLES (RAG) SHALL BE TITUS 50F EGG-CRATE TYPE, 24" x 24" UNLESS OTHERWISE NOTED.
- UNDERCUT RESTROOM DOORS 3/4" FOR EXHAUST MAKE-UP.
- CONDENSATE DRAIN MUST TERMINATE AT AN APPROVED POINT. VERIFY AT SITE.
- ALL LOW VOLTAGE CONTROL WIRING SHALL BE UNDER THE CONTRACTOR.
- ALL INSULATING MATERIALS SHALL HAVE A COMPOSITE FLAME SPREAD OF 25 AND SMOKE DEVELOPED OF 50 (ASTM E-84, NFPA 255 & UL 723).
- PROGRAMMABLE THERMOSTATS AND OTHER CONTROL ITEMS SHALL BE A COMPATIBLE WITH THE EQUIPMENT MANUFACTURER.
- PROVIDE SMOKE DETECTOR IN SUPPLY AIR DUCTS, OF UNITS SERVING EGRESS CORRIDORS OR CHASES WITH CAPACITY GREATER THAN 2,000 CFM, ARRANGED TO SHUT DOWN UNIT BLOW.
- PROVIDE EXTRACTS AT DUCT TAKE-OFFS AS REQUIRED FOR AIR BALANCING.
- BALANCE ALL SYSTEMS TO PRODUCE THE VOLUMES AND QUANTITIES SHOWN IN THE DRAWINGS OR SPECIFIED.
- THE CONTRACTOR SHALL VERIFY ALL ELECTRICAL CHARACTERISTICS WITH ELECTRICAL DRAWINGS BEFORE PURCHASING EQUIPMENT.
- ALL MECHANICAL EQUIPMENT WHICH HAVE ELECTRICAL CONNECTIONS SHALL BE SUPPLIED WITH DISCONNECT (PROVIDED BY ELECTRICAL CONTRACTOR.)
- OUTSIDE AIR TO AIR HANDLING UNITS SHALL CONFORM 2018 IMC TABLE 403.3. SEE CALCULATIONS.
- GAS PIPING SHALL BE SCHEDULE 40 ASTM A120-84 BLACK STEEL WITH 150# BLACK MALLEABLE FITTINGS AND DART #0832 UNIONS. PROVIDE DRIP LEGS AND CAPS FOR MOISTURE REMOVAL. PROVIDE UNIONS AND LUBRICATED PLUGS FOR ALL EQUIPMENT.
- UPON COMPLETION OF THE WORK, TEST ALL PIPING SYSTEMS AS FOLLOWS:
 - GAS PIPING: 20 PSIG AIR PRESSURE TEST. MAINTAIN THIS PRESSURE FOR A MINIMUM OF EIGHT (8) HOURS WITHOUT A LOSS OF PRESSURE. FOLLOW INSTRUCTIONS 2.11 AND 2.12 IN NFPA MANUAL 54.
- RETESTING: RETEST PIPING FAILING INITIAL TESTS FOLLOWING CORRECTION OF DEFECTIVE WORK. REQUIREMENTS OF INITIAL TESTS SHALL APPLY.

UNIT HEATER SCHEDULE

MARK	SERVICE	CFM	MAX HP	HEATING CAP. (KW)	ELECTRICAL			UNIT WT (LBS)	BASIS OF DESIGN MARKEL	REMARKS
					VOLTAGE	MCA	MOCP			
EBH-A	GENERAL	N/A	N/A	500 W	120/1	4.5	15	4	SERIES RPH	① ②

① DISCONNECT ② INTEGRAL THERMOSTAT

FANS

MARK	SERVICE	TYPE	CFM	WATTS	ESP IN WC	DRIVE	SONES	UNIT WT (LBS)	BASIS OF DESIGN GREENHECK	REMARKS
EF-A	PUBLIC RR	CABINET	70	54	0.1	DIRECT	1.9	8	SP-B80	① ② ③

① BACKDRAFT DAMPER ② DISCONNECT SWITCH ③ CONTROLLED W/LIGHTS

PACKAGED ROOFTOP UNIT (GAS)

MARK	SERVICE	TONS	SEER/EER	CFM	MIN OAT	ESP IN WC	MAX HP	MAX COOLING CAPACITIES (MBH)		HEATING CAPACITY	GAS SERVICE	ELECTRICAL			UNIT WT (LBS)	BASIS OF DESIGN CARRIER	REMARKS
								TOTAL	SENSIBLE			VOLTAGE	MCA	MOCP			
RTU-3,4,7,8	GENERAL	3	14.0	1,200	②	0.6	1.0	35.4	24.4	72 MBH	7" W.C.	208/3	22.0	30	490	48K004	① ③ ⑤
RTU-1,6,9	GENERAL	4	14.0	1,600	②	0.6	1.0	46.6	32.1	72 MBH	7" W.C.	208/3	26.0	30	550	48K005	① ③ ⑤
RTU-5,11	GENERAL	5	14.1	2,000	②	0.6	1.0	57.0	39.3	72 MBH	7" W.C.	208/3	29.0	40	600	48K006	① ③ ⑤ ⑥
RTU-2,10	GENERAL	6	11.2	2,400	②	0.6	2.0	69.3	47.2	72 MBH	7" W.C.	208/3	32.0	50	650	48T007	① ③ ④ ⑤ ⑥

① ROOF CURB ② SEE CALCULATIONS ③ DISPOSABLE 30/30 AIR FILTERS ④ SMOKE DETECTOR INTERLOCKED WITH FIRE CONTROLS
 ⑤ FACTORY INSTALLED PACKAGE WITH UNIT DISCONNECT AND DUAL 115 VOLT GFCI TYPE SERVICE ⑥ ENTHALPY ECONOMIZER