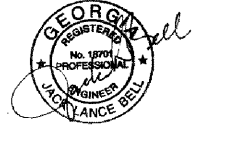


JACK L. BELL, PE  
 2175 Abbottswell Drive  
 Alpharetta, GA 30022  
 Ph: (404) 467-6622  
 jbell@bellllc.com

**MaxDesignGroup**  
 Architecture · Planning · Interiors  
 2862 Buford Highway  
 Suite 106  
 Duluth, Georgia 30096  
 Tel: 770-910-9740  
 Cell: 770-530-5245  
 Email: rmaxian@maxdesigngp.com

THIS DRAWING IS THE PROPERTY OF MAXDESIGN GROUP AND IS NOT TO BE REPRODUCED IN WHOLE OR IN PART. IT IS NOT TO BE USED ON ANOTHER PROJECT AND SHALL BE RETURNED UPON REQUEST.

PROFESSIONAL SEAL:  


PROJECT TITLE:  
**MARKET PLACE AT LOCUST GROVE SHOPS PHASE 2**  
 LOCUST GROVE, GEORGIA

PROJECT INFO:  
 4959 BILL GARDNER PARKWAY  
 LOCUST GROVE, GA 30248

OWNER:  
**IP ILG, LLC**  
**JACOB LANG**  
 912.655.3438

PRINT RECORD

Description	Date
ISSUED FOR CONSTRUCTION	11/23/2020

REVISION

No.	Description	Date

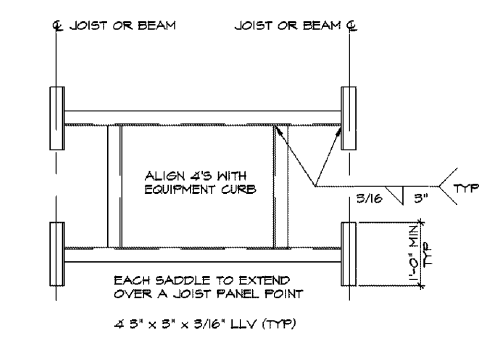
**FRAMING DETAILS**

Project number: D20-101  
 Date: 11/23/2020  
 Drawn by: J.L.B.  
 Checked by: R.M.M.

**S-402**

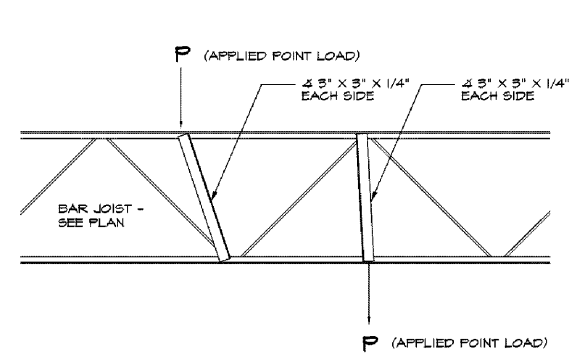
Scale: 3/4" = 1'-0"

ISSUED FOR CONSTRUCTION

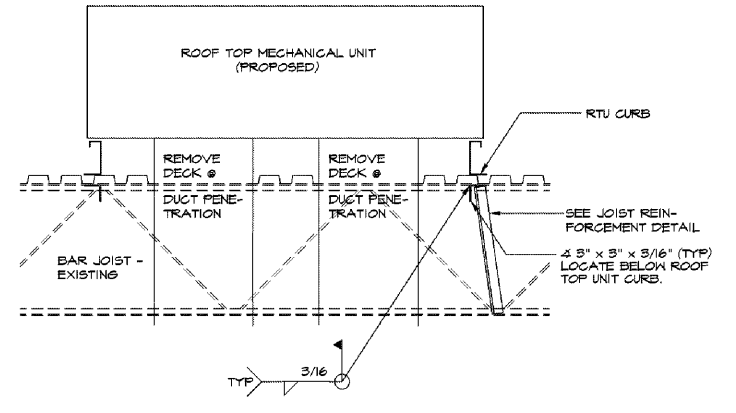


NOTE: CONTRACTOR SHALL COORDINATE LOCATION & SIZE OF ALL ROOF OPENINGS WITH EQUIPMENT SELECTED.

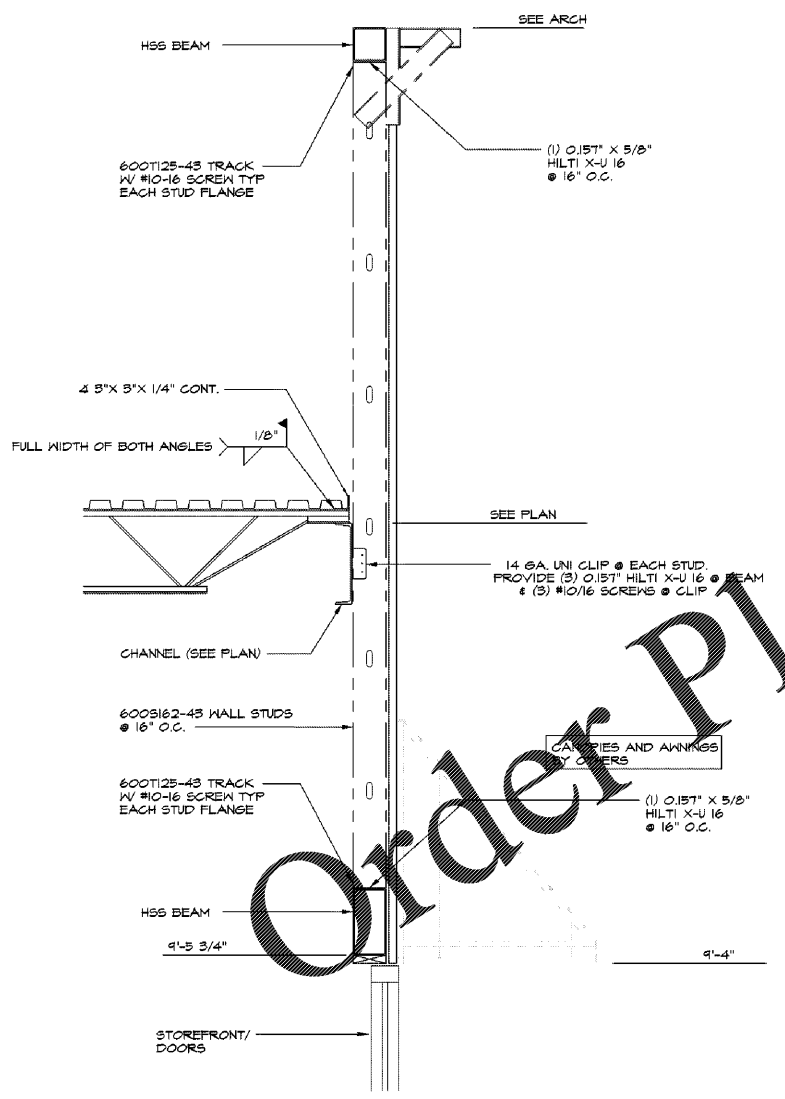
ROOF CURB FRAME DETAIL 4



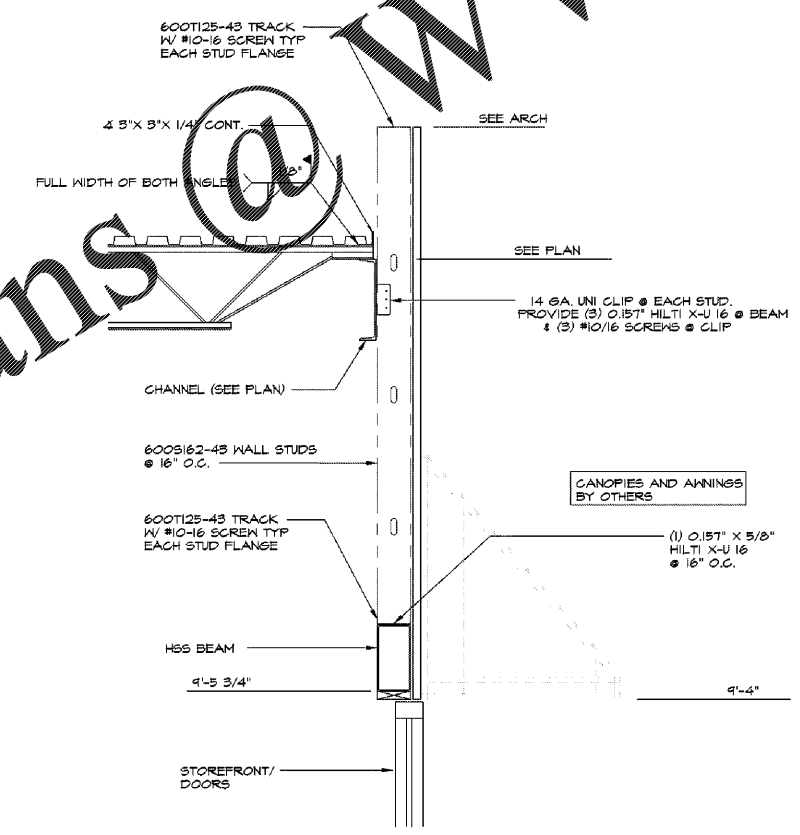
JOIST REINFORCEMENT DETAIL 5



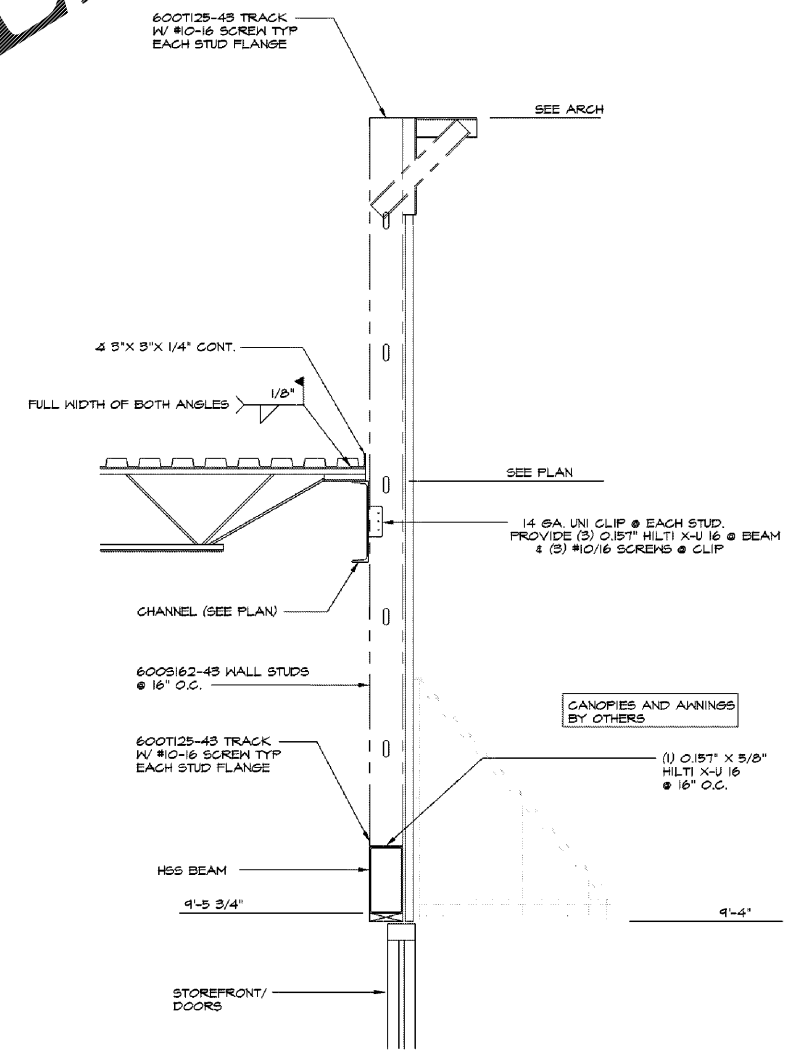
JOIST REINFORCEMENT @ RTU SECTION 6



FRAMING SECTION 3  
 REF: 5/A302



FRAMING SECTION 2  
 REF: 1/A302



FRAMING SECTION 1  
 REF: 2/A301

www.LDILine.com

Order Plans @