

THIS DRAWING IS THE PROPERTY OF MAXDESIGN GROUP, AND IS NOT TO BE REPRODUCED IN WHOLE OR IN PART. IT IS NOT TO BE USED ON ANOTHER PROJECT AND SHALL BE RETURNED UPON REQUEST.

PROFESSIONAL SEAL:



PROJECT TITLE:

**MARKET PLACE
AT LOCUST
GROVE SHOPS
PHASE 2**

LOCUST GROVE, GEORGIA

PROJECT INFO:

4959 BILL GARDNER PARKWAY
LOCUST GROVE, GA 30248

OWNER:

IP ILG, LLC

JACOB LANG

912.655.3438

PRINT RECORD

Description	Date
ISSUED FOR PERMIT	11/23/2020

REVISION

No.	Description	Date

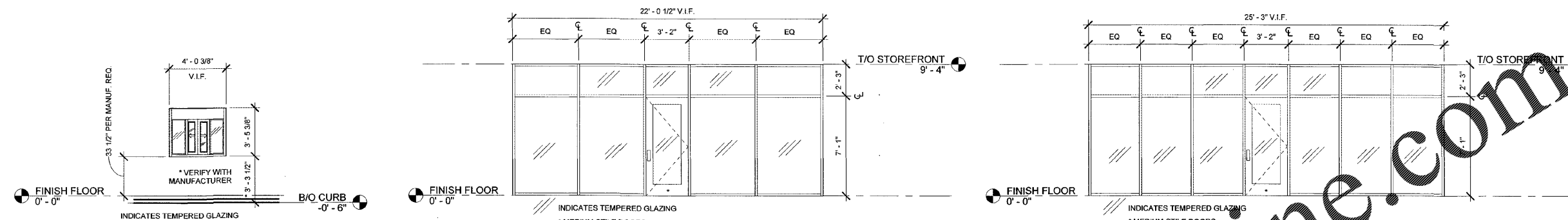
STOREFRONT ELEVATIONS

Project number: D20-101
Date: 10/26/2020
Drawn by: B.C.R.
Checked by: R.M.M.

A-602

Scale: 1/4" = 1'-0"

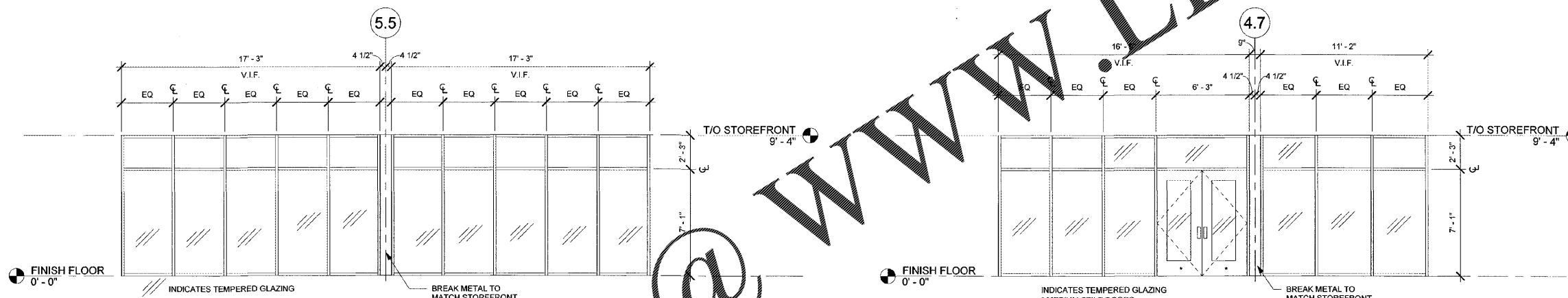
ISSUED FOR CONSTRUCTION



8 DRIVE THRU WINDOW TYPE 'DT'
A-602 SCALE: 1/4" = 1'-0"

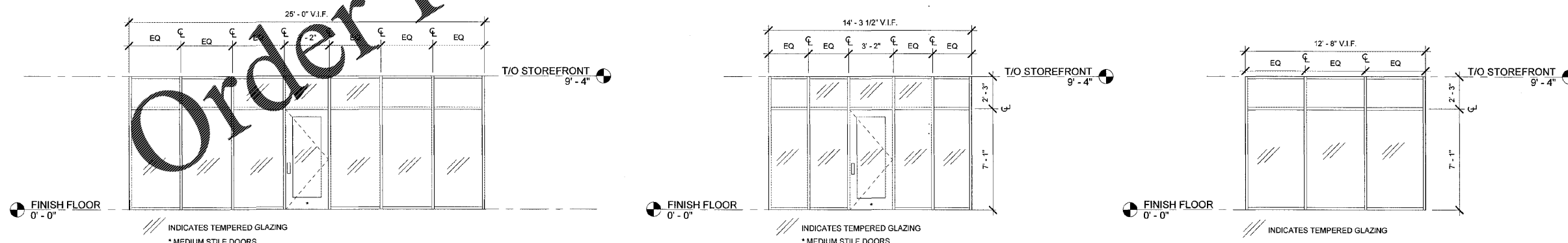
7 WINDOW TYPE 'WI'
A-602 SCALE: 1/4" = 1'-0"

WINDOW TYPE 'WH'
A-602 SCALE: 1/4" = 1'-0"



5 WINDOW TYPE 'WF' AND 'WG'
A-602 SCALE: 1/4" = 1'-0"

4 WINDOW TYPE 'WD' AND 'WE'
A-602 SCALE: 1/4" = 1'-0"



3 WINDOW TYPE 'WC'
A-602 SCALE: 1/4" = 1'-0"

2 WINDOW TYPE 'WB'
A-602 SCALE: 1/4" = 1'-0"

1 WINDOW TYPE 'WA'
A-602 SCALE: 1/4" = 1'-0"

Order Plans @

WWW.LDILINE.COM