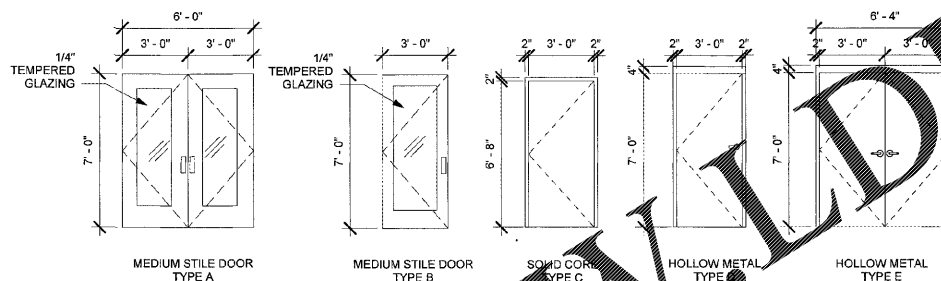


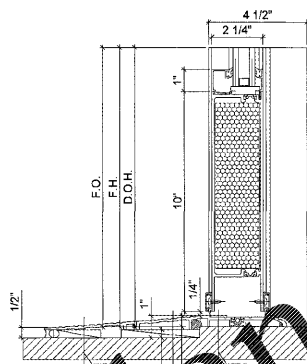
DOOR SCHEDULE											
MARK	HANDING	DESCRIPTION	DOOR TYPE	FINISH	FRAME FINISH	HARDWARE	HEIGHT	WIDTH	THICKNESS	COMMENTS	MARK
1	RHR	ALUM/GLASS STOREFRONT DOOR	B	SEE ELEVATION SHEET	ALUMINUM - DARK BRONZE	SET-1	7'-0"	3'-0"	0" - 1 3/4"	1, 2, 3, 4, 5	1
2	RHR	ALUM/GLASS STOREFRONT DOOR	B	SEE ELEVATION SHEET	ALUMINUM - DARK BRONZE	SET-1	7'-0"	3'-0"	0" - 1 3/4"	1, 2, 3, 4, 5	2
3	RHR	ALUM/GLASS STOREFRONT DOOR	A	SEE ELEVATION SHEET	ALUMINUM - DARK BRONZE	SET-1	7'-0"	6'-0"	0" - 1 3/4"	1, 2, 3, 4, 5	3
4	RHR	ALUM/GLASS STOREFRONT DOOR	B	SEE ELEVATION SHEET	ALUMINUM - DARK BRONZE	SET-1	7'-0"	3'-0"	0" - 1 3/4"	1, 2, 3, 4, 5	4
5	RHR	ALUM/GLASS STOREFRONT DOOR	B	SEE ELEVATION SHEET	ALUMINUM - DARK BRONZE	SET-1	7'-0"	3'-0"	0" - 1 3/4"	1, 2, 3, 4, 5	5
6	RHR	HOLLOW METAL DOOR	D	SEE ELEVATION SHEET	PAINT - SEE ELEVATIONS	SET-2	7'-0"	3'-0"	0" - 1 3/4"	1, 2, 3, 4	6
7	LHR	HOLLOW METAL DOOR	D	SEE ELEVATION SHEET	PAINT - SEE ELEVATIONS	SET-2	7'-0"	3'-0"	0" - 1 3/4"	1, 2, 3, 4	7
8	LHR	HOLLOW METAL DOOR	D	SEE ELEVATION SHEET	PAINT - SEE ELEVATIONS	SET-2	7'-0"	3'-0"	0" - 1 3/4"	1, 2, 3, 4	8
9	LHR	INSULATED HOLLOW METAL DOOR	D	SEE ELEVATION SHEET	PAINT - SEE ELEVATIONS	SET-5	7'-0"	3'-0"	0" - 1 3/4"	1, 2	9
10	RHR	HOLLOW METAL DOOR	E	SEE ELEVATION SHEET	PAINT - SEE ELEVATIONS	SET-4	7'-0"	6'-0"	0" - 1 3/4"	1, 2, 3	10
11	LHR	HOLLOW METAL DOOR	D	SEE ELEVATION SHEET	PAINT - SEE ELEVATIONS	SET-2	7'-0"	3'-0"	0" - 1 3/4"	1, 2, 3, 4	11
12	RHR	HOLLOW METAL DOOR	D	SEE ELEVATION SHEET	PAINT - SEE ELEVATIONS	SET-2	7'-0"	3'-0"	0" - 1 3/4"	1, 2, 3, 4	12
13	RH	SOLID CORE WOOD DOOR	C	STAIN GRADE DOOR	NO FINISH	SET-3	6'-8"	3'-0"	0" - 1 3/4"	2, 3	13
15	LH	SOLID CORE WOOD DOOR	C	STAIN GRADE DOOR	NO FINISH	SET-3	6'-8"	3'-0"	0" - 1 3/4"	2, 3	15
16	RH	SOLID CORE WOOD DOOR	C	STAIN GRADE DOOR	NO FINISH	SET-3	6'-8"	3'-0"	0" - 1 3/4"	2, 3	16

DOOR SCHEDULE NOTES:

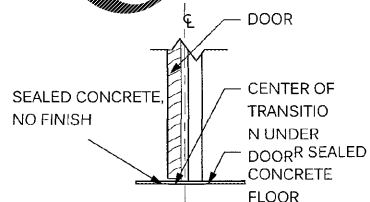
- THRESHOLDS SHALL BE NO HIGHER THAN 1/2" AFF. EDGE TO BE BEVELED WITH A SLOPE NO GREATER THAN 1 IN 2.
- ALONG ACCESSIBLE PATH OF TRAVEL AND AT EGRESS CONDITIONS, DOOR HARDWARE SHALL BE OF THE LEVER OR PUSH TYPE, MOUNTED 30" TO 44" AFF AND OPERABLE WITH A MAXIMUM EFFORT OF 5 LB. FOR INTERIOR DOORS & 8.5 LB. FOR EXTERIOR DOORS.
- PROVIDE 18" CLEAR SPACE ON STRIKE/PULL SIDE OF DOORS. PROVIDE 12" CLEAR SPACE ON STRIKE/PUSH SIDE OF DOORS WITH LATCHES AND/OR CLOSERS.
- EXIT DOORS SHALL BE OPERABLE FROM THE INSIDE WITHOUT THE USE OF A KEY, TOOL, OR SPECIAL KNOWLEDGE OR EFFORT.
- PROVIDE 6" HIGH ADDRESS ABOVE FRONT DOORS - VERIFY SIZE WITH LOCAL AUTHORITIES - COLOR(S) TO CONTRAST WITH BACKGROUND(S). REAR DOOR SIGNAGE PER LANDLORD REQUIREMENTS WHEN REQUIRED BY LOCAL JURISDICTIONS.
- SEE DETAILS 3, 4, 7/A-601 FOR DOOR THRESHOLD DETAILS.



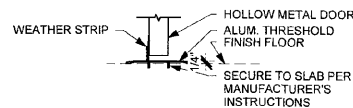
8 DOOR TYPES
A-601 SCALE: 1/4" = 1'-0"



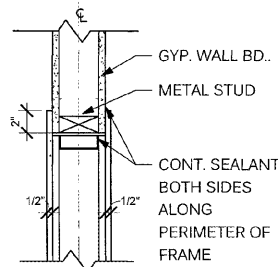
7 STOREFRONT DOOR THRESHOLD
A-601 SCALE: 3/8" = 1'-0"



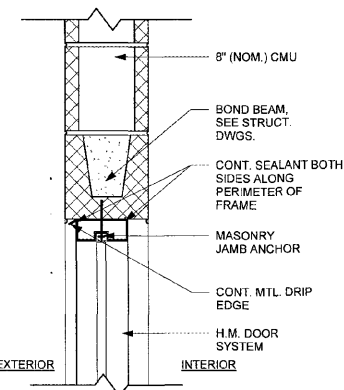
4 DETAIL AT THRESHOLD
A-601 SCALE: 1 1/2" = 1'-0"



3 DETAIL AT METAL THRESHOLD
A-601 SCALE: 1 1/2" = 1'-0"

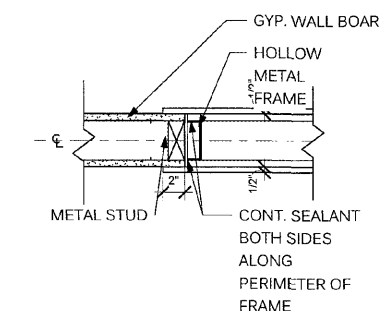


6 DETAIL AT HEAD JAMB
A-601 SCALE: 1 1/2" = 1'-0"

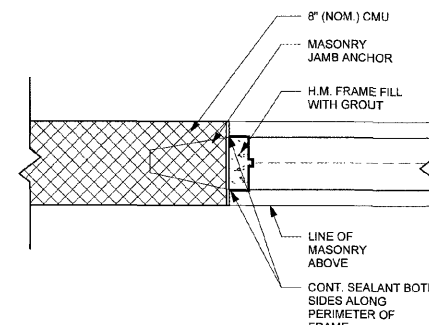


2 DOOR HEAD DETAIL
A-601 SCALE: 1 1/2" = 1'-0"

DOOR HARDWARE	
SET-1	SINGLE PIVOTS US26D SINGLE CYLINDER STRIKE US ALUM US26D SIZE 2 SURFACE MOUNTED HYDRAULIC CLOSURE EXTERIOR PULL HANDLE WITH KEYPED CYLINDER EXTERIOR THUMB TURN INTERIOR PUSH BARS DOOR SILENCERS WEATHERSTRIP/THRESHOLD/SWEEP
SET-2	1 1/2 PAIR 4 1/2" X 4 1/2" US26D BUTT HINGES (NRP) CAL ROYAL OR EQUAL KEYPED LEVER LOCK SET (US26D) SIZE 2 SURFACE MOUNTED HYDRAULIC CLOSER LATCH GUARD DOORSCOPE DS/1000 MG - 180 DEGREE REVERSE VIEWER RUBBER DOOR SILENCERS WEATHERSTRIP & THRESHOLD DRIP CAP
SET-3	1 1/2 PAIR 4 1/2" X 4 1/2" US26D BUTT HINGES CAL ROYAL OR EQUAL PRIVACY SET (US26D) RUBBER DOOR SILENCERS WALL MOUNTED DOOR STOP (US26D) 12" BRUSHED ALUMINUM KICK-PLATE ON PUSH SIDE OF DOOR
SET-4	3 PAIR 4 1/2" X 4 1/2" US26D BUTT HINGES (NRP) RUBBER DOOR SILENCERS LATCH GUARD ACTIVE LEAF - CAL ROYAL OR EQUAL KEYPED LEVER LOCK SET WITH DOORSCOPE DS/1000 MG - 180 DEGREE REVERSE VIEWER SURFACE MOUNTED METAL T-ASTRAGAL, US26D INACTIVE LEAF - 1 SURFACE MOUNTED HEAD BOLT, 1 SURFACE MOUNTED FOOT BOLT, US26D
SET-5	1 1/2 PAIR 4 1/2" X 4 1/2" US26D BUTT HINGES (NRP) CAL ROYAL OR EQUAL KEYPED LEVER LOCK SET (US26D) SIZE 2 SURFACE MOUNTED HYDRAULIC CLOSURE LATCH GUARD RUBBER DOOR SILENCERS WEATHERSTRIP & THRESHOLD DRIP CAP
SET-6	SINGLE PIVOTS US26D SINGLE CYLINDER STRIKE US ALUM US26D SIZE 2 SURFACE MOUNTED HYDRAULIC CLOSURES EXTERIOR PULL HANDLES WITH KEYPED CYLINDER INTERIOR PUSH BARS DOOR SILENCERS WEATHERSTRIP/THRESHOLD/SWEEPS



5 DETAIL AT JAMB
A-601 SCALE: 1 1/2" = 1'-0"



1 DOOR JAMB DETAIL
A-601 SCALE: 1 1/2" = 1'-0"

THIS DRAWING IS THE PROPERTY OF MAXDESIGN GROUP, AND IS NOT TO BE REPRODUCED IN WHOLE OR IN PART. IT IS NOT TO BE USED ON ANOTHER PROJECT AND SHALL BE RETURNED UPON REQUEST.

PROFESSIONAL SEAL:



PROJECT TITLE:

**MARKET PLACE
AT LOCUST
GROVE SHOPS
PHASE 2**

LOCUST GROVE, GEORGIA

PROJECT INFO:

4959 BILL GARDNER PARKWAY
LOCUST GROVE, GA 30248

OWNER:

IP ILG, LLC

JACOB LANG

912.655.3438

PRINT RECORD

Description	Date
ISSUED FOR PERMIT	11.23.2020

REVISION

No.	Description	Date

**DOOR SCHEDULE AND
DETAILS**

Project number: D20-101
Date: 10/26/2020
Drawn by: B.C.R.
Checked by: R.M.M.

A-601

Scale: As indicated

ISSUED FOR CONSTRUCTION

Order Plans @ WWW.WLDILLING.COM