

THIS DRAWING IS THE PROPERTY OF MAXDESIGN GROUP AND IS NOT TO BE REPRODUCED IN WHOLE OR IN PART. IT IS NOT TO BE USED ON ANOTHER PROJECT AND SHALL BE RETURNED UPON REQUEST.

PROFESSIONAL SEAL:



PROJECT TITLE:

**MARKET PLACE  
AT LOCUST  
GROVE SHOPS  
PHASE 2**

LOCUST GROVE, GEORGIA

PROJECT INFO:

4959 BILL GARDNER PARKWAY  
LOCUST GROVE, GA 30248

OWNER:

**IP ILG, LLC**

**JACOB LANG**

912.655.3438

PRINT RECORD

Description	Date
ISSUED FOR PERMIT	11.23.2020

REVISION

No.	Description	Date

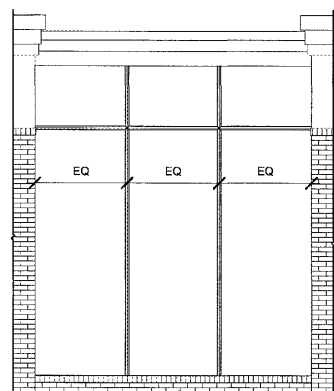
**SECTION DETAILS**

Project number	D20-101
Date	10/26/2020
Drawn by	B.C.R.
Checked by	R.M.M.

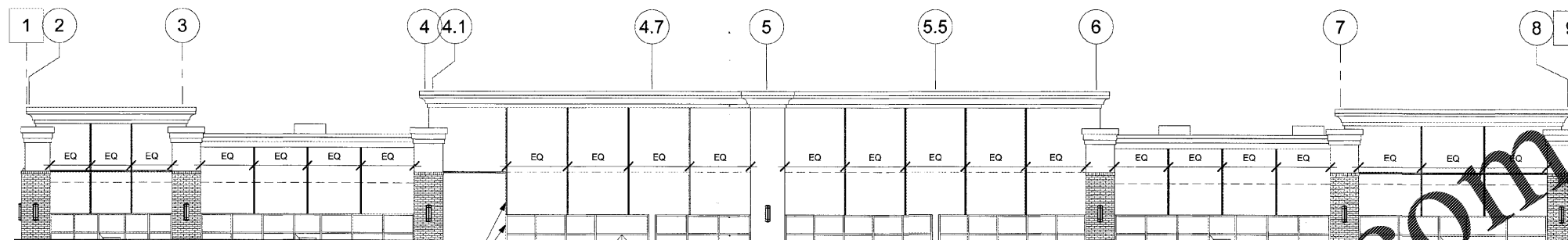
**A-501**

Scale As indicated

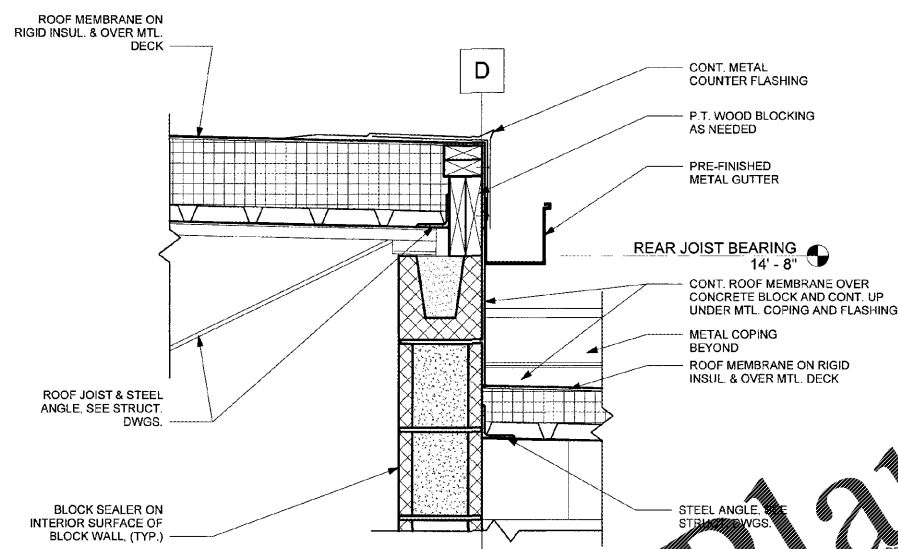
ISSUED FOR CONSTRUCTION



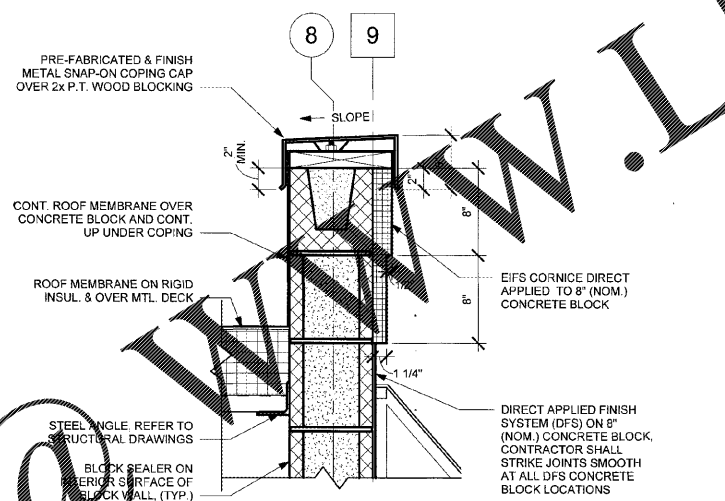
**9 SIDE ELEVATION REVEAL LOCATIONS**  
A-501 SCALE: 1/4" = 1'-0"



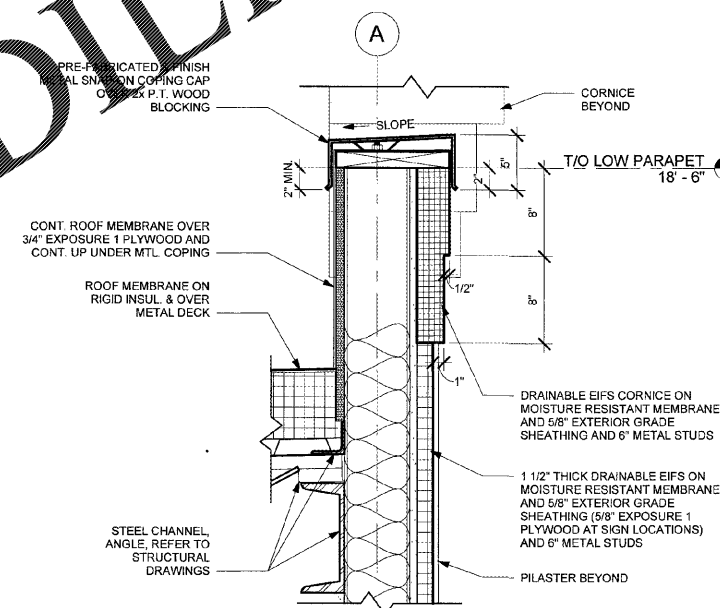
**7 FRONT ELEVATION REVEAL LOCATIONS**  
A-501 SCALE: 1/8" = 1'-0"



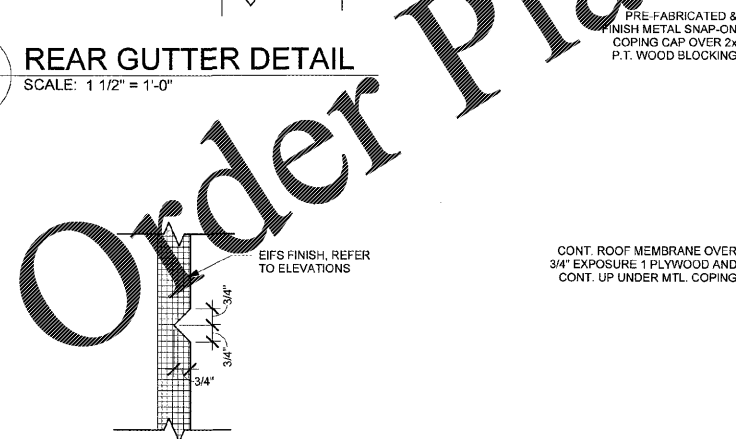
**6 REAR GUTTER DETAIL**  
A-501 SCALE: 1 1/2" = 1'-0"



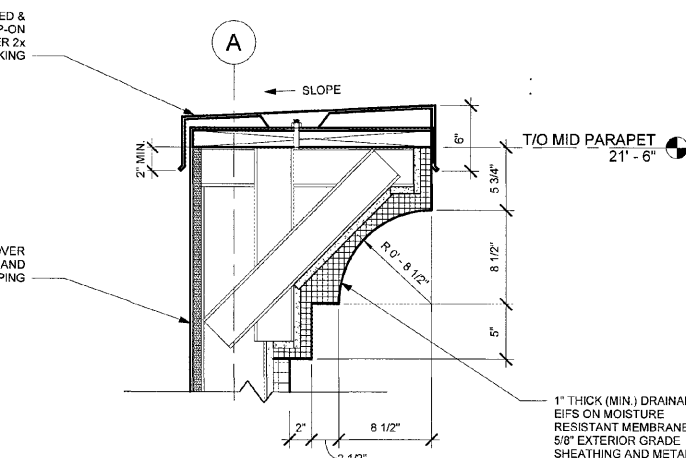
**5 LOW PARAPET CORNICE DETAIL AT CMU WALL**  
A-501 SCALE: 1 1/2" = 1'-0"



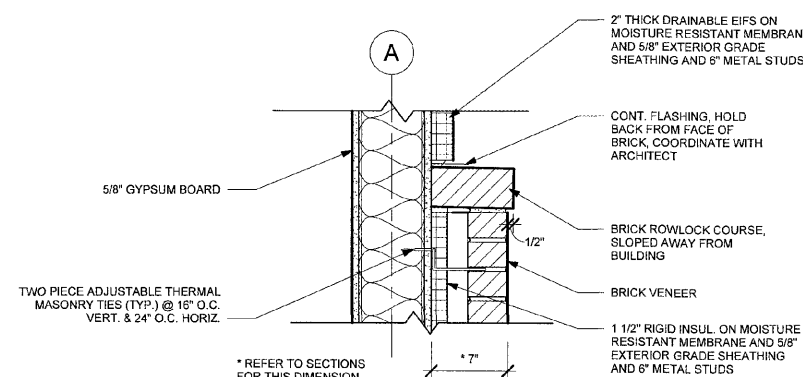
**4 LOW PARAPET CORNICE DETAIL**  
A-501 SCALE: 1 1/2" = 1'-0"



**3 REVEAL DETAIL**  
A-501 SCALE: 3" = 1'-0"



**2 CORNICE DETAIL AT MID PARAPET**  
A-501 SCALE: 1 1/2" = 1'-0"



**1 PILASTER ROLLOCK DETAIL**  
A-501 SCALE: 1 1/2" = 1'-0"

Order Plans @ [www.LDILine.com](http://www.LDILine.com)