

THIS DRAWING IS THE PROPERTY OF MAXDESIGN GROUP AND IS NOT TO BE REPRODUCED IN WHOLE OR IN PART. IT IS NOT TO BE USED ON ANOTHER PROJECT AND SHALL BE RETURNED UPON REQUEST.

PROFESSIONAL SEAL:
RICHARD M. MAXIAN
REGISTERED ARCHITECT
11/30/2020

PROJECT TITLE:
MARKET PLACE AT LOCUST GROVE SHOPS PHASE 2
LOCUST GROVE, GEORGIA

PROJECT INFO:
4959 BILL GARDNER PARKWAY
LOCUST GROVE, GA 30248

OWNER:
IP ILG, LLC

JACOB LANG
912.655.3438

PRINT RECORD

Description	Date
ISSUED FOR PERMIT	11.23.2020

REVISION

No.	Description	Date

ENLARGED PLAN AND RESTROOM DETAILS

Project number: D20-101
Date: 10/26/2020
Drawn by: B.C.R.
Checked by: R.M.M.

A-402

Scale: As indicated

ISSUED FOR CONSTRUCTION

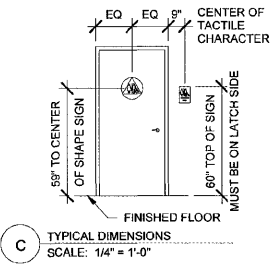
RESTROOM ACCESSORIES

RE-1	RESTROOM WALL MOUNTED LAVATORY - SEE PLUMBING DWGS. WITH WALL MOUNTED MIRROR, CENTER ABOVE SINK - BOBRICK MODEL B-2908 (24" x 36")
RE-2	FLOOR MOUNTED WATER CLOSET - SEE PLUMBING DWGS.
RE-3	HI-LO DRINKING FOUNTAIN - SEE PLUMBING DWGS.
RE-4	WALL MOUNTED TOILET PAPER DISPENSER - BOBRICK MODEL B-2740
RE-5	WALL MOUNTED PAPER TOWEL DISPENSER - BOBRICK MODEL B-282
RE-6	METAL GRAB BAR - 3'-0" LONG, MOUNTED AT 36" A.F.F. TO TOP OF GRIPPING SURFACES
RE-7	METAL GRAB BAR - 3'-6" LONG, MOUNTED AT 36" A.F.F. TO TOP OF GRIPPING SURFACES
RE-8	METAL GRAB BAR - 1'-6" LONG, VERTICALLY MOUNTED AT 40" A.F.F.
RE-9	CEILING MOUNTED EXHAUST FAN, SEE MECH. FOR DETAILS
RE-10	RECESSED CEILING LIGHT FIXTURE - SEE ELECTRICAL DWGS.
RE-11	WALL MOUNTED ADA SIGNAGE - APPROVED BY LOCAL FIRE MARSHAL, SEE NOTE 4

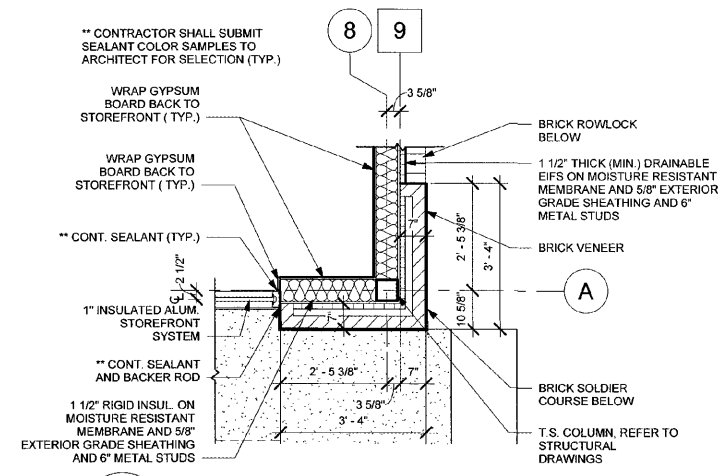
- RESTROOM GENERAL NOTES:**
- WRAP & INSULATE ALL EXPOSED PIPES TO MEET ALL GOVERNING CODES.
 - REQUIRED DOOR CLEARANCES VARY BY APPROACH AND HARDWARE. VERIFY CLEARANCES ARE IN COMPLIANCE WITH THE CURRENT ACCEPTED ACCESSIBILITY CODE.
 - TOILET FLUSH CONTROLS SHALL BE INSTALLED IN ACCORDANCE WITH THE CURRENT ACCEPTED ACCESSIBILITY CODE AND SHALL NOT REQUIRE GRASPING, PINCHING OR TWISTING OF THE WRIST. CONTROLS FOR FLUSH VALVES SHALL BE MOUNTED ON THE WIDE SIDE OF THE TOILET AREAS, NO MORE THAN 44 INCHES ABOVE THE FLOOR.
 - SIGNAGE FOR RESTROOMS SHALL BE RAISED AND INCLUDE BRAILLE CHARACTERS AND PICTORIAL SYMBOLS. SIGNS SHALL BE INSTALLED ON WALL ADJACENT TO THE LATCH SIDE OF THE DOOR, WHERE THERE IS NO WALL SPACE ADJACENT TO THE LATCH SIDE OF THE DOOR, INCLUDING AT DOUBLE LEAF DOORS, SIGNS SHALL BE PLACED ON THE NEAREST ADJACENT WALL. MOUNTING HEIGHT SHALL BE 60" ABOVE THE FINISH FLOOR TO THE CENTERLINE OF THE SIGN.
 - DOORS, FIXTURES, AND ACCESSORIES SHALL BE INSTALLED IN ACCORDANCE WITH THE CURRENT ACCEPTED ACCESSIBILITY CODE.
 - PROVIDE WOOD BLOCKING IN STUD WALLS AND ANCHORING IN CONCRETE BLOCK WALLS FOR ALL WALL HUNG DEVICES (TYP.).
 - ALL DIMENSIONS ARE TAKEN FROM FACE OF FINISH.

SIGNAGE NOTES:

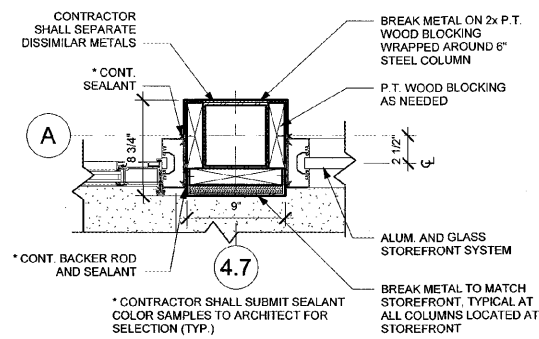
- SIGNS PROVIDED BY G.C. TO COMPLY WITH CA TITLE 24 REQUIREMENTS FOR ADA SIGNAGE AND WILL BE USED IN ALL STORES. SIGNS TO BE INSTALLED BY G.C.
- COMPLIANCE SIGNS, COM ADA RESTROOM: RRE-120 DCTS, WHTONCHGRY PAIRED SET, SIZE: 12" CIRCLE / 9" X 6" W. WHITE LETTERS ON CHARCOAL GRAY BACKGROUND
- WHERE PERMANENT IDENTIFICATION IS PROVIDED FOR ROOMS AND SPACES, SIGNS SHALL BE INSTALLED ON THE WALL ADJACENT TO THE LATCH SIDE OF THE DOOR, WHERE THERE IS NO WALL SPACE TO THE LATCH SIDE OF THE DOOR, INCLUDING AT DOUBLE LEAF DOORS, SIGNS SHALL BE PLACED ON THE NEAREST ADJACENT WALL. TACTILE CHARACTERS SHALL BE MOUNTED 48" MINIMUM TO BASELINE OF LOWEST TACTILE CHARACTER AND 60" MAXIMUM TO BASELINE OF HIGHEST TACTILE CHARACTER. A CLEAR FLOOR SPACE OF 18" BY 18" MINIMUM CENTERED ON TACTILE CHARACTERS SHALL BE PROVIDED BEYOND THE ARC OF THE DOOR SWING.
- RESTROOM DOOR SYMBOL SHALL BE IN CONTRASTING COLOR TO SIGN BACKGROUND.



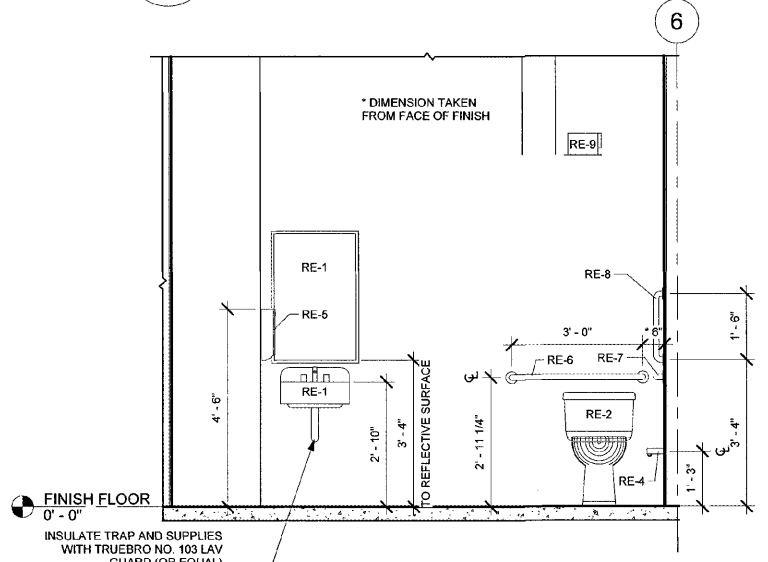
9 RESTROOM SIGNAGE INFO UNISEX
A-402 N.T.S.



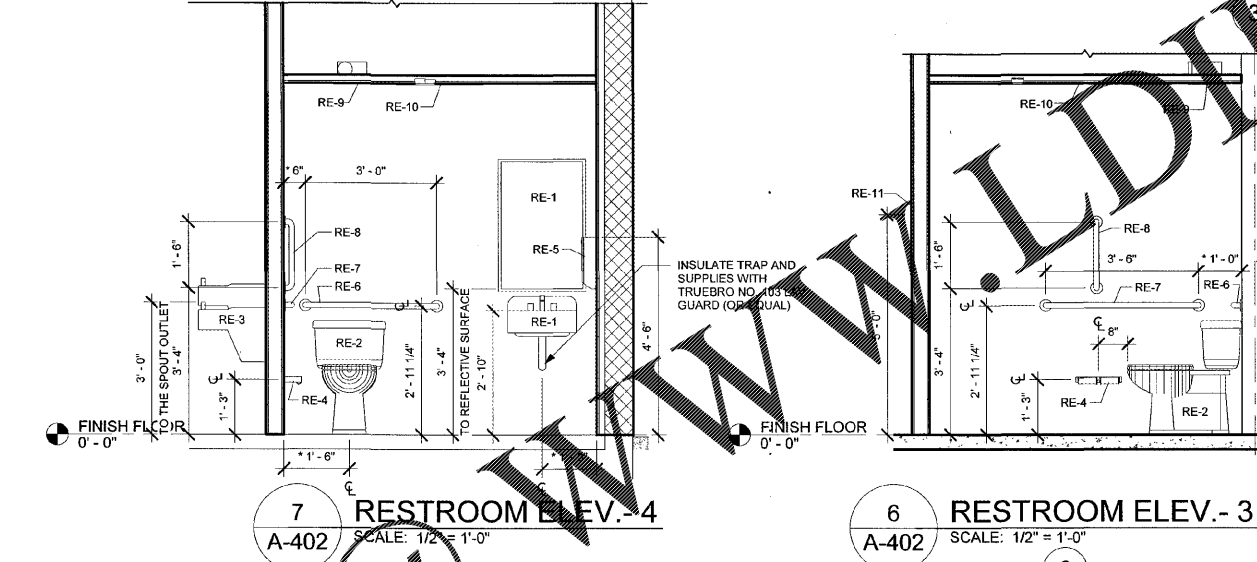
10 FRONT CORNER DETAIL
A-402 SCALE: 1/2" = 1'-0"



11 COLUMN WRAP DETAIL
A-402 SCALE: 1 1/2" = 1'-0"

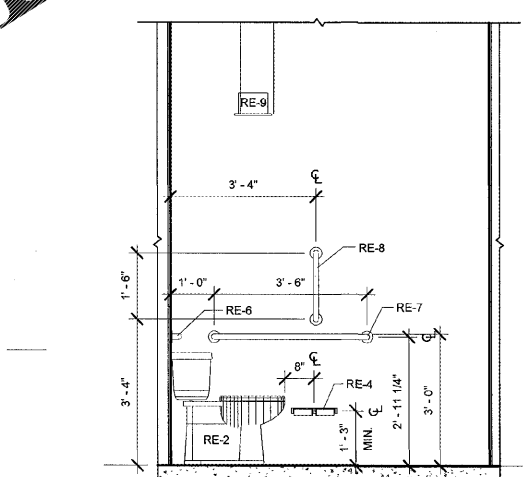


8 RESTROOM ELEV.- 5
A-402 SCALE: 1/2" = 1'-0"

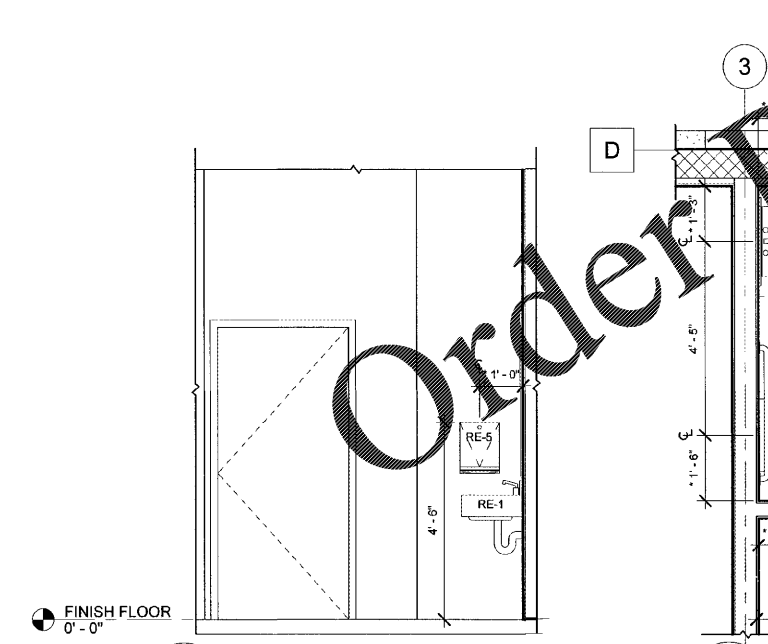


7 RESTROOM ELEV.- 4
A-402 SCALE: 1/2" = 1'-0"

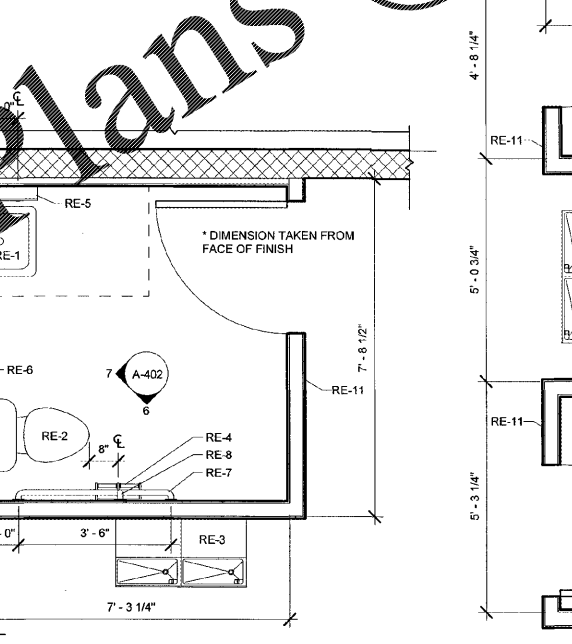
6 RESTROOM ELEV.- 3
A-402 SCALE: 1/2" = 1'-0"



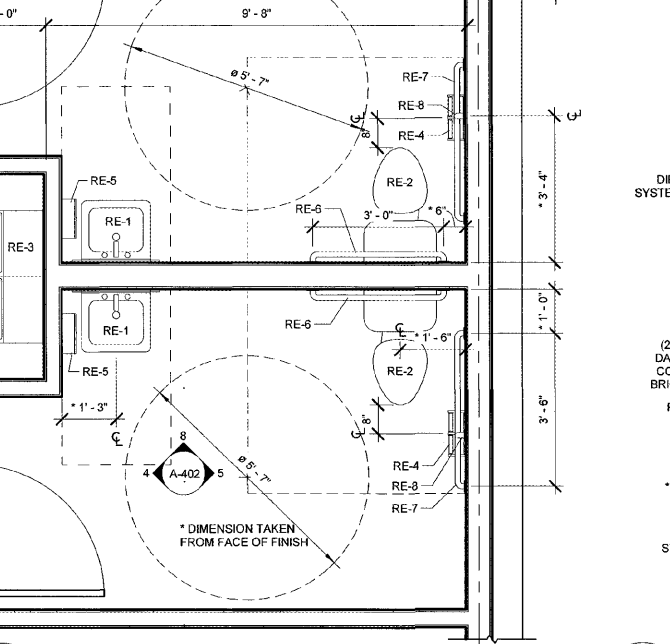
5 RESTROOM ELEV.- 2
A-402 SCALE: 1/2" = 1'-0"



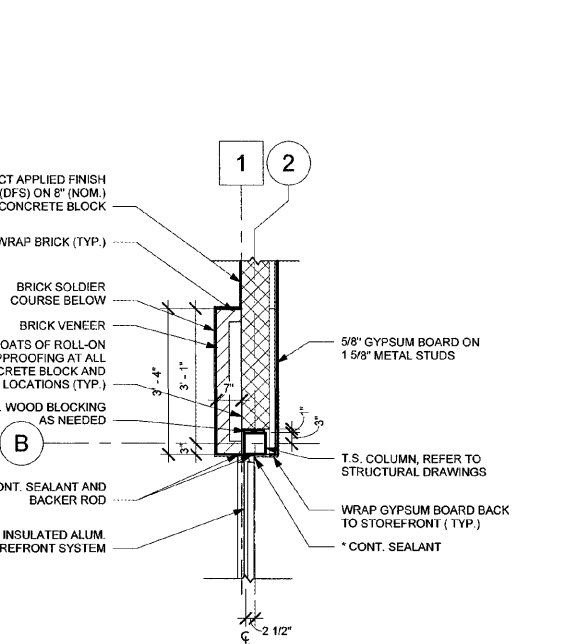
4 RESTROOM ELEV.- 1
A-402 SCALE: 1/2" = 1'-0"



3 SINGLE RESTROOM PLAN
A-402 SCALE: 1/2" = 1'-0"



2 DOUBLE RESTROOM PLAN
A-402 SCALE: 1/2" = 1'-0"



1 PILASTER ON CMU W/ GYP. BD. DETAIL
A-402 SCALE: 1/2" = 1'-0"

Order Plans @

WWW.DRILLING.COM