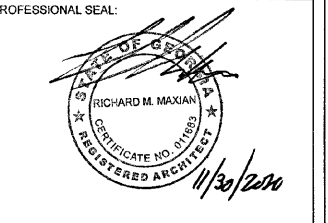


THIS DRAWING IS THE PROPERTY OF MAXDESIGN GROUP, AND IS NOT TO BE REPRODUCED IN WHOLE OR IN PART. IT IS NOT TO BE USED ON ANOTHER PROJECT AND SHALL BE RETURNED UPON REQUEST.



PROJECT TITLE:

**MARKET PLACE
AT LOCUST
GROVE SHOPS
PHASE 2**

LOCUST GROVE, GEORGIA

PROJECT INFO:
4959 BILL GARDNER PARKWAY
LOCUST GROVE, GA 30248

OWNER:
IP ILG, LLC

JACOB LANG
912.655.3438

PRINT RECORD

Description	Date
ISSUED FOR PERMIT	11.23.2020

REVISION

No.	Description	Date

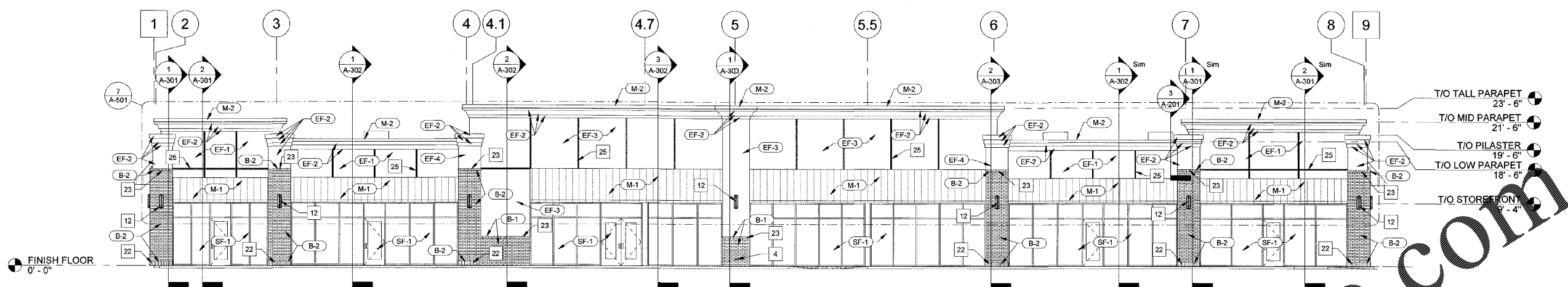
**EXTERIOR BUILDING
ELEVATIONS**

Project number: D20-101
Date: 10/26/2020
Drawn by: B.C.R.
Checked by: R.M.M.

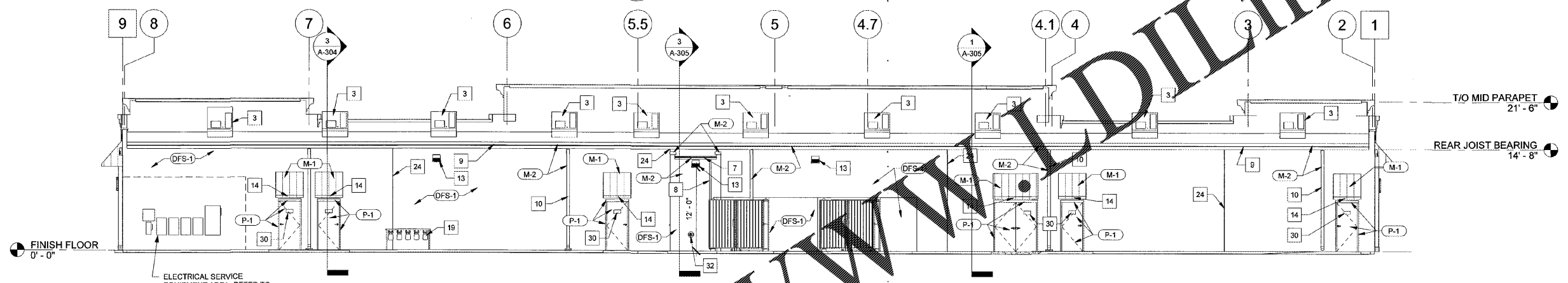
A-201

Scale: As indicated

ISSUED FOR CONSTRUCTION



1 FRONT ELEVATION
A-201 SCALE: 1/8" = 1'-0"



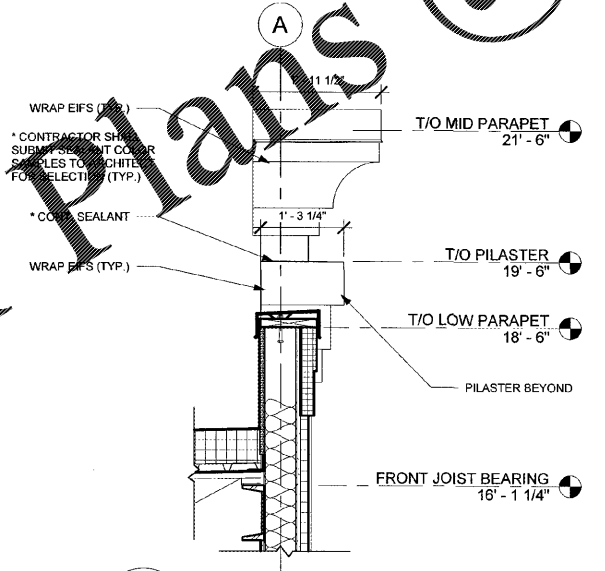
2 REAR ELEVATION
A-201 SCALE: 1/8" = 1'-0"

EXTERIOR FINISH SCHEDULE

MARK	CATEGORY	MANUF.	DESCRIPTION
B-1	BRICK VENEER	CHEROKEE	MODULAR BRICK COLOR: "SAVANNAH GRAYS" w/COOSA "LIMESTONE BEIGE" MORTAR, TOOLED JOINTS
B-2	BRICK VENEER	CHEROKEE	MODULAR BRICK COLOR: "BROOKHAVEN" w/COOSA "LIMESTONE BEIGE" MORTAR, TOOLED JOINTS
DFS-1	DIRECT-APPLIED FINISH SYSTEM (DFS)	DRYVIT	FINISH SANDBLAST, COLOR TO MATCH: SW 6107 "NOMADIC DESERT"
EF-1	EXTERIOR INSULATION AND FINISH SYSTEMS (EIFS)	DRYVIT	FINISH SANDBLAST, COLOR TO MATCH: SW 6107 "NOMADIC DESERT"
EF-2	EXTERIOR INSULATION AND FINISH SYSTEMS (EIFS)	DRYVIT	FINISH SANDBLAST, COLOR TO MATCH: SW 7005 "PURE WHITE"
EF-3	EXTERIOR INSULATION AND FINISH SYSTEMS (EIFS)	DRYVIT	FINISH SANDBLAST, COLOR TO MATCH: SW 6070 "HERON PLUME"
EF-4	EXTERIOR INSULATION AND FINISH SYSTEMS (EIFS)	DRYVIT	FINISH SANDBLAST, COLOR TO MATCH: SW 6074 "SPALDING GRAY"
M-1	METAL AWNING	BERRIDGE	STANDING SEAM KYMAR STEEL 18" PANEL, COLOR: "DARK BRONZE"
M-2	METAL COPING OR METAL GUTTER AND DOWNSPOUT	BERRIDGE	METAL COPING, COLOR: "SHASTA WHITE"
P-1	PAINT	SHERWIN WILLIAMS	PAINT, COLOR TO MATCH: SW 6083 "SABLE"
P-2	PAINT	SHERWIN WILLIAMS	ELASTOMERIC PAINT, COLOR TO MATCH: SW 6107 "NOMADIC DESERT"
SF-1	STOREFRONT	YKK	ALUMINUM STOREFRONT SYSTEM W/ TEMPERED GLAZING, COLOR: "DARK BRONZE"

KEYNOTE LEGEND

MARK	DESCRIPTION
1	CONCRETE SIDEWALK, BROOM FINISH W/ JOINTS @ 6'-0" (MAX.), OR PER PLAN. REFER TO CIVIL FOR WIDTH.
2	DASHED LINE REPRESENTS CANOPY OR AWNING ABOVE. REFER TO ELEVATIONS & WALL SECTIONS FOR ADDITIONAL INFORMATION.
3	ROOF TOP UNIT. REFER TO MECHANICAL DRAWINGS. CONTRACTOR SHALL LABEL RTU WITH THE SUITE NUMBERS OF THE SPACE THEY SERVE.
4	FREEZE PROOF WALL HYDRANT. REFER TO PLUMBING DRAWINGS.
5	FIRE RISER AND FIRE ALARM PANEL. REFER TO SHEET LS-101 AND CIVIL PLANS.
6	FIRE RISER ROOM HEATER. REFER TO MECHANICAL DRAWINGS FOR DETAILS.
7	PRE-FINISHED 4" x 4" METAL GUTTER. REFER TO SHEET A-121.
8	PRE-FINISHED 3" x 3" METAL DOWNSPOUT. REFER TO SHEET A-121.
9	PRE-FINISHED 6" x 6" METAL GUTTER. REFER TO SHEET A-121.
10	PRE-FINISHED 5" x 5" METAL DOWNSPOUT REFER TO ELEVATIONS FOR COLOR.
11	CONCRETE SPLASH BLOCK.
12	ARCHITECTURAL LIGHT FIXTURE 9'-6" A.F.F. TO CENTER OF FIXTURE U.N.O. - REFER TO ELECTRICAL DRAWINGS.
13	SECURITY LIGHT FIXTURE 13'-0" A.F.F. TO BOTTOM OF FIXTURE U.N.O. - REFER TO ELECTRICAL DRAWINGS.
14	PERSONNEL LIGHT FIXTURE WITH 90 MIN. EMERGENCY BATTERY. MOUNT OVER DOOR - REFER TO ELECTRICAL DRAWINGS.
16	(2) 2-1/2" STUB-UPS FOR ELECTRICAL. REFER TO ELECTRICAL DRAWINGS.
17	1" TELCO STUB UP. REFER TO ELECTRICAL DRAWINGS.
18	GREASE WASTE LINE STUB-UP FOR PLUMBING (CAPPED).
19	NATURAL GAS METERS, CONTRACTOR SHALL COORDINATE WITH GAS COMPANY.
20	4" SANITARY STUB-UP FOR PLUMBING (CAPPED).
21	6" x 6" T.S. COLUMN, REFER TO STRUCTURAL DRAWINGS.
22	BRICK SOLDIER COURSE.
23	BRICK ROWLOCK COURSE.
24	BLOCK AND DFS CONTROL JOINT.
25	EIFS REVEAL. REFER TO DETAIL 3/A-501.
27	ELECTRICAL PANEL, REFER TO ELECTRICAL DRAWINGS.
28	TELCO BOARD, REFER TO ELECTRICAL DRAWINGS.
29	4" THICK CONCRETE SLAB. REFER TO STRUCTURAL DRAWINGS.
30	SUITE NUMBERS ON DOORS, PERMANENT ADHESIVE STANDARD OUTDOOR VINYL LABELS - 3 1/2" NUMBERS.
31	WATER SUB METER REMOTE TRANSMITTER, REFER TO PLUMBING DRAWINGS.
32	F.D.C. LOCATION, VERIFY WITH LOCAL FIRE MARSHALL BEFORE INSTALLATION.



3 EIFS WRAP DETAIL
A-201 SCALE: 3/4" = 1'-0"

Order Plans @



WWW.DIline.com