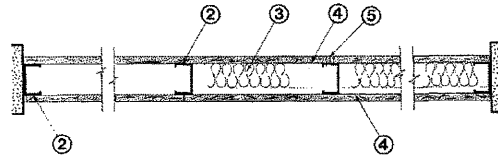


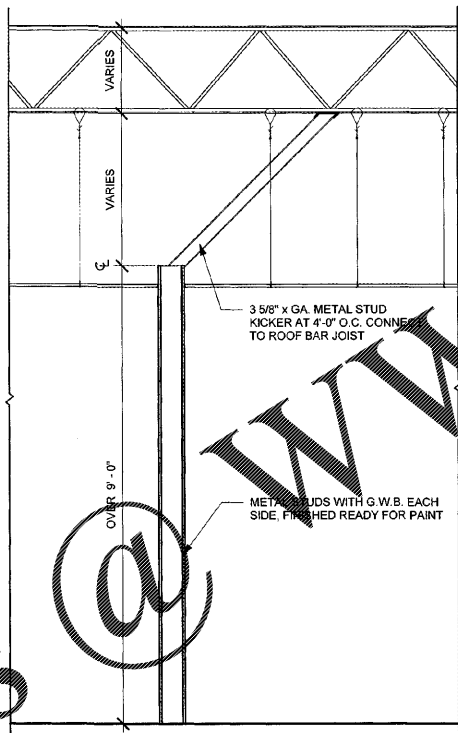
WALL SCHEDULE			
MARK	DESCRIPTION	HEIGHT	RATE
A	8" MTL. STUD @ 16" O.C WITH (1) ONE LAYER OF 5/8" G.W.B. TO ROOF DECK ON INTERIOR SIDE. APPLY VERTICALLY. SCREW ATTACH FINISH JOINTS. CAULK PERIMETER (MOISTURE RESISTANT @ 8'-0" A.F.F. IN ALL WET AREAS) FINISHED READY FOR PAINT. EXTERIOR: DRAINABLE EIFS ON MOISTURE RESISTANT MEMBRANE AND 5/8" EXTERIOR GRADE SHEATHING. REFER TO SECTIONS AND ELEVATIONS.	VARIES	
B	8" MTL. STUD @ 16" O.C WITH (1) ONE LAYER OF 5/8" G.W.B. TO ROOF DECK ON INTERIOR SIDE. APPLY VERTICALLY. SCREW ATTACH FINISH JOINTS. CAULK PERIMETER (MOISTURE RESISTANT @ 8'-0" A.F.F. IN ALL WET AREAS) FINISHED READY FOR PAINT. EXTERIOR: ABOVE DRAINABLE EIFS ON MOISTURE RESISTANT MEMBRANE AND 5/8" EXTERIOR GRADE SHEATHING. CONTINUOUS RIGID INSULATION (R-7.5 MIN), MOISTURE RESISTANT MEMBRANE AND BRICK. REFER TO SECTIONS AND ELEVATIONS.	VARIES	
C	8" (NOM.) CMU BLOCK W/ REINFORCING AND FOAM INSULATION FILLED CELLS. BLOCK SEALER ON INTERIOR SIDE. EXTERIOR: ABOVE DRAINABLE EIFS DIRECT APPLIED TO 8" (NOM.) CONCRETE BLOCK. BELOW (2) COATS OF ROLL-ON DAMPPROOFING ON 8" (NOM.) CONCRETE BLOCK AND BRICK. REFER TO SECTIONS AND ELEVATIONS.	VARIES	
D	8" (NOM.) CMU BLOCK W/ REINFORCING AND FOAM INSULATION FILLED CELLS. BLOCK SEALER ON INTERIOR SIDE. EXTERIOR: DIRECT APPLIED FINISH SYSTEM (DFS) ON 8" (NOM.) CONCRETE BLOCK. REFER TO SECTIONS AND ELEVATIONS. STRIKE MORTAR JOINTS SMOOTH AT DFS LOCATIONS (TYP.)	VARIES	
E	8" (NOM.) CMU BLOCK W/ REINFORCING AND FOAM INSULATION FILLED CELLS. INTERIOR 1 5/8" MTL. STUD @ 24" O.C WITH (1) ONE LAYER OF 5/8" G.W.B. TO ROOF DECK ON INTERIOR SIDE. APPLY VERTICALLY. SCREW ATTACH FINISH JOINTS. CAULK PERIMETER (MOISTURE RESISTANT @ 8'-0" A.F.F. IN ALL WET AREAS) FINISHED READY FOR PAINT. EXTERIOR: DIRECT APPLIED FINISH SYSTEM (DFS) ON 8" (NOM.) CONCRETE BLOCK. REFER TO SECTIONS AND ELEVATIONS. STRIKE MORTAR JOINTS SMOOTH AT DFS LOCATIONS (TYP.)	VARIES	
F	8" (NOM.) CMU BLOCK W/ REINFORCING AND FOAM INSULATION FILLED CELLS. BLOCK SEALER ON INTERIOR SIDE. FIRE RISER ROOM INTERIOR BLOCK SEALER. EXTERIOR: ABOVE FIRE RISER ROOM DIRECT APPLIED FINISH SYSTEM (DFS) ON 8" (NOM.) CONCRETE BLOCK. REFER TO SECTIONS AND ELEVATIONS.	VARIES	
G	8" (NOM.) CMU BLOCK W/ REINFORCING AND FOAM INSULATION FILLED CELLS. BLOCK SEALER ON INTERIOR SIDE. EXTERIOR: ABOVE DIRECT APPLIED FINISH SYSTEM (DFS) ON 8" (NOM.) CONCRETE BLOCK. BELOW TWO (2) COATS OF ELASTOMERIC PAINT ON 8" (NOM.) CONCRETE BLOCK TO EIGHT FEET A.F.F., REFER TO SECTIONS AND ELEVATIONS.	VARIES	
H	8" (NOM.) CMU BLOCK W/ REINFORCING AND FOAM INSULATION FILLED CELLS. INTERIOR 1 5/8" MTL. STUD @ 24" O.C WITH (1) ONE LAYER OF 5/8" G.W.B. TO ROOF DECK ON INTERIOR SIDE. APPLY VERTICALLY. SCREW ATTACH FINISH JOINTS. CAULK PERIMETER (MOISTURE RESISTANT @ 8'-0" A.F.F. IN ALL WET AREAS) FINISHED READY FOR PAINT. EXTERIOR: ABOVE DRAINABLE EIFS DIRECT APPLIED TO 8" (NOM.) CONCRETE BLOCK. BELOW (2) COATS OF ROLL-ON DAMPPROOFING ON 8" (NOM.) CONCRETE BLOCK AND BRICK. REFER TO SECTIONS AND ELEVATIONS.	TOP OF PARAPET	
I	6" MTL. STUDS, 20 GA. (MIN) AT 24" O.C. WITH ONE LAYER OF 5/8" TYPE 'X' G.W.B. ON EACH SIDE. APPLY VERTICALLY. SCREW ATTACH FINISH JOINTS. CAULK PERIMETER. SOUND ATTENUATION BLANKETS BETWEEN STUDS TO DECK, SANDED TO LEVEL. 4 FINISH AND READY FOR PAINT ON TENANT SIDE. PROVIDE MOISTURE RESISTANT TYPE 'X' G.W.B. (GREENBOARD) TO 8'-0" A.F.F. AS REQUIRED IN WET AREAS. REFER TO SECTIONS. FIRE CAULK AND LABEL PER FIRE MARSHAL.	TO ROOF DECK	1 HOUR UL-465
K	3 5/8" MTL. STUD @ 15" O.C WITH (1) ONE LAYER OF 5/8" G.W.B. ON EACH SIDE. APPLY VERTICALLY. SCREW ATTACH FINISH JOINTS. CAULK PERIMETER (MOISTURE RESISTANT @ 8'-0" A.F.F. IN ALL WET AREAS). SOUND ATTENUATION BLANKETS TO 10'-6" A.F.F., FINISHED READY FOR PAINT.	10'-6"	
L	6" MTL. STUD @ 16" O.C WITH (1) ONE LAYER OF 5/8" G.W.B. ON EACH SIDE. APPLY VERTICALLY. SCREW ATTACH FINISH JOINTS. CAULK PERIMETER (MOISTURE RESISTANT @ 8'-0" A.F.F. IN ALL WET AREAS). SOUND ATTENUATION BLANKETS TO 10'-6" A.F.F., FINISHED READY FOR PAINT.	10'-6"	

Fire Resistance Ratings - ANSI/UL 263
Design No. U465
 September 26, 2006
 Nonbearing Wall Rating — 1 HR.

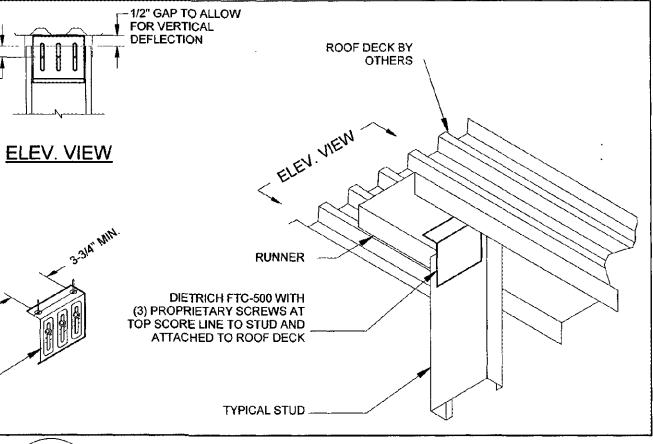


1. Floor and Ceiling Runners — (not shown) — Channel shaped runners, 3-5/8 in. wide (min), 1-1/4 in. legs, formed from min No. 25 MSG galv steel, attached to floor and ceiling with fasteners spaced 24 in. OC max.
2. Steel Studs — Channel shaped, 3-5/8 in. wide (min), 1-1/4 in. legs, 3/8 in. folded back returns, formed from min No. 25 MSG galv steel spaced 24 in. OC max.
3. Batts and Blankets — (Optional) — Mineral wool or glass fiber batts partially or completely filling stud cavity. See Batts and Blankets (BZ12) category for names of Classified companies.
- 3A. Fiber, Sprayed — As an alternate to Batts and Blankets (Item 3) — Spray applied cellulose material. The fiber is applied with water to completely fill the enclosed cavity in accordance with the application instructions supplied with the product. Nominal dry density of 3.0 lb/ft³. Alternate application method: The fiber is applied with U.S. Greenfiber LLC Type AD100 hot melt adhesive at a nominal ratio of one part adhesive to 6.6 parts fiber to completely fill the enclosed cavity in accordance with the application instructions supplied with the product. Nominal dry density of 2.5 lb/ft³.
- U.S. GREENFIBER L.L.C. — Cocoon2 Stabilized or Cocoon-FRM (Fire Rated Material)
- 3B. Fiber, Sprayed — As an alternate to Batts and Blankets (Item 3) and Item 3A - Spray applied cellulose insulation material. The fiber is applied with water to interior surfaces in accordance with the application instructions supplied with the product. Applied to completely fill the enclosed cavity. Minimum dry density of 4.3 pounds per cubic ft.
- NU-WOOL CO INC — Cellulose Insulation
4. Gypsum Board — 5/8 in. thick, 4 ft wide, attached to steel studs and floor and ceiling track with 1 in. long, Type S steel screws spaced 6 in. OC, along edges of board and 12 in. OC in the field of the board. Joints oriented vertically and staggered on opposite sides of the assembly. When attached to item 6 (resilient channels) or 6A (furring channels), wallboard is screw attached to furring channels with 1 in. long, Type S steel screws spaced 12 in. OC. When used in widths other than 48 in., gypsum panels to be installed horizontally.

- AMERICAN GYPSUM CO — Types AG-C, AGX-1
 BEIJING NEW BUILDING MATERIALS PUBLIC LTD CO — Type DBX-1
 BPE AMERICA INC — Types 1, EGRG, ProRoc Type X, ProRoc Type C
 BPE CANADA INC — ProRoc Type C, ProRoc Type X or ProRoc Type Abuse-Resistant
 CANADIAN GYPSUM COMPANY — Types AR, C, IP-AR, IP-X1, IP-X2, IPC-AR, SCX, SHX, WRC or WRX
 G-P GYPSUM CORP, SUB OF
 GEORGIA-PACIFIC CORP — Types 5, 9, C, DAP, DD, DA, DGG, DS, GPF58
 LAFARGE NORTH AMERICA INC — Types LGFC2, LGFC2A, LGFC6, LGFC6A, LGFC-C, LGFC-C/A
 NATIONAL GYPSUM CO — Types FSK, FSK-C, FSK-G, FSW-C, FSW-G, FSW-3, FSW-5
 PACICO BUILDING PRODUCTS L.L.C. DBA
 PACICO GYPSUM — Type PC-C or PG-3
 PANEL REY S A — Type PRX
 SIAM GYPSUM INDUSTRY (SARABURI) CO LTD — Type EX-1
 STANDARD GYPSUM L.L.C. — Types FRX-6, VPBX-6, FRWRX-6, SHTGX-6, FRX-6 Exterior Gypsum Soffit Board, SG-C
 TEMPLE-INLAND FOREST PRODUCTS CORP — Type X, Veneer Plaster Base - Type X, Water Rated - Type X, Sheathing - Type X, Soffit - Type X, TG-C
 UNITED STATES GYPSUM CO — Type AR, C, FRX-G, IP-AR, IP-X1, IP-X2, IPC-AR, SCX, SHX, WRC or WRX
 USG MEXICO S A DE C V — Type AR, C, IP-AR, IP-X1, IP-X2, IPC-AR, SCX, SHX, WRC or WRX
 4A. Gypsum Board* — (As alternate to Item 4) - Nom 5/8 in. thick gypsum panels with beveled, tapered edges, applied vertically or horizontally. Vertical joints centered over studs or staggered on opposite sides of studs. Horizontal joints and horizontal butt joints oriented vertically and staggered or beveled. Panels attached to steel studs and floor runner with 1 in. long Type S steel screws spaced 6 in. OC when applied horizontally, or 8 in. OC along vertical and bottom edges and 2 in. in the field when panels are applied vertically.
- CANADIAN GYPSUM COMPANY — Types AR, C, IP-AR, IP-X1, IP-X2, IPC-AR, SCX, SHX, WRC or WRX
 UNITED STATES GYPSUM CO — Types AR, C, FRX-G, IP-AR, IP-X1, IP-X2, IPC-AR, SCX, SHX, WRC or WRX
 USG MEXICO S A DE C V — Type AR, C, IP-AR, IP-X1, IP-X2, IPC-AR, SCX, SHX, WRC or WRX
 4B. Gypsum Board* — (As an alternate to Item 4) - Nom 3/4 in. thick gypsum panels installed as described in Item 4A with screw length increased to 1 1/4 in.
- CANADIAN GYPSUM COMPANY — Types AR, IP-AR
 UNITED STATES GYPSUM CO — Types AR, IP-AR
 USG MEXICO S A DE C V — Types AR, IP-AR
5. Joint Tape and Compound — Vinyl or premixed joint compound, applied in two coats to joints and screw heads; paper tape, 2 in. wide, embedded in first layer of compound over all joints. As an alternate, nominal 3/32 in. thick gypsum veneer plaster may be applied to the entire surface of Classified veneer baseboard. Joints reinforced. Paper tape and joint compound may be omitted if gypsum boards are supplied with square edges.
6. Resilient Channel — (Optional-Not Shown) — 25 MSG galv steel resilient channels spaced vertically max 24 in. OC, flange portion attached to each intersecting stud with 1/2 in. long Type S-12 panhead steel screws.
- 6A. Steel Framing Members (Not Shown)* — As an alternate to Item 3, furring channels and resilient sound isolation clip as described below.
- a. Furring Channels — Formed of No. 25 MSG galv steel, 2-3/8 in. wide by 7/8 in. deep, spaced 24 in. OC perpendicular to studs. Channels secured to studs as described in Item b. Ends of adjoining channels are overlapped 5 in. and tied together with double strand of No. 18 SWG galv steel wire near each end of overlap. As an alternate, ends of adjoining channels may be overlapped 6 in. and secured together with two self-tapping #8 framing screws, min. 7/16 in. long at the midpoint of the overlap, with one screw on each flange of the channel.
- b. Steel Framing Members* — Used to attach furring channels (Item a) to studs (Item 1). Clips spaced 48 in. OC, and secured to studs with 1-5/8 in. washer or hex head Type S steel screw through the center grommet. Furring channels are friction fitted into clips.
- PAC INTERNATIONAL INC — Type RSIC-1
 *Bearing the UL Classification Mark



FOR PARTITIONS GREATER THAN 9'-0" IN HEIGHT
2 SEISMIC DETAIL
 G-003 N.T.S.



1 HEADWALL DETAIL
 G-003 N.T.S.

WALL TYPE NOTES

1. REFER TO WALL ELEVATIONS AND SECTIONS FOR ADDITIONAL DETAILS ON WALL TYPES. AIRSPACE MAY VARY. CONTRACTOR TO COORDINATE WITH PLANS & SECTIONS.
2. MOISTURE RESISTANT G.W.B. TO BE PROVIDED AT WET LOCATIONS TO 8'-0" A.F.F. (TYP.)
3. STRIKE MORTAR JOINTS SMOOTH AT DFS LOCATIONS (TYP.)

WALL TYPE 'F'

8" (NOM.) CONCRETE BLOCK WITH GROUT OR FOAM INSULATION FILLED CELLS. BLOCK SEALER ON INTERIOR. FIRE RISER ROOM. BLOCK SEALER ON INTERIOR.

WALL TYPE 'L'

5/8" GYP. BRD.: PROVIDE MOISTURE RESISTANT IN WET AREAS. SOUND ATTENUATION BLANKET BETWEEN STUDS. 5/8" GYP. BRD.: PROVIDE MOISTURE RESISTANT IN WET AREAS. 6" METAL STUDS AT 16" O.C.

WALL TYPE 'E'

8" (NOM.) CONCRETE BLOCK WITH GROUT OR FOAM INSULATION FILLED CELLS. DIRECT APPLIED FINISH SYSTEM (DFS) ON 8" (NOM.) CONCRETE BLOCK. SEE NOTE 4. BLOCK SEALER ON INTERIOR. 5/8" GYPSUM BOARD. 5/8" METAL STUDS AT 24" O.C.

WALL TYPE 'K'

5/8" GYP. BRD.: PROVIDE MOISTURE RESISTANT IN WET AREAS. SOUND ATTENUATION BLANKET BETWEEN STUDS. 5/8" GYP. BRD.: PROVIDE MOISTURE RESISTANT IN WET AREAS. 3 5/8" METAL STUDS AT 16" O.C.

WALL TYPE 'J'

WALL RATING: 1 HOUR RATING DESIGNATION: UL-U465 HEIGHT: TO UNDERSIDE OF DECK. (1) LAYER TYPE 'X' 5/8" GYPSUM BOARD. ADJACENT TENANT. SOUND ATTENUATION BLANKET BETWEEN STUDS. (1) LAYER TYPE 'X' 5/8" GYPSUM BOARD. TENANT SIDE. 6" x 20 GA METAL STUDS AT 24" O.C.

WALL TYPE 'C'

8" (NOM.) CONCRETE BLOCK WITH GROUT OR FOAM INSULATION FILLED CELLS. EXTERIOR. 2" THICK DRAINABLE EIFS DIRECT APPLIED TO 8" (NOM.) CONCRETE BLOCK. BLOCK SEALER ON INTERIOR. INTERIOR. 1 5/8" METAL STUDS AT 24" O.C. 5/8" GYPSUM BOARD. ABOVE. 8" (NOM.) CONCRETE BLOCK WITH GROUT OR FOAM INSULATION FILLED CELLS. EXTERIOR. TWO PIECE ADJUSTABLE MASONRY TIES (TYP.) @ 16" O.C. VERT. & 24" O.C. HORIZ. TWO (2) COATS OF ROLL-ON DAMPPROOFING ON SURFACE OF CONCRETE BLOCK. INTERIOR. BLOCK SEALER ON INTERIOR. 5/8" GYPSUM BOARD. ABOVE. 6" x 18 GA METAL STUDS AT 16" O.C. BATT INSULATION (R-13 MIN), BETWEEN STUDS. EXTERIOR. DRAINABLE EIFS SYSTEM, REFER TO SECTIONS FOR THICKNESS. WEATHER RESISTANT BARRIER. INTERIOR. 5/8" GYPSUM BOARD. ABOVE. 6" x 18 GA METAL STUDS AT 16" O.C. BRICK VENEER. EXTERIOR. TWO PIECE ADJUSTABLE MASONRY TIES (TYP.) @ 16" O.C. VERT. & 24" O.C. HORIZ. INTERIOR. BLOCK SEALER ON INTERIOR. 5/8" GYPSUM BOARD. BELOW. 6" x 18 GA METAL STUDS AT 16" O.C.

WALL TYPE 'H'

8" (NOM.) CONCRETE BLOCK WITH GROUT OR FOAM INSULATION FILLED CELLS. EXTERIOR. DIRECT APPLIED FINISH SYSTEM (DFS) ON 8" (NOM.) CONCRETE BLOCK. SEE NOTE 4. BLOCK SEALER ON INTERIOR. INTERIOR. 1 5/8" METAL STUDS AT 24" O.C. 5/8" GYPSUM BOARD. BELOW. 6" x 18 GA METAL STUDS AT 16" O.C. BRICK VENEER. EXTERIOR. TWO PIECE ADJUSTABLE MASONRY TIES (TYP.) @ 16" O.C. VERT. & 24" O.C. HORIZ. INTERIOR. 5/8" GYPSUM BOARD. BELOW. 6" x 18 GA METAL STUDS AT 16" O.C.

WALL TYPE 'B'

BATT INSULATION (R-13 MIN), BETWEEN STUDS. EXTERIOR. WEATHER RESISTANT BARRIER. INTERIOR. 5/8" GYPSUM BOARD. ABOVE. 6" x 18 GA METAL STUDS AT 16" O.C. BRICK VENEER. EXTERIOR. TWO PIECE ADJUSTABLE MASONRY TIES (TYP.) @ 16" O.C. VERT. & 24" O.C. HORIZ. INTERIOR. BLOCK SEALER ON INTERIOR. 5/8" GYPSUM BOARD. BELOW. 6" x 18 GA METAL STUDS AT 16" O.C.

WALL TYPE 'G'

8" (NOM.) CONCRETE BLOCK WITH GROUT OR FOAM INSULATION FILLED CELLS. EXTERIOR. DIRECT APPLIED FINISH SYSTEM (DFS) ON 8" (NOM.) CONCRETE BLOCK. SEE NOTE 4. BLOCK SEALER ON INTERIOR. INTERIOR. 8" (NOM.) CONCRETE BLOCK WITH GROUT OR FOAM INSULATION FILLED CELLS. EXTERIOR. TWO COATS OF ELASTOMERIC PAINT. INTERIOR. BLOCK SEALER ON INTERIOR. 5/8" GYPSUM BOARD. BELOW. 6" x 18 GA METAL STUDS AT 16" O.C.

WALL TYPE 'A'

BATT INSULATION (R-13 MIN), BETWEEN STUDS. EXTERIOR. WEATHER RESISTANT BARRIER. INTERIOR. 5/8" GYPSUM BOARD. ABOVE. 6" x 18 GA METAL STUDS AT 16" O.C. BRICK VENEER. EXTERIOR. TWO PIECE ADJUSTABLE MASONRY TIES (TYP.) @ 16" O.C. VERT. & 24" O.C. HORIZ. INTERIOR. BLOCK SEALER ON INTERIOR. 5/8" GYPSUM BOARD. BELOW. 6" x 18 GA METAL STUDS AT 16" O.C.

Max Design Group
 Architecture - Planning - Interiors
 2862 Buford Highway
 Suite 106
 Duluth, Georgia 30096
 Tel: 770-910-9740
 Cell: 770-530-5245
 Email: rmaxian@maxdesigngp.com

THIS DRAWING IS THE PROPERTY OF MAXDESIGN GROUP. AND IS NOT TO BE REPRODUCED IN WHOLE OR IN PART. IT IS NOT TO BE USED ON ANOTHER PROJECT AND SHALL BE RETURNED UPON REQUEST.

PROFESSIONAL SEAL:

 RICHARD M. MAXIAN
 REGISTERED ARCHITECT
 11/30/2020

PROJECT TITLE:
MARKET PLACE AT LOCUST GROVE SHOPS PHASE 2
 LOCUST GROVE, GEORGIA

PROJECT INFO:
 4959 BILL GARDNER PARKWAY
 LOCUST GROVE, GA 30248

OWNER:
IP ILG, LLC
JACOB LANG
 912.655.3438

PRINT RECORD

Description	Date
ISSUED FOR PERMIT	11.23.2020

REVISION

No.	Description	Date
-----	-------------	------

WALL TYPES AND SCHEDULE

Project number	D20-101
Date	10/26/2020
Drawn by	B.C.R.
Checked by	R.M.M.

G-003
 Scale As indicated

ISSUED FOR CONSTRUCTION