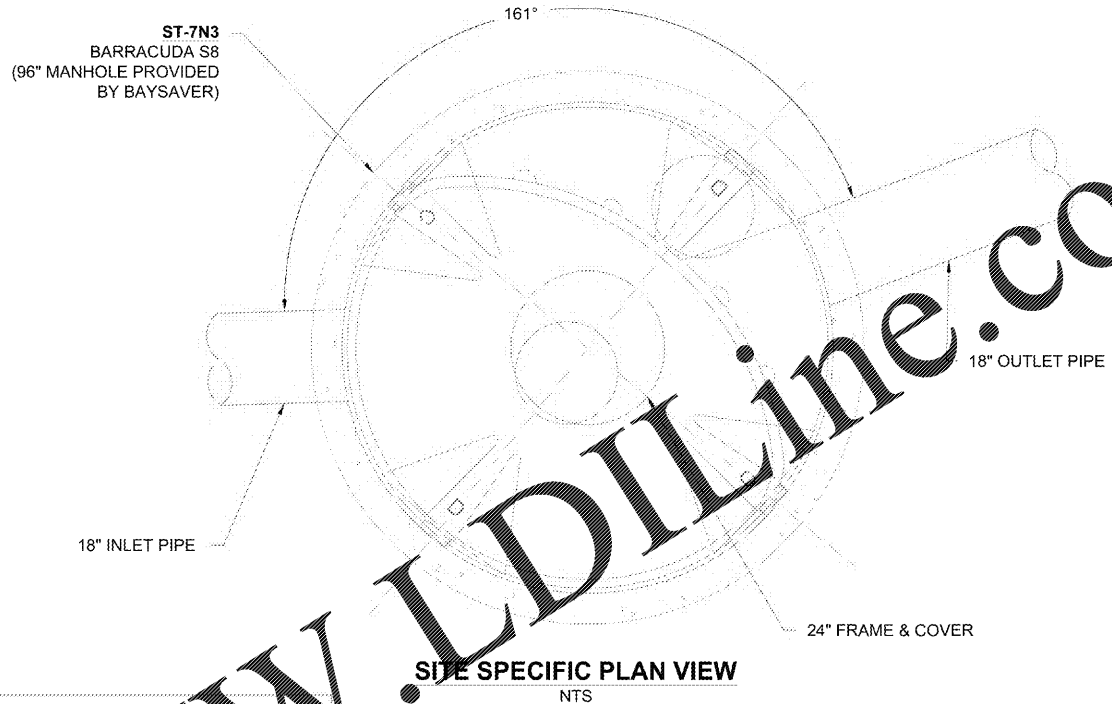
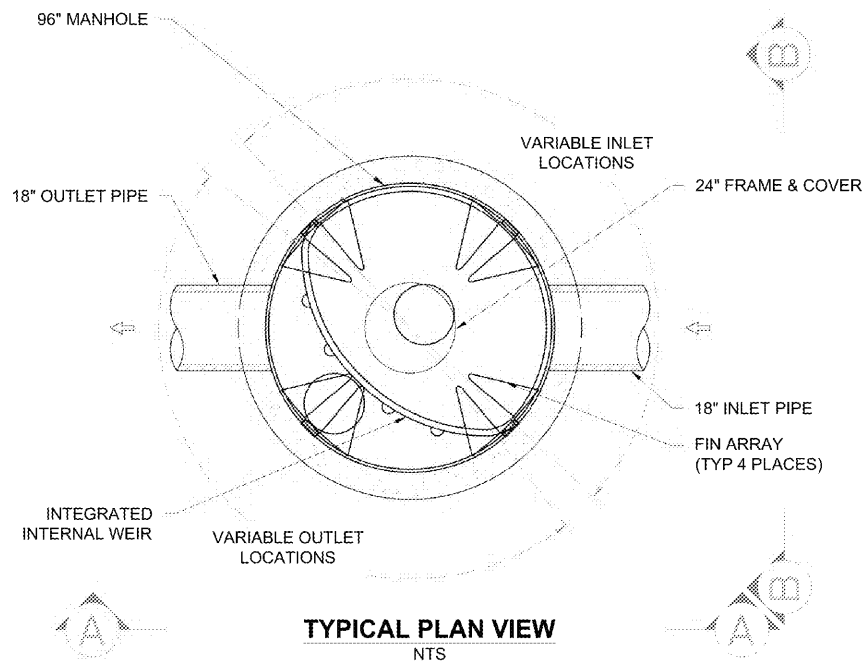
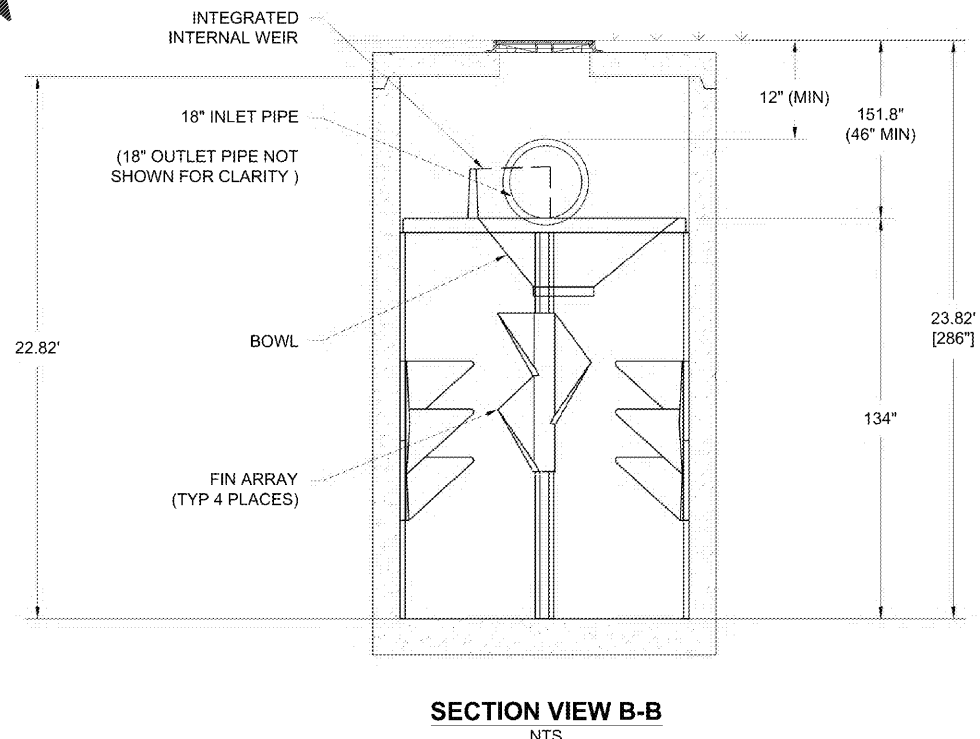
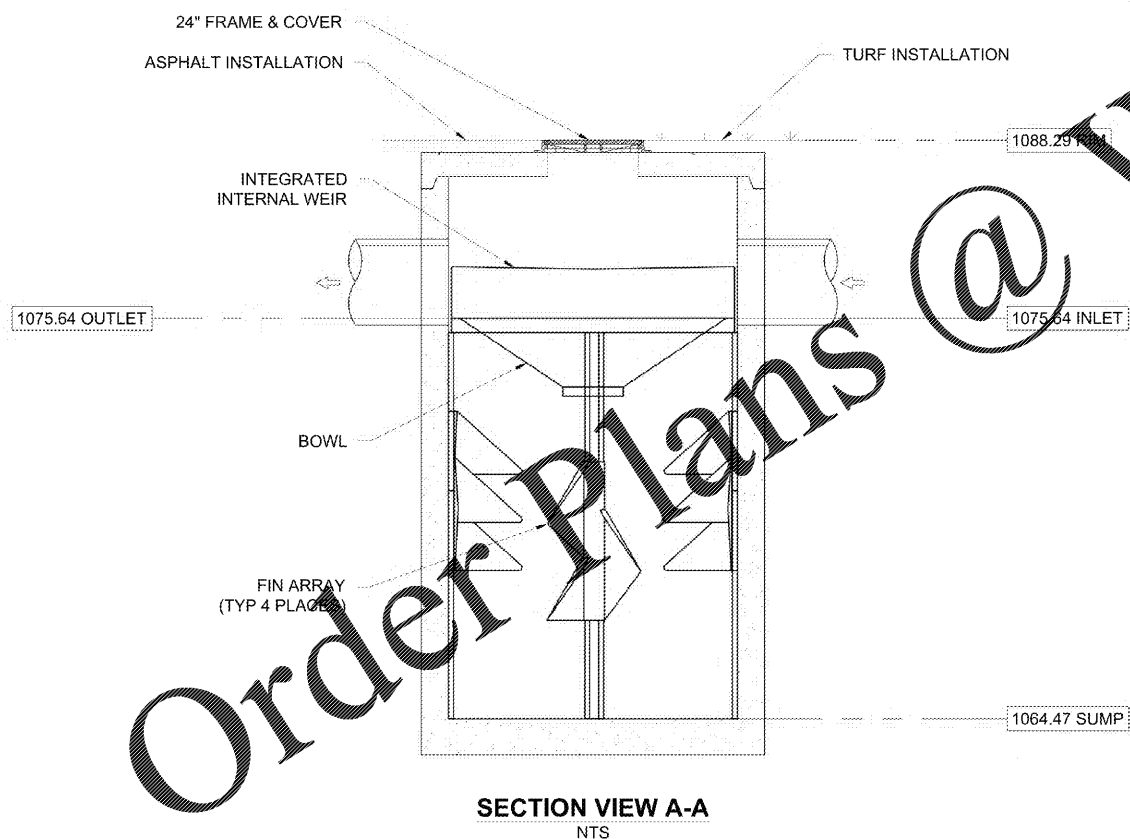


PLOT DATE: 12/11/20 2:39 PM
 RELOT=Production\G206124\G206124-ICC.01 - Lake Lanier Islands Conference Center -\Production\Engineering\Design\LI Conference Center\G206124-ICC-PIPE.dwg



BARRACUDA S8	
UNIT ID	ST-7N3
PEAK FLOW RATE (CFS)	1.2
TREATMENT FLOW RATE (CFS)	4.32



Order Plans @

WWW.LDILine.com



WATER QUALITY UNIT DETAIL
 FOR:
**LANIER ISLANDS
 CONFERENCE CENTER**
 LAND LOT 380
 7TH DISTRICT
 CITY OF BUFORD, HALL COUNTY, GEORGIA

REV	DATE	DESCRIPTION

ANY CHANGES OR ALTERATIONS MADE TO THESE CONSTRUCTION DRAWINGS WITHOUT THE SIGNATURE OF THE ENGINEER OR ARCHITECT ARE VOID. THE SEAL SHOWS HEREON AND ANY LIABILITY ASSOCIATED THEREWITH ARE KEPT ON FILE FOR VERIFICATION OF ANY CHANGES.



SHEET
C65
 OF
C66
 DATE: 12-11-20
 SCALE:
 JOB NO.: G206124-ICC.01
 REV'D BY: JNC
 DRAWN BY: JRS