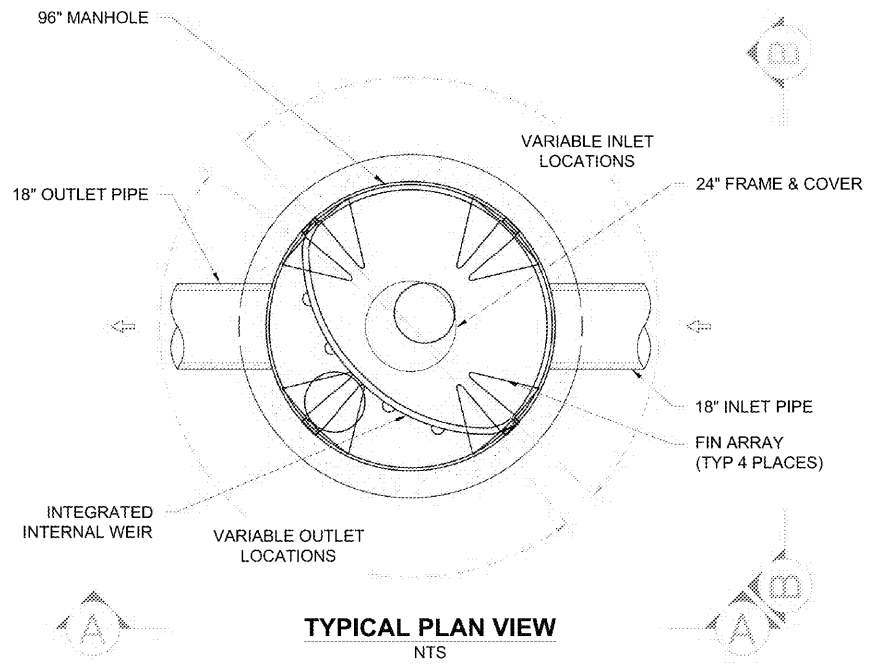
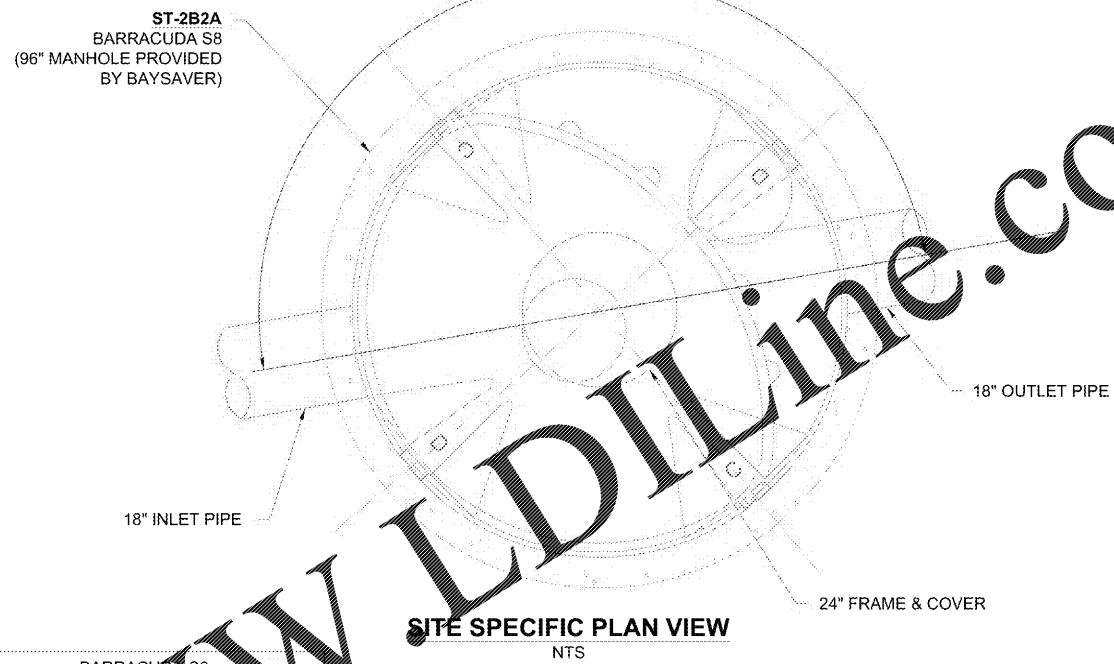


PLOT DATE: 12/11/20 2:38 PM
 REVT=Production\0206124\0206124-ICC-01 - Lake Lanier Islands Conference Center -\Production\Engineering\Design\11 Conference Center\0206124-ICC-01.dwg

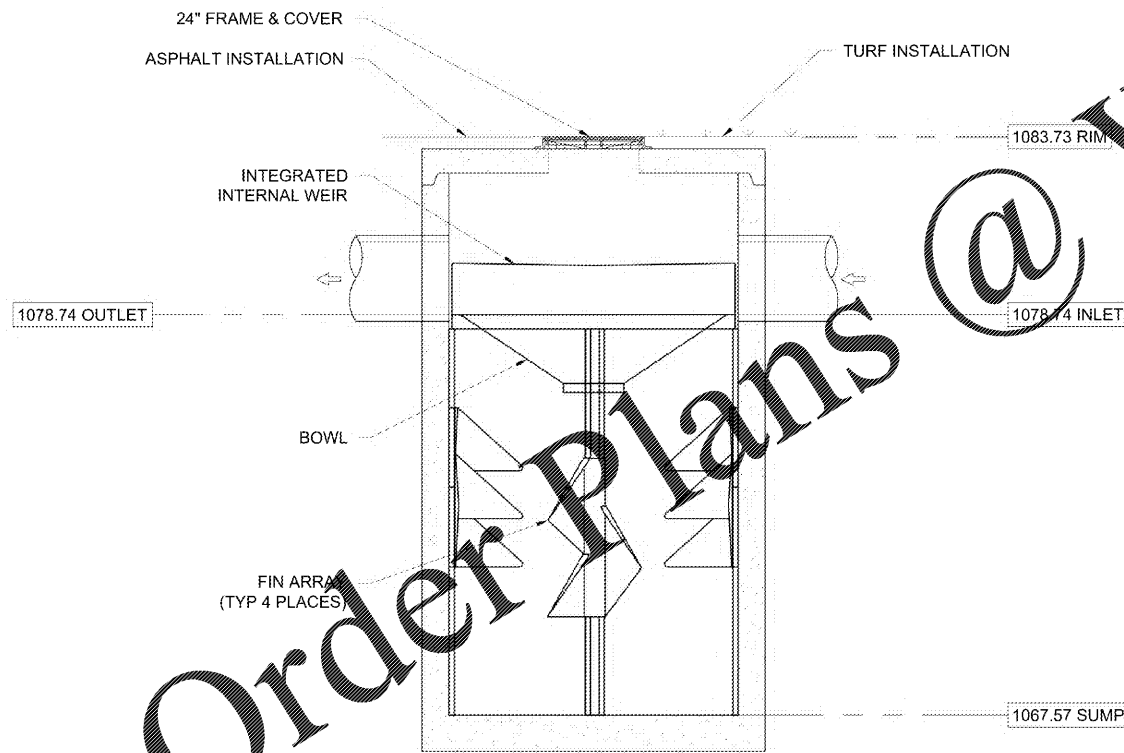


TYPICAL PLAN VIEW
NTS

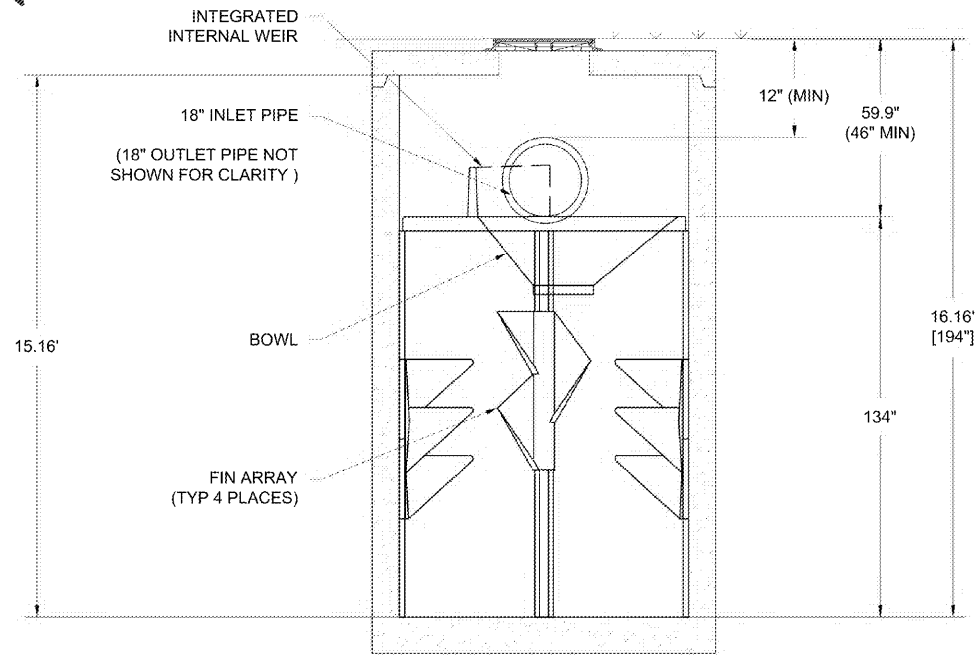


SITE SPECIFIC PLAN VIEW
NTS

BARRACUDA S8	
UNIT ID	ST-2B2A
PEAK FLOW RATE (GFS)	17.38
TREATMENT FLOW RATE (GFS)	4.32



SECTION VIEW A-A
NTS



SECTION VIEW B-B
NTS

Order Plans @ WWW.LDILine.com



FOR:
**LANIER ISLANDS
 CONFERENCE CENTER**
 LAND LOT 380
 7TH DISTRICT
 CITY OF BUFORD, HALL COUNTY, GEORGIA

REV	DATE	DESCRIPTION

ANY CHANGES OR ALTERATIONS MADE TO THESE CONSTRUCTION DRAWINGS WITHOUT THE SIGNATURE OF THE DESIGNER OR ENGINEER ARE VOID. THE SEAL, SIGNATURE, LICENSE NUMBER AND ANY LIABILITY ASSOCIATED WITH THESE DRAWINGS ARE KEPT ON FILE FOR VERIFICATION OF ANY CHANGES.



SHEET
C64
 OF
C66
 DATE: 12-11-20
 SCALE:
 JOB NO.: 0206124-ICC-01
 REV'D BY: JNC
 DRAWN BY: JRS