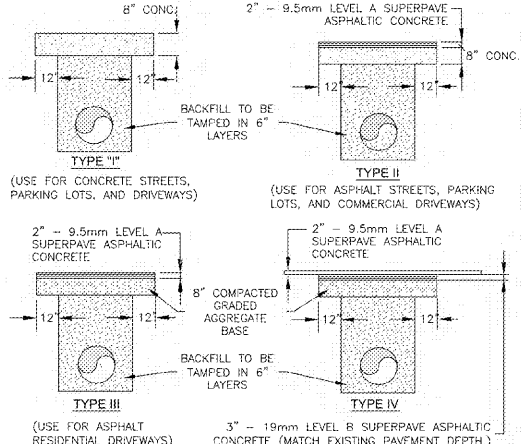


NOTES:
 1. INITIAL BACKFILL SHALL BE FREE AND CLEAR OF ROCKS 2" IN DIAMETER OR LARGER.
 2. ALL PVC SEWERS SHALL USE CLASS "B" BEDDING.
 3. ALL DIP SEWERS WITH LESS THAN 24 FEET IN INVERT DEPTH SHALL USE CLASS "C" BEDDING.
 4. ALL DIP SEWERS WITH GREATER THAN 24 FEET IN INVERT DEPTH SHALL USE CLASS "D" BEDDING.

PIPE BEDDING AND HAUNCHING DETAILS
 SCALE: NTS

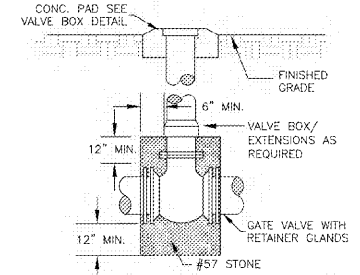
CITY OF GAINESVILLE DEPARTMENT OF WATER RESOURCES
PIPE BEDDING AND HAUNCHING DETAILS
 DATE: JAN 2013 SD-G1



NOTES:
 1. USE 8" COMPACTED GRADED AGGREGATE BASE FOR REPLACEMENT AT GRAVEL DRIVES.
 2. FOR TYPE IV PAVEMENT REPLACEMENT, 2" LEVEL "A" SUPERPAVE SHALL EXTEND TO LIMITS AS DIRECTED BY THE CITY.
 3. FOR ASPHALT COUNTY ROADS, ALL TYPE I PATCHES SHALL BE DYED BLACK TO MATCH EXISTING SURFACE, UNLESS OTHERWISE DIRECTED BY THE CITY.
 4. FOR ALL ASPHALT ROADS, BITUMINOUS TACK SHALL BE PLACED BETWEEN ALL NEW AND EXISTING ASPHALT LAYERS, AND BITUMINOUS PRIMER SHALL BE PLACED BETWEEN ALL GAS AND NEW ASPHALT.
 5. USE BITUMINOUS PRIMER ON ALL EXISTING ASPHALT EDGES.

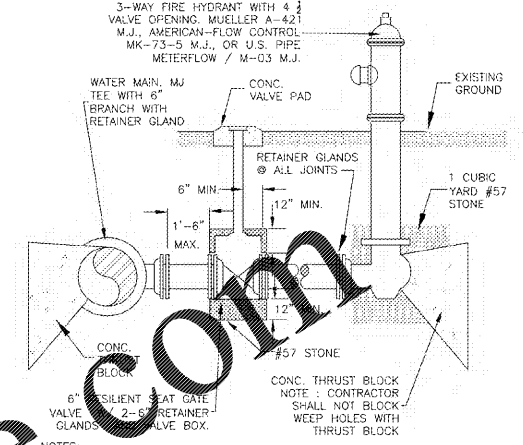
PAVEMENT REPLACEMENT DETAILS
 SCALE: NTS

CITY OF GAINESVILLE DEPARTMENT OF WATER RESOURCES
PAVEMENT REPLACEMENT DETAILS
 DATE: JAN 2013 SD-G2



GATE VALVE INSTALLATION DETAIL
 SCALE: NTS

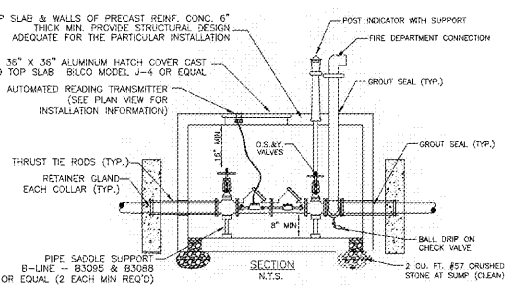
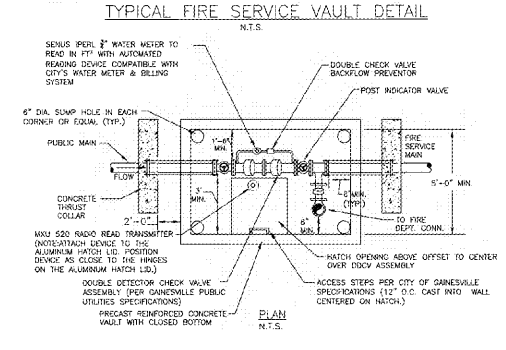
CITY OF GAINESVILLE DEPARTMENT OF WATER RESOURCES
GATE VALVE INSTALLATION DETAIL
 DATE: JAN 2013 SD-W3



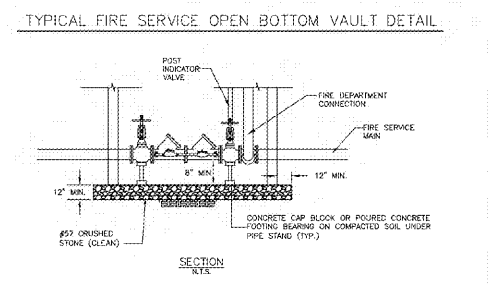
NOTES:
 1. SO LONG AS CONDITIONS ARE SUCH THAT CONCRETE BLOCKING IS NOT EFFECTIVE, THE CONTRACTOR SHALL PROVIDE 2" - 3" HARNESS RODS BETWEEN THE TEE AND GATE VALVE AND BETWEEN THE GATE VALVE AND FIRE HYDRANT IN ADDITION TO RESTRAINT SHOWN ANCHOR COUPLINGS IN LIEU OF RESTRAINT GLANDS AND HARNESS RODS ARE ACCEPTABLE.

TYPICAL FIRE HYDRANT DETAIL
 SCALE: NTS

CITY OF GAINESVILLE DEPARTMENT OF WATER RESOURCES
TYPICAL FIRE HYDRANT DETAIL
 DATE: JAN 2013 SD-W5



CITY OF GAINESVILLE DEPARTMENT OF WATER RESOURCES
TYPICAL FIRE VAULT DETAIL (1 OF 2)
 DATE: JAN 2013 SD-W4

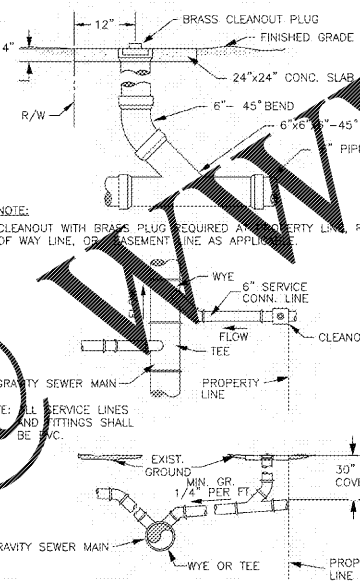


FOR PIPE SIZES 2 1/2" TO 10"

MAIN SIZE	DIMENSION		REINF.
	A	B	
2 1/2"	2'-0"	0'-8"	#4@12' EWCF
4"	2'-0"	0'-8"	#4@12' EWCF
6"	4'-0"	0'-10"	#4@12' EWCF
8"	4'-0"	1'-0"	#4@12' EWCF
10"	5'-0"	1'-2"	#7@12' EWCF

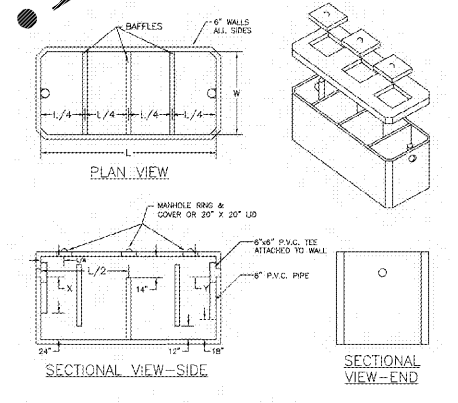
THRUST COLLAR DETAIL
 SCALE: NTS

CITY OF GAINESVILLE DEPARTMENT OF WATER RESOURCES
TYPICAL FIRE VAULT DETAIL (2 OF 2)
 DATE: JAN 2013 SD-W11B



CLEAN OUT AND SERVICE CONNECTION DETAIL
 SCALE: NTS

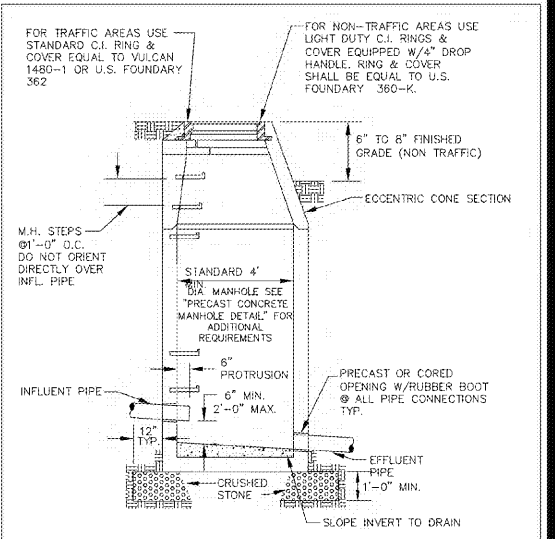
CITY OF GAINESVILLE DEPARTMENT OF WATER RESOURCES
CLEAN OUT AND SERVICE CONNECTION DETAIL
 DATE: JAN 2013 SD-SS8



TANK CAPACITY LIQUID GALLONS	L	W	D	INLET INCHES	OUTLET INCHES	APPROX. WT. IN LBS	MINIMUM DIMENSIONS FOR EXCAVATION LENGTH X WIDTH X DEPTH	NO. LINES
1500	30'-0"	4'-6"	5'-0"	10"	12"	1,500LB	12'-0" X 7'-0" X 8'-0"	3

• MINIMUM CAPACITY OF GREASE TRAP IS 1500 GALLONS.
 • DESIGN SHOWN IS FOR NON-TRAFFIC AREAS. PROVIDE STRUCTURAL DESIGN ADEQUATE FOR PARTICULAR INSTALLATION.

CITY OF GAINESVILLE DEPARTMENT OF WATER RESOURCES
PRECAST CONCRETE GREASE TRAP
 DATE: JAN 2013 SD-SS14



NOTES:
 1. PROVIDE FREEZE-PROOF HYDRANT EQUIPPED W/ANTI-SIPHON TYPE BACKFLOW PREVENTER WITHIN 6' OF MANHOLE.
 2. PROVIDE 120V, 20 AMP DUPLEX RECEPTACLE WITHIN 6' OF MANHOLE.
 3. PROVIDE DUSK TO DAWN POLE MOUNTED OVERHEAD LIGHT DIRECTLY OVER MANHOLE.
 4. PROVIDE 8'x8'x6' HIGH CHAIN LINK FENCE WITH 3'-0" GATE.

CITY OF GAINESVILLE DEPARTMENT OF WATER RESOURCES
SAMPLE STATION MANHOLE INDUSTRIAL INSTALLATION
 DATE: JAN 2013 SD-SS15



CONSTRUCTION DETAILS II
LANIER ISLANDS CONFERENCE CENTER
 LAND LOT 390
 7TH DISTRICT
 CITY OF BUFORD, HALL COUNTY, GEORGIA

NO.	REVISIONS	REV.	DATE	DESCRIPTION

ANY CHANGES OR ALTERATIONS MADE TO THESE CONSTRUCTION DRAWINGS WITHOUT THE SIGNATURE AND SEAL OF THE DESIGN PROFESSIONAL ENGINEER AND ANY LIABILITY ASSOCIATED THEREWITH SHALL BE THE RESPONSIBILITY OF THE CLIENT. THE CLIENT SHALL BE RESPONSIBLE FOR VERIFYING ALL INFORMATION AND DATA PROVIDED TO THE ENGINEER AND FOR OBTAINING ALL NECESSARY PERMITS AND APPROVALS FROM THE APPROPRIATE AGENCIES.



SHEET **C59** OF **C66**
 DATE: 12-11-20
 SCALE: 1/2"=1'-0"
 JOB NO.: 0206178.ICC.01
 REV'D BY: JNC
 DRAWN BY: JNC

Order Plans @ www.LDILine.com

PLOT DATE: 12/11/20 2:38 PM
 PLOT: Production\0206178.ICC.01 - Lake Lanier Islands Conference Center - Production\Engineering\Design\LDI Conference Center\0206178.ICC-01.dwg