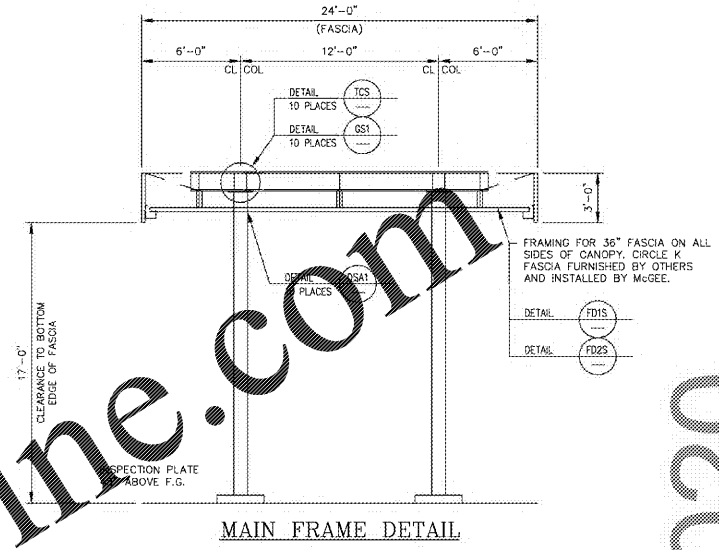


20 GA. BRONZE EMBOSSED GRAND SPAN 16.0\"/>

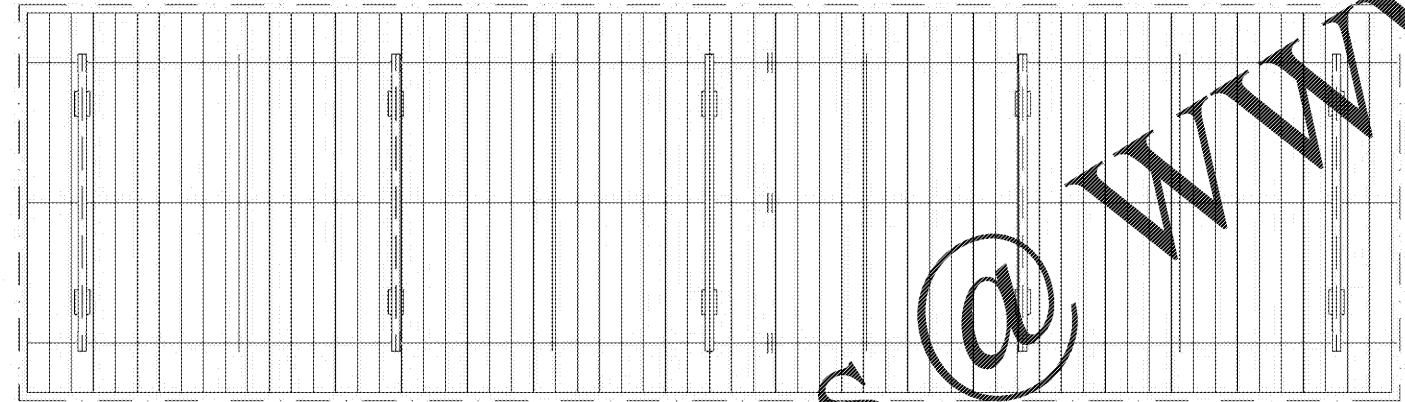
.032 ALUMINUM GUTTER SYSTEM COLOR TO MATCH DECK

NOTE: CANOPY BEAM CLIPS MUST BE INSTALLED ON BOTH SIDES OF THE PURLIN, ATTACHING THE 1st FOUR(4) DECK PANELS ON BOTH ENDS OF CANOPY. ALL OTHER LOCATIONS DETAIL CPT

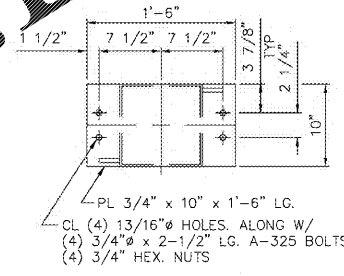
STITCH DECKING WITH TEX 6 MIDSPAN BETWEEN PURLINS. MINIMUM FROM FLAT SIDE OF DECK PAN. (INDICATED ON ROOF PLAN BY DASHED LINE)



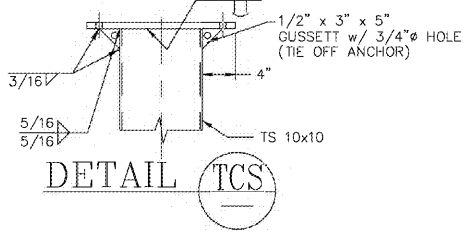
MAIN FRAME DETAIL



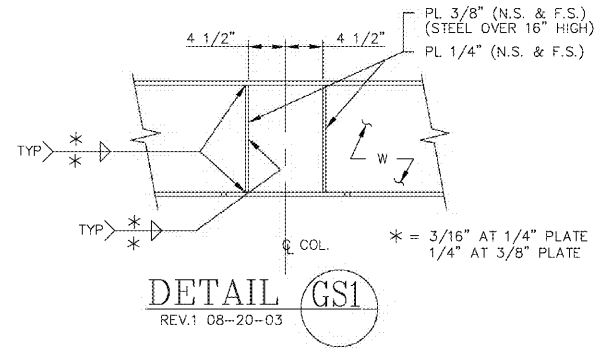
CANOPY DECKING LAYOUT



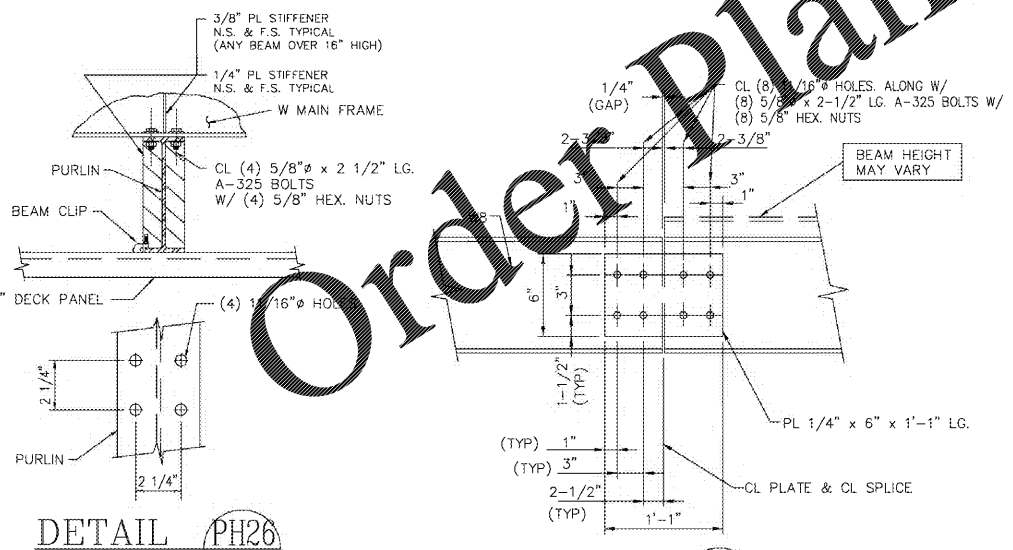
STD STIFFENER WELD DETAIL



DETAIL TCS



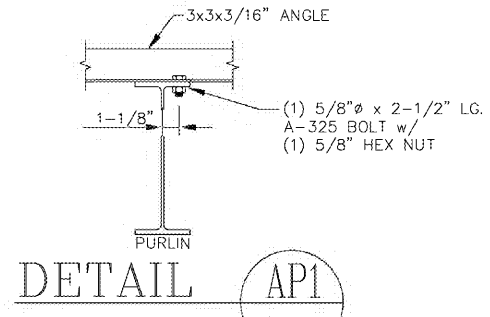
DETAIL GSI



DETAIL PH26



DETAIL WP4



DETAIL API

ANCHOR BOLT SHIPPING REQUIREMENTS		
ANCHOR BOLT USE	BOLT DESCRIPTION	QUANTITY
BC3-BASE PLATE (10 PLACES)	1-1/4" x 36" LONG HEX HEADED ANCHOR BOLTS	40

HARDWARE LIST BREAK-DOWN (REFERENCE ONLY)		
ITEM USE (# OF PLACES FOR CHECKING ONLY)	DESCRIPTION	QUANTITY
TCS-TOP PLATE (10 PLACES)	3/4" x 2-1/2" BOLTS w/ NUTS	40
WP4-BEAM SPLICE (3 PLACES)	5/8" x 2-1/2" BOLTS w/ NUTS	24
WP4-BEAM SPLICE (3 PLACES)	6x13x1/4" PLATE	3
PH26-CONNECTION (15 PLACES)	5/8" x 2-1/2" BOLTS w/ NUTS	60
API-CONNECTION (12 PLACES)	5/8" x 2-1/2" BOLTS w/ NUTS	12

CANOPY SHIPPING STEEL HARDWARE MANIFEST					
QUANTITY	DESCRIPTION	QUANTITY SHIPPED	PULLED BY	CHECKED BY	LOADED BY
40	3/4" x 2-1/2" BOLTS w/ NUTS				
96	5/8" x 2-1/2" BOLTS w/ NUTS				
3	(WP4) 6x13x1/4" PLATE				

CANOPY SHIPPING MANIFEST						
QUANTITY	DESCRIPTION	TOP PLATE	BASE PLATE	PLATE DRAINS	W/S & CONDUIT	VENT
5	MF-1 W12x14 (18'-0")					
3	PUR-1 W8x10 (44'-11 7/8")					
3	PUR-2 W8x10 (37'-11 7/8")					
4	STR-1 L3x3x3/16" (18'-0")					
10	COL 1,2,3,4,5,6,7,8,9,10 HSS 10X10X3/16"					
44	SIDE OUTRIGGERS @ 48" O.C.					
14	END OUTRIGGERS @ 48" O.C.					
1-Lot	HARDWARE					

ASHUTOSH PATEL / PROFESSIONAL ENGINEER  
34 SOUTH MAIN STREET / ALLENTOWN, NJ 08501  
(609) 489-5511

**ERECTION NOTES:**  
REVIEW PLANS & DETAILS PRIOR TO INSTALLATION.  
INSTALL BEAMS ACCORDING TO MARKED END #S ON ROOF PLAN.  
BEAM OVERHANG IS 4" LONGER ON RIGHT HAND END OF CANOPY. IF APPLICABLE, SAME APPLIES FOR BEAM OVERHANG AT TEE.  
INSTALL DECK PANELS FROM LEFT TO RIGHT ON MAIN CANOPY, IF APPLICABLE SAME APPLIES FOR TEE.  
SEE ROOF PLAN FOR PROPER SLOPE AND HOW SLOPE IS ACQUIRED.  
SEE FASCIA DETAILS WHICH ALSO REFERS BACK TO GENERAL NOTES FOR OUTRIGGER SPACINGS.

**MCGEE CORPORATION**  
12701 East Independence Blvd., P.O. Box 1375  
Methuen, NJ 28105-1375  
Phone: (704) 882-1500  
Fax: (900) 528-5589

PRJ. JOB NO. 59772-B	FINAL JOB NO. 59772-B	DRAWING NO. P059772A-B
CIRCLE K 1717 E 16TH AVE CORDELE, GA 31015 (CRISP)		
SCALE: 3/16"=1'-0" DATE: 10/19/2020	IN ACCORDANCE WITH REV. LETTER:	DRAWN BY: PEN CHECKED BY:
METAL CANOPY 24'-0" x 83'-8"		
ROOF PLAN & DETAILS		
SHEET NO. 2 OF 3		

