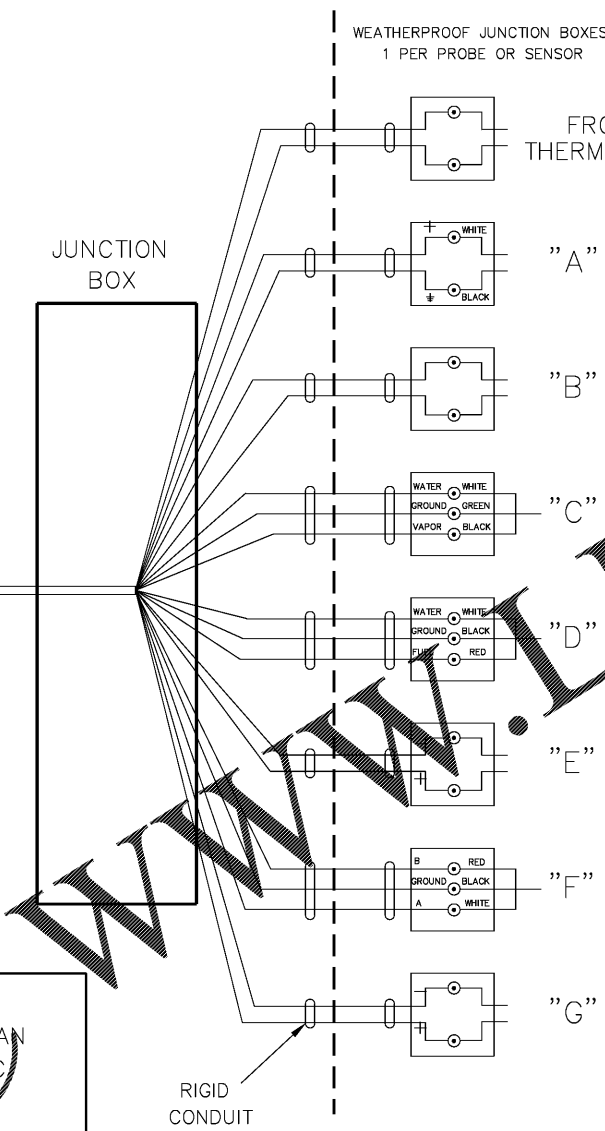


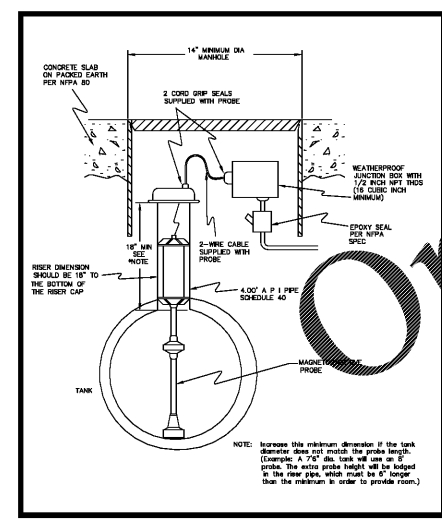
NON-HAZARDOUS AREA | HAZARDOUS AREA



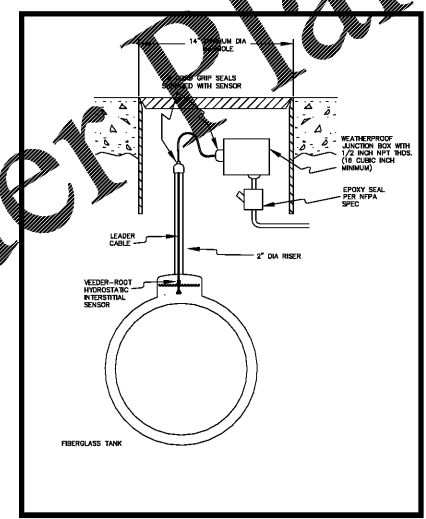
IMPORTANT: THIS IS A CONTROL DRAWING ONLY AND DOES NOT REFLECT THE ACTUAL LOCATIONS OF CONDUIT ENTRY (SEE NOTE 7 BELOW).

- VEEDER-ROOT REQUIRES THAT ANYONE INSTALLING OUR EQUIPMENT MUST BE LEVEL I CERTIFIED. FOR MORE INFORMATION REGARDING THE HOMESTUDY INSTALLERS COURSE CONTACT 860-651-2762.
- WARNING: IN INSTALLATION AND USE OF THIS PRODUCT, COMPLY WITH THE NATIONAL ELECTRICAL CODE; FEDERAL, STATE AND LOCAL CODES. IN ADDITION, TURN OFF POWER AND TAKE OTHER NECESSARY PRECAUTIONS DURING INSTALLATION, SERVICE AND REPAIR TO PREVENT PERSONAL INJURY, PROPERTY LOSS AND EQUIPMENT DAMAGE.
- WARNING: DISCONNECT ALL POWER BEFORE MAKING ANY CONNECTIONS TO PREVENT DEATH, SERIOUS INJURY, EXPLOSION, OR ELECTRICAL SHOCK. MONITOR MUST NEVER BE OPERATED UNLESS THE FRONT COVER IS CLOSED OVER THE BARRIER TERMINALS IN THE INTRINSICALLY SAFE AREA.
- 1. INTRINSICALLY SAFE WIRING BONDING CONDUIT MEANS THAT THE METALLIC SECTIONS OF CONDUIT ARE PERMANENTLY JOINED TO FORM AN ELECTRICALLY CONDUCTIVE PATH THAT WILL ASSURE ELECTRICAL CONTINUITY, AND THAT THE CONDUIT HAS THE CAPACITY TO CONDUIT SAFELY, ANY CURRENT LIKELY TO BE IMPOSED.
- NON-BONDED CONDUITS - ALL FIELD WIRING TO BE SHIELDED CABLE. SHIELDED CABLE MUST BE RATED LESS THAN 100 PICOFARAD PER FOOT AND BE MANUFACTURED WITH A MATERIAL SUITABLE FOR THE ENVIRONMENT SUCH AS CAROL™ C2534 OR BELDON™ 88760, 8760.
- 2. CONNECT THE BARRIER GROUND TO THE EARTH GROUND BUS AT THE POWER DISTRIBUTION PANEL WITH #12 AWG (OR LARGER) CONDUCTOR.
- 3. ● DENOTES FIELD WIRING CONNECTION USING WATERPROOF CONNECTORS SUPPLIED WITH THE PROBE(S) AND SENSOR(S).
- 4. INTRINSICALLY SAFE WIRING SHALL BE INSTALLED IN ACCORDANCE WITH ARTICLE 504-20 OF THE NEC, ANSI/NFPA 70.
- 5. TO MAINTAIN INTRINSIC SAFETY, PROBE/SENSOR WIRING MUST BE INSTALLED IN SEALED CONDUIT.
- 6. ELECTRICAL RATING POWER INPUT 120 VAC, 50/60 HZ, 100 VA MAXIMUM.
- 7. THIS DOCUMENT IS NOT TO BE USED AS A SUBSTITUTE FOR SPECIFIC EQUIPMENT INSTALLATION MANUALS. FOR INSTALLATION DETAILS USE THE RESPECTIVE MANUAL: TLS-450 577013-879
- 8. SUMP SENSOR TO BE SECURED IN PLACE USING VEEDER ROOT P/N 330020-012

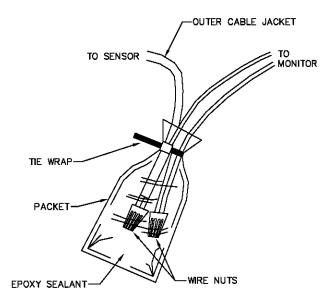
NOTE: SEE SITE ELECTRICAL PLAN SHEET FOR SITE SPECIFIC LAYOUT.



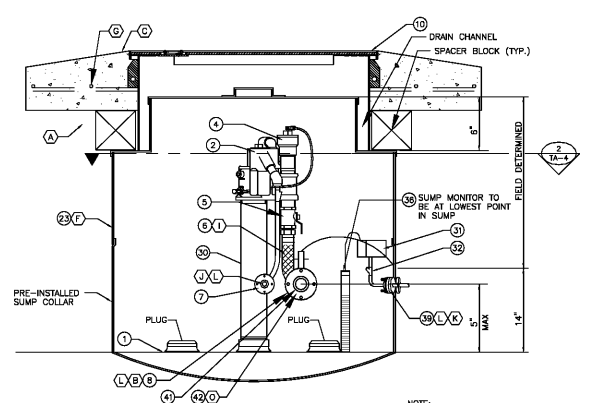
MAGNETOSTRICTIVE PROBE TO JUNCTION BOX



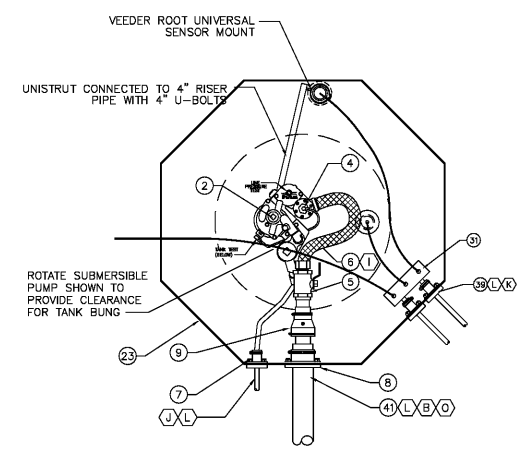
HYDROSTATIC INTERSTITIAL SENSOR TO JUNCTION BOX "B"



EPOXY SEALANT FOR TWO-WIRE CONNECTIONS

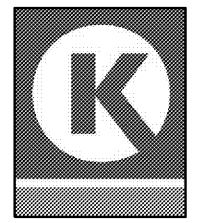


TYP. CONTAINMENT SUMP SECTION N.T.S.



TYP. CONTAINMENT SUMP PLAN VIEW N.T.S.

CLIENT:



**CIRCLE K STORES, INC.**  
SOUTH ATLANTIC DIVISION  
215 PENDLETON ST  
WAYCROSS, GA 31501  
PHONE: (912) 285-4011

DESIGN TEAM:  
**MDM SERVICES, INC.**  
engineering • environmental • construction  
1055 KATHLEEN ROAD, LAKEWOOD, FLORIDA 33805  
(888) 646-9130  
E: 80044597

**TANK & PIPING PLANS & SPECIFICATIONS**

NO.	DATE	REVISION DESCRIPTION

RICHARD R. MORRIS, P.E.  
GA  
SITE ADDRESS:  
**CIRCLE K**  
1717 E 16th AVE.  
CORDELE, CRISP COUNTY  
GEORGIA

SCALE: MDM JOB # 20183  
DATE: 9/01/2020  
DESIGNED BY:  
DRAWN BY: JR FILE NAME:  
CHECKED BY: TA-7.DWG

DRAWING TITLE:  
**ELECTRICAL SCHEMATIC, NOTES & DETAILS**  
SHEET NO.:  
**TA-7**