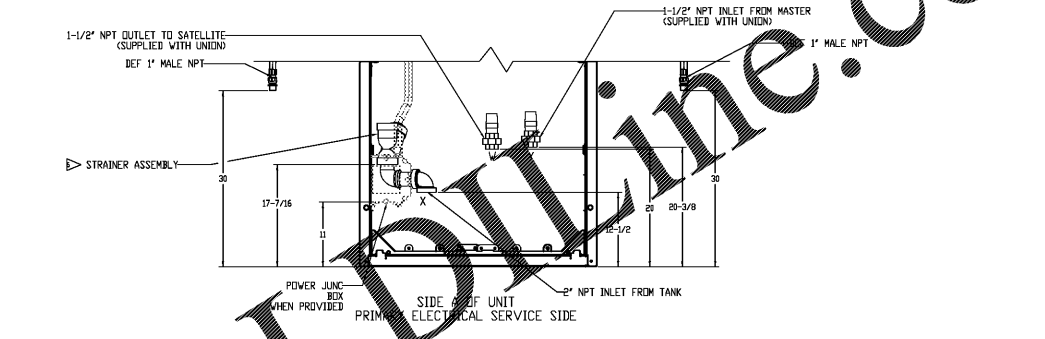
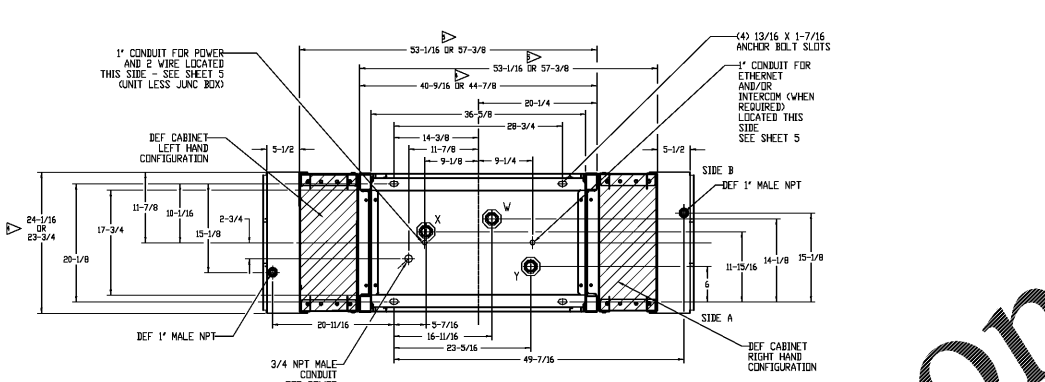


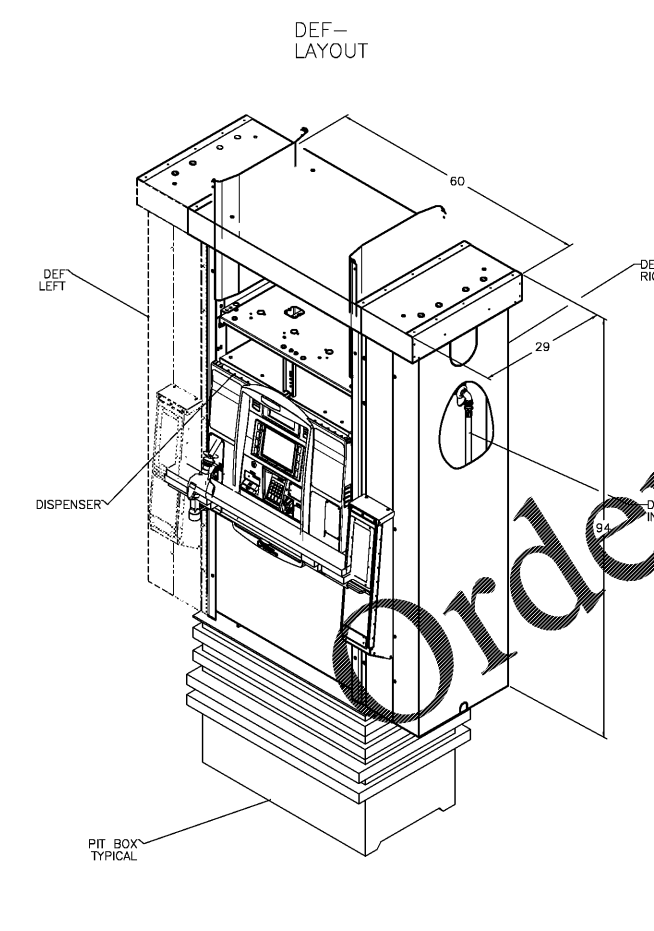
POSITION	DESCRIPTION
W	OUTLET TO SATELLITE - SIDE 1, HOSE OUTLET POS A
X	INLET FROM TANK - SIDE 1, HOSE OUTLET POS A
Y	INLET FROM TANK - SIDE 2, HOSE OUTLET POS E
Z	OUTLET TO SATELLITE - SIDE 1, HOSE OUTLET POS E

ULTRA HI SINGLE SIDED DUAL MASTER-MODEL NP6
ULTRA HI SINGLE SIDED MASTER-MODEL WITH DEF, NPC
(DIMENSIONS ARE IN INCHES)



POSITION	DESCRIPTION
W	OUTLET TO SATELLITE - SIDE 1 - MASTER SIDE
X	INLET FROM TANK - SIDE 1 - MASTER SIDE
Y	INLET FROM MASTER - SIDE 2 - SATELLITE SIDE
Z	NOT USED

ULTRA HI MASTER/SATELLITE COMBO-MODEL NP4
ULTRA HI MASTER/SATELLITE COMBO-MODEL WITH DEF, NPC
(DIMENSIONS ARE IN INCHES)



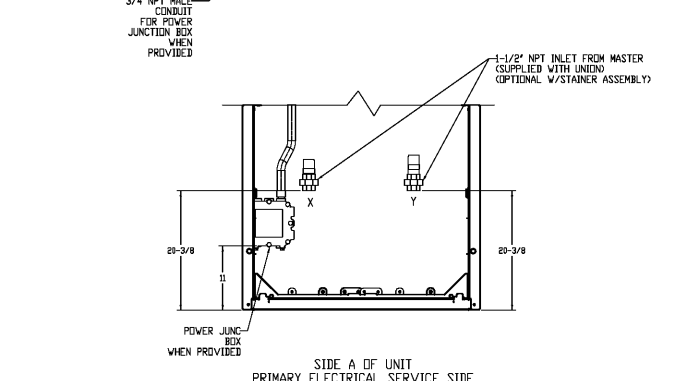
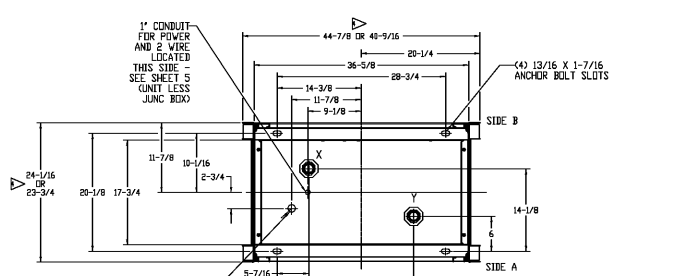
PRODUCT INLET TABLE

INLET	PRODUCT
W	1
X	2
Y	3
Z	4

NOTE:-
FOR 3+1 SELECTABLE BLENDERS AND 3+1 MULTI HOSE BLENDERS, INLET "Y" IS THE PLUS GRADE.
FOR 3+1 SINGLE HOSE BLENDERS, INLET "Z" IS THE PLUS GRADE.
FOR 3+1 SELECTABLE BLENDERS, INLETS "W" AND "X" ARE USED FOR THE PLUS GRADES.
FOR 2+2 MULTI HOSE BLENDERS, INLETS "W" AND "X" ARE USED FOR THE SELECTABLE BLENDER SIDE (SINGLE HOSE ON THE RIGHT SIDE OF THE UNIT) AND INLETS "Y" AND "Z" ARE USED FOR THE MULTI HOSE BLENDER SIDE (2 HOSES ON THE LEFT SIDE OF THE UNIT).
FOR NJS- INLET "W" MUST BE THE LOW GRADE NON FLEX, INLET "X" MUST BE THE HI GRADE NONFLEX, AND INLET "Y" MUST BE THE FLEX PRODUCT.
FOR NJS, THE INLETS ARE THE SAME AS NJS, EXCEPT ADD INLET "Z" WHICH IS DIESEL, THE PLUS ONE GRADE.

THESE DIMENSIONS ARE FOR "S" CURVED SHEATHING.
THESE DIMENSIONS ARE FOR DEF "S" CURVED SHEATHING.
INLET UNION PART NUMBER X22468 AND CHECK VALVE PART NUMBER N23274 CAN BE ORDERED AS A CUSTOMER OPTION.
SMART METER DISPENSERS USES THE SAME LAYOUT OF ECOMETER

REFERENCE DOCUMENTS:
MDE-3985 : ENCORE INSTALLATION MANUAL
MDE-3802 : ENCORE SITE PREPARATION MANUAL
FE-363 : ENCORE FIELD WIRING DIAGRAM



POSITION	DESCRIPTION
W	NOT USED
X	INLET FROM MASTER - SIDE 1
Y	NOT USED
Z	NOT USED

ULTRA HI SATELLITE-MODEL NP5
ULTRA HI SINGLE SIDED DUAL SATELLITE-MODEL NP8
(DIMENSIONS ARE IN INCHES)

CLIENT:
K
CIRCLE K STORES, INC.
SOUTH ATLANTIC DIVISION
215 PENDELTON ST
WAYCROSS, GA 31501
PHONE: (912) 285-4011

DESIGN TEAM:
MDM SERVICES, INC.
engineering • environmental • construction
1055 KATHLEEN ROAD, LAKELAND, FLORIDA 33806
(813) 646-9130
EIT #004857

TANK & PIPING PLANS & SPECIFICATIONS

NO.	DATE	REVISION	DESCRIPTION

RICHARD B. MORRIS, P.E.
CA # 100000009

SITE ADDRESS:
CIRCLE K
1717 E 16th AVE.
CORDELE, CRISP COUNTY
GEORGIA

SCALE: MDM JOB # 20183
DATE: 9/01/2020
DESIGNED BY:
DRAWN BY: JR FILE NAME:
CHECKED BY:

DRAWING TITLE:
TRUCK DISPENSER DETAILS

SHEET NO.:
TA-5.1