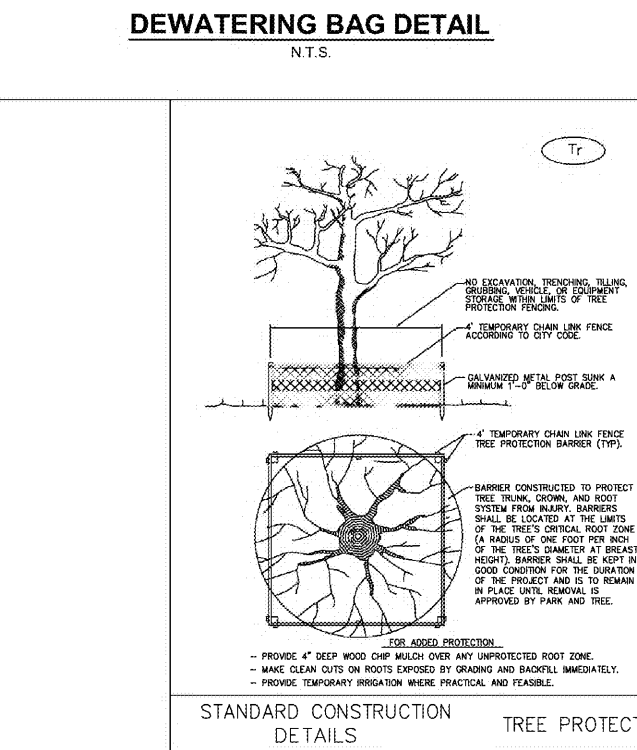
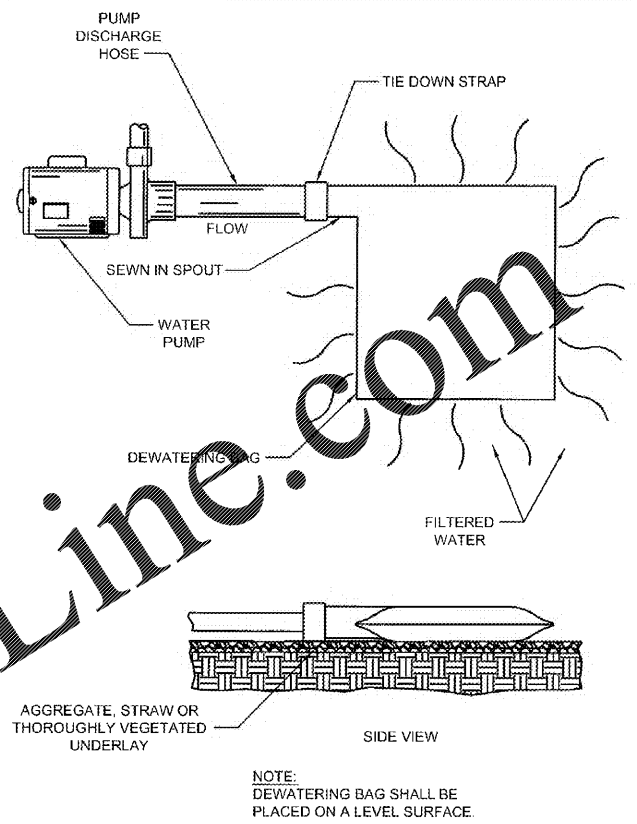
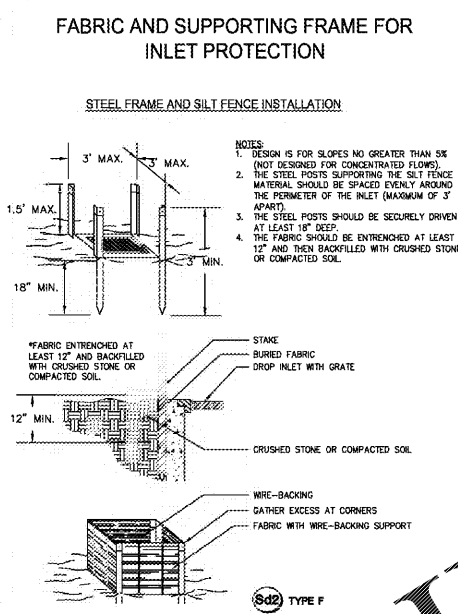
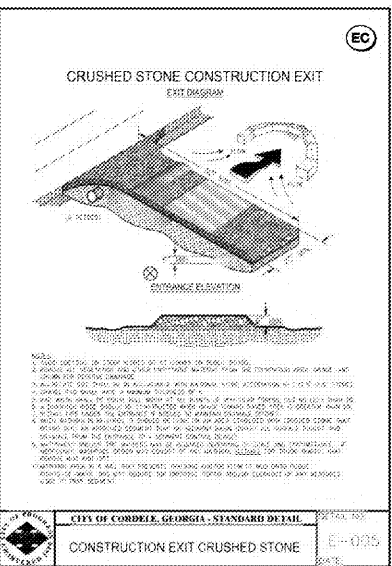
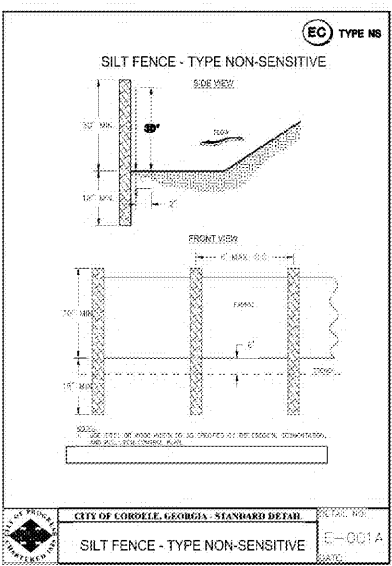
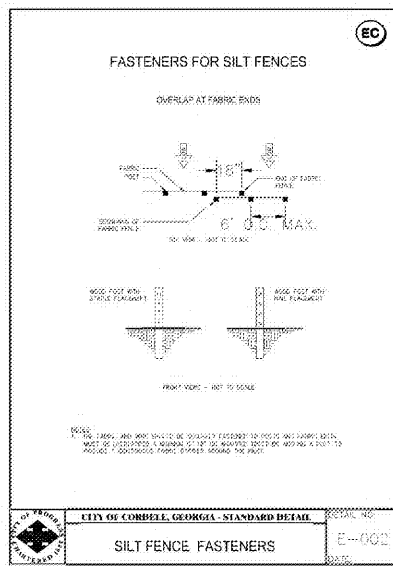
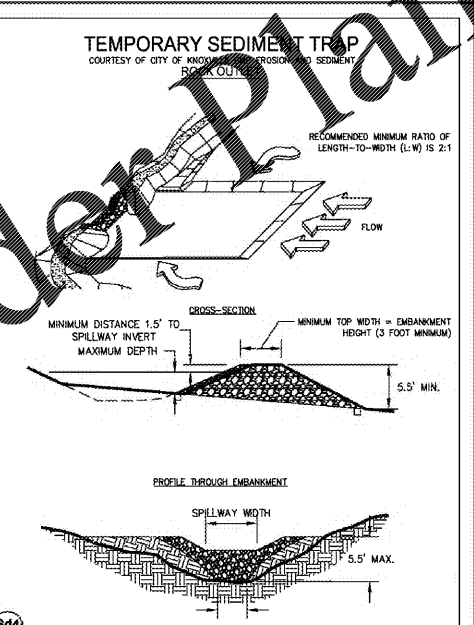
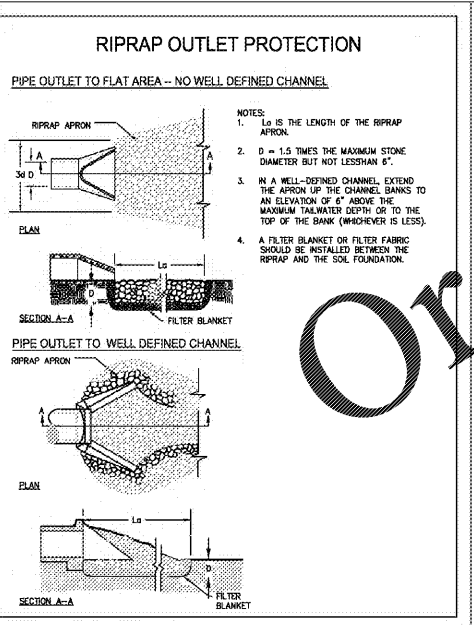
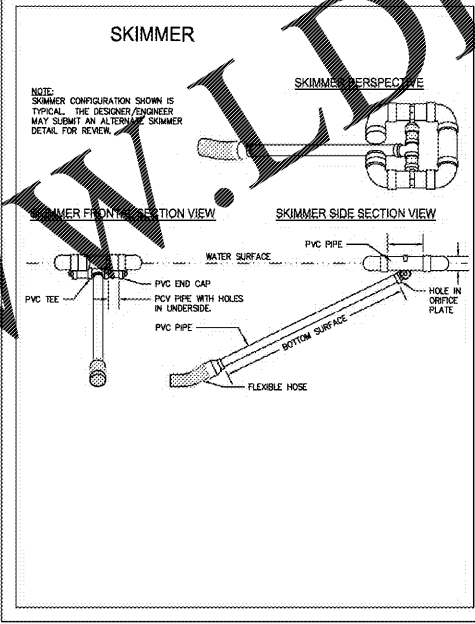
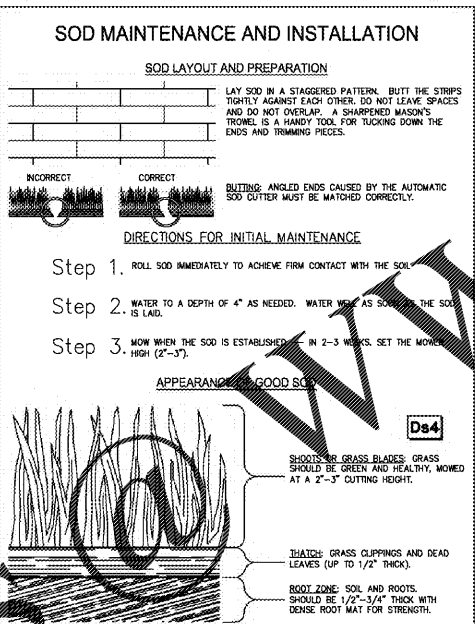
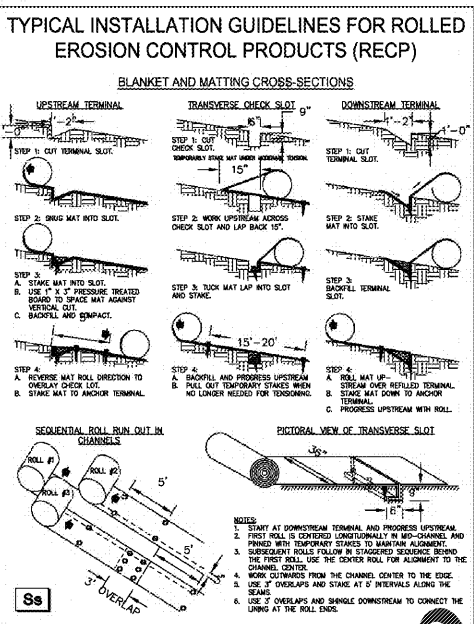
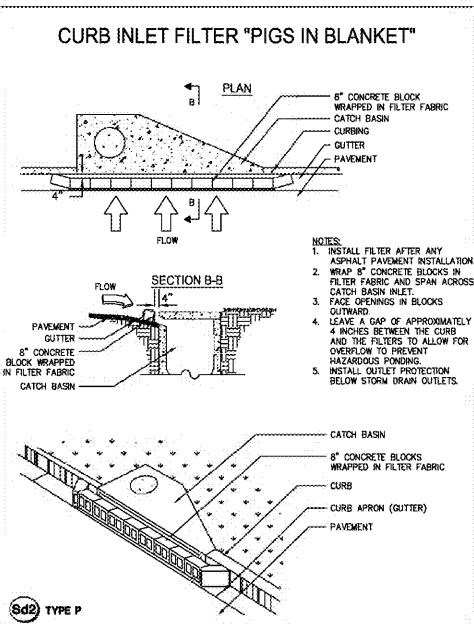


USER: 6675 - Date: 18, 2020 - 3:33pm
 Z:_All Project Data\Projects\2019\19-090-Circle K Cordele\Production Drawings\19-090-090-DETAILS.dwg



EROSION SEDIMENTATION, AND POLLUTION CONTROL DETAILS



DUST CONTROL

NOT TO SCALE

ADHESIVE	WATER DILUTION	TYPE OF NOZZLE	APPLICATION RATE (GAL/AC)
ANIONIC ASPHALT EMULSION	7 : 1	SPRAY	1,200
LATEX EMULSION	12-1/2 : 1	FINE SPRAY	235
RESIN-IN-WATER EMULSION	4 : 1	FINE SPRAY	300



Project Title
 CIRCLE K DIESEL EXPANSION
 CORDELE, GA (CRISP COUNTY)
 BY: CIRCLE K - SOUTH ATLANTIC DIVISION
 WAYCROSS, GA 31501

REVISIONS	BY

DRAWN BY RLP
CHECKED BY JLH
DATE 12/15/2020
SCALE NO SCALE
JOB No. 19-LD-090
SHEET NUMBER

D-4A