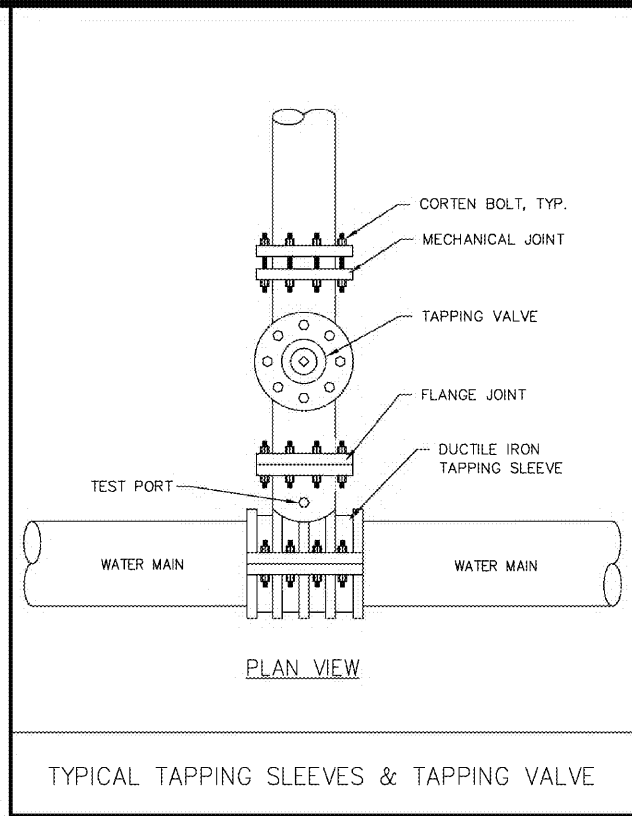
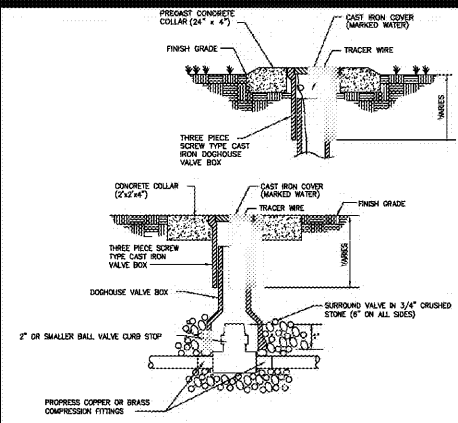


Order Plans @ www.LDILine.com



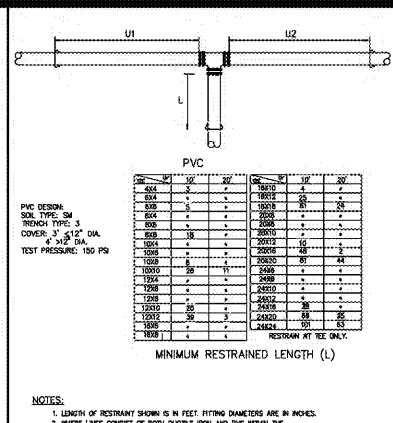
TYPICAL TAPPING SLEEVES & TAPPING VALVE



2" OR SMALLER WATER VALVE DETAIL

NOTES:
 1. THIS DETAIL APPLIES TO 2" AND SMALLER VALVES IN WATER MAINS AND LATERALS.
 2. IN UNPAVED AREAS, PROPERLY BED AND SET EDGE OF PRECAST CONCRETE COLLAR FLUSH WITH FINISHED GRADE. NO COLLAR REQUIRED IN PAVED AREAS, SET VALVE BOX FLUSH WITH PAVEMENT.
 3. VALVE BOX SHALL NOT REST ON THE VALVE OR ON THE LINE.
 4. CONNECT THE TRACER WIRE TO THE TRACER WIRE ON THE LINE WITH SPLICE CONNECTOR.

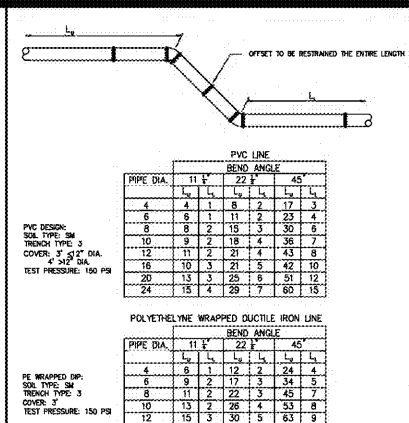
STANDARD CONSTRUCTION DETAILS



TEE RESTRAINT (PVC PIPE)

NOTES:
 1. LENGTH OF RESTRAINT SHOWN IS IN FEET. FITTING DIAMETERS ARE IN INCHES.
 2. WATER LINES CONSIST OF BOTH DUCTILE IRON AND PVC WITHIN THE LIMITS OF REQUIRED RESTRAINT LENGTHS FOR PVC SHALL APPLY.
 3. U1 AND U2 = UNINTERRUPTED STRAIGHT RUNS OF PIPE IN EACH DIRECTION.
 4. U1 = THE SMALLER OF U1 OR U2.
 5. L = MINIMUM RESTRAINED LENGTH ALONG THE BRANCH.
 6. WEDGE UP IS LESS THAN 5°, RESTRAINT TEE AS A 90°.
 7. INFORMATION IN THE TABLE ABOVE ARE BASED ON THE DESIGN INFORMATION SHOWN. THE ENGINEER SHALL PROVIDE ADEQUATE RESTRAINT LENGTHS IF SITE CONDITIONS DIFFER.

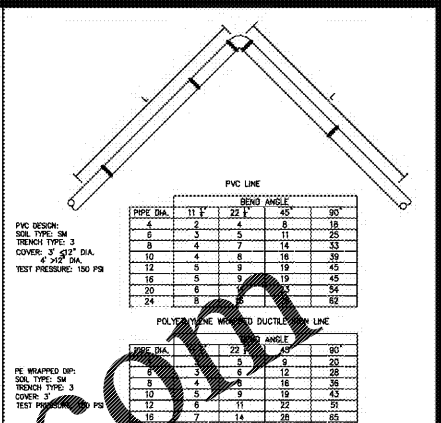
STANDARD CONSTRUCTION DETAILS



VERTICAL BEND RESTRAINT

NOTES:
 1. LENGTH OF RESTRAINT SHOWN IS IN FEET. PIPE DIA. IS IN INCHES.
 2. WATER LINES CONSIST OF BOTH DUCTILE IRON AND PVC WITHIN THE LIMITS OF REQUIRED RESTRAINT LENGTHS FOR PVC SHALL APPLY.
 3. INFORMATION IN THE TABLE ABOVE ARE BASED ON THE DESIGN INFORMATION SHOWN. THE ENGINEER SHALL PROVIDE ADEQUATE RESTRAINT LENGTHS IF SITE CONDITIONS DIFFER.

STANDARD CONSTRUCTION DETAILS



HORIZONTAL BEND RESTRAINT

NOTES:
 1. LENGTH OF RESTRAINT SHOWN IS IN FEET. PIPE DIAMETERS ARE IN INCHES.
 2. WATER LINES CONSIST OF BOTH DUCTILE IRON AND PVC WITHIN THE LIMITS OF REQUIRED RESTRAINT LENGTHS FOR PVC SHALL APPLY.
 3. INFORMATION IN THE TABLE ABOVE ARE BASED ON THE DESIGN INFORMATION SHOWN. THE ENGINEER SHALL PROVIDE ADEQUATE RESTRAINT LENGTHS IF SITE CONDITIONS DIFFER.

STANDARD CONSTRUCTION DETAILS

Project Title
CIRCLE K DIESEL EXPANSION
CORDELE, GA (CRISP COUNTY)
 BY: **CIRCLE K - SOUTH ATLANTIC DIVISION**
WAYCROSS, GA 31501

REVISIONS	BY

DRAWN BY: RLP
 CHECKED BY: JLH
 DATE: 12/15/2020
 SCALE: NO SCALE
 JOB No. 19-LD-090
 SHEET NUMBER

D-3