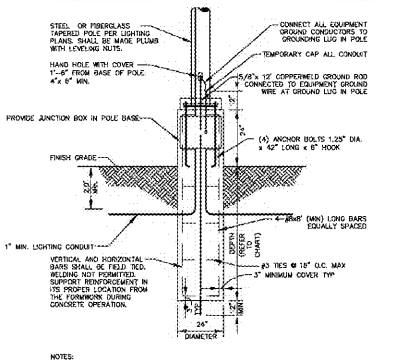
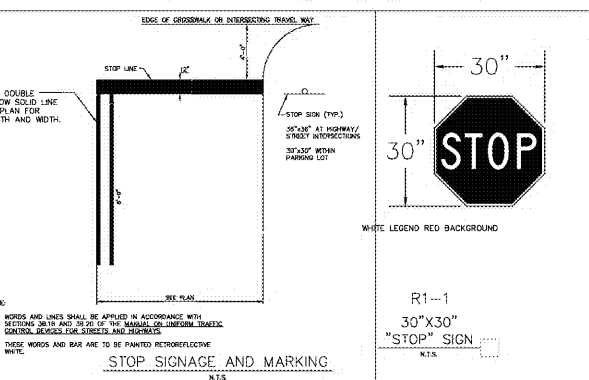
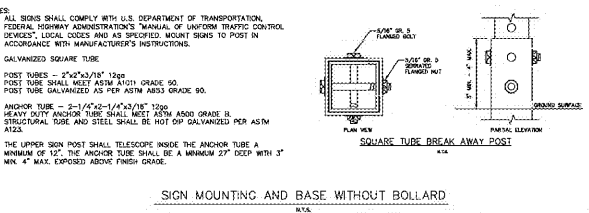
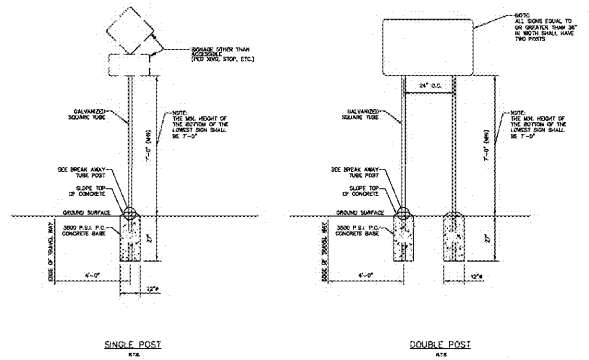
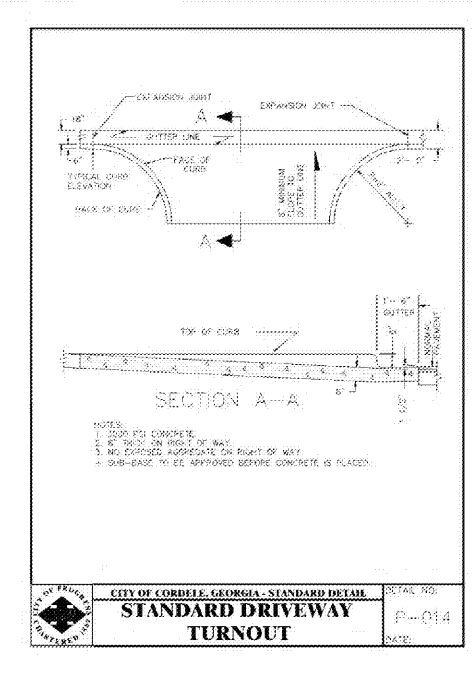
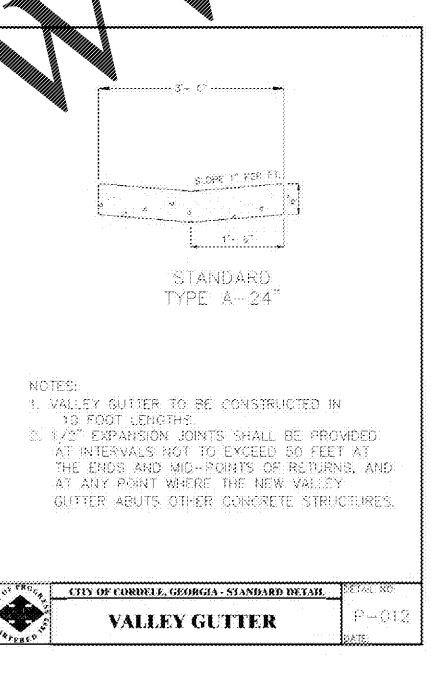
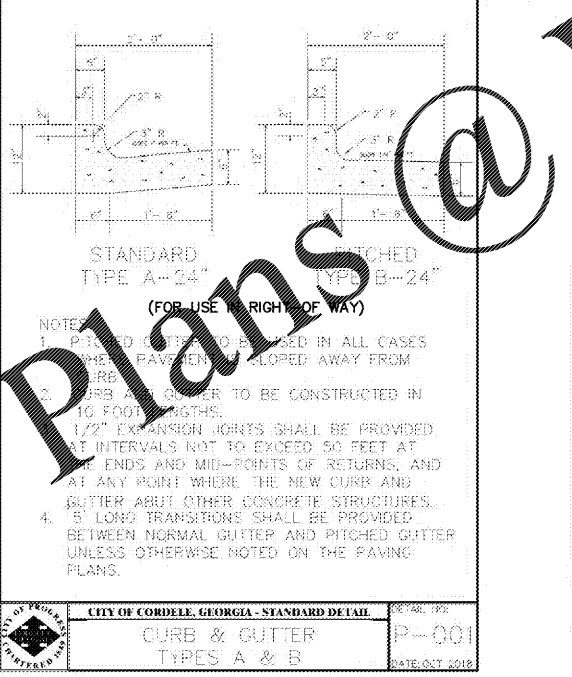
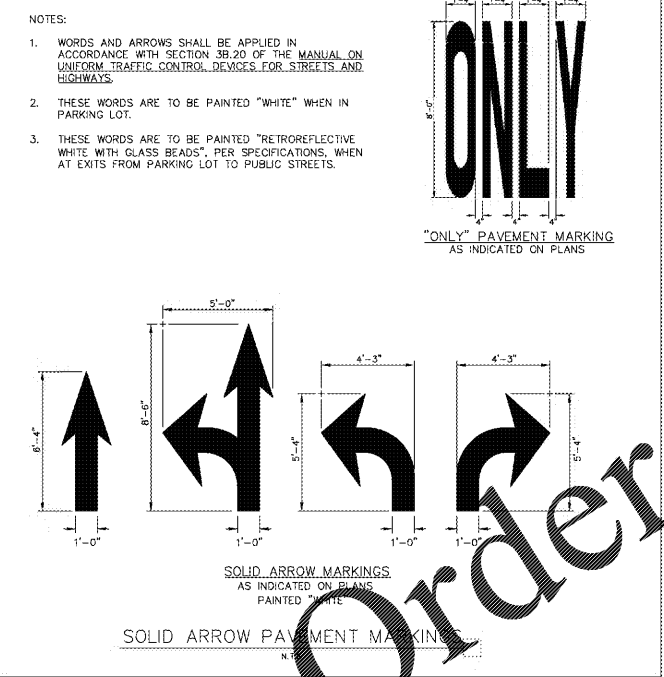
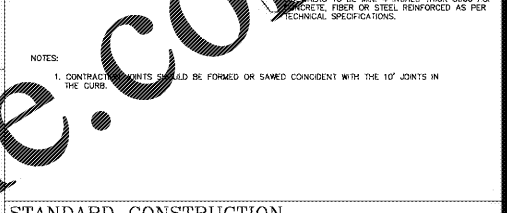
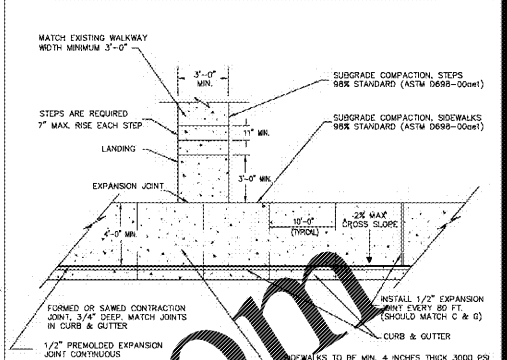
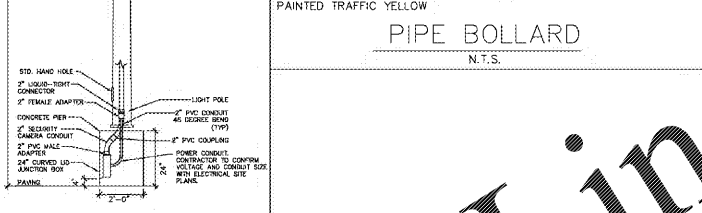
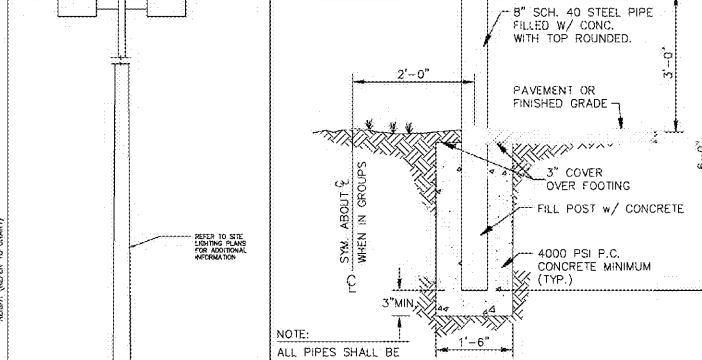
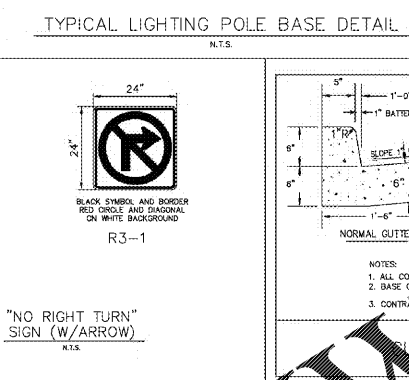


GENERAL NOTES
PER GEOTECHNICAL RECOMMENDATIONS IN THE GEOTECHNICAL REPORT BY UNIVERSAL ENGINEERING SERVICES, INC. DATED MARCH 20, 2020. CONTRACTOR SHALL ADHERE TO ALL RECOMMENDATIONS CONTAINED WITHIN THE REPORT.



POLE HEIGHT	BURIAL DEPTH
17'	4'
20'	5'



CLW
7 East Congress Street, Suite 305
Savannah, GA 31401
912.721.6999 · www.clwcompanies.com



Project Title
CIRCLE K DIESEL EXPANSION
CORDELE, GA (CRISP COUNTY)
BY: CIRCLE K - SOUTH ATLANTIC DIVISION
WAYCROSS, GA 31501

REVISIONS	BY
Rev #1 1-14-20	JML
Rev #2 3-3-20	RLP

DRAWN BY RLP
CHECKED BY JLH
DATE 12/15/2020
SCALE NO SCALE
JOB No. 19-LD-090
SHEET NUMBER

D-1A

SITE PLAN DETAILS

USER: 6675 - Date: 12/15/2020 - 3:33pm
Z:\All Project Data\Projects\2019\19-LD-090 Circle K Cordele GA\Production\Drawings\19-LD-090_DETALS.dwg

Order Plans @

WWW.WALDLine.com