

DRAWING INFORMATION		
DATE	DESCRIPTION	BY
10-28-20	PERMIT SET	

Engineering Professionals, Inc.
 Registered Engineers
 Tampa, FL 33603 (813) 237-6948



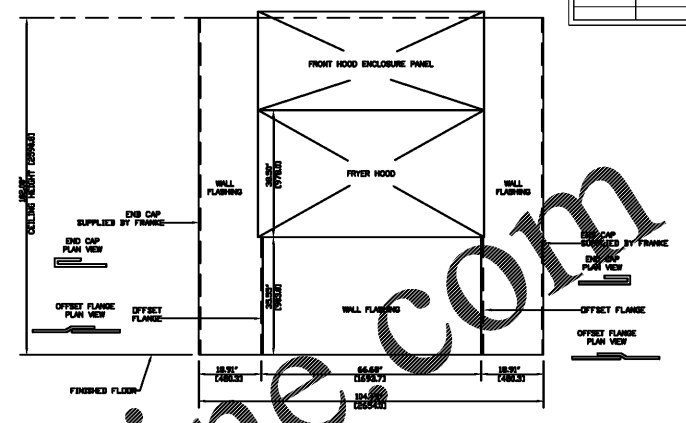
SHANE HAMILTON, P.E.
 912 W. MLK BLVD. TAMPA, FL
 GEORGIA LICENSE #PE141331

PALMETTO BURGER KING
 3765 ROOSEVELT HWY, PALMETTO, GA.
 FOR: JP DESIGN & CONSTRUCTION
 JACKSON, GA

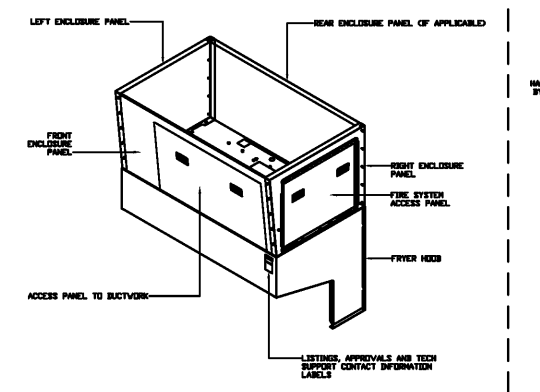
NO.	REVISIONS

SHEET TITLE
HOOD DETAILS

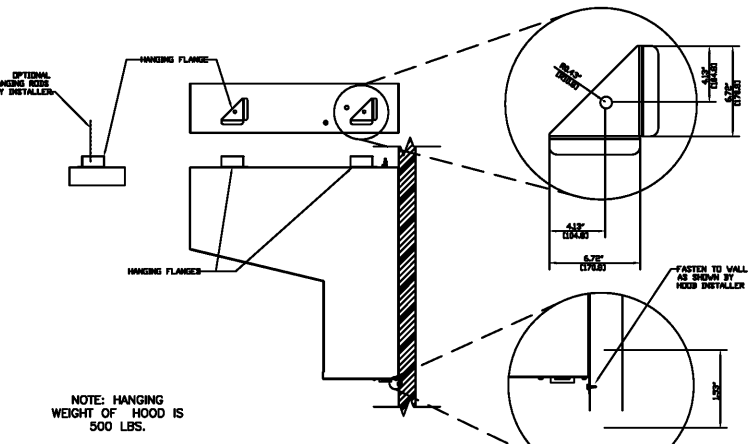
DATE: 10-30-20
 PROJECT NUMBER: 20-197
 SHEET NUMBER: M9



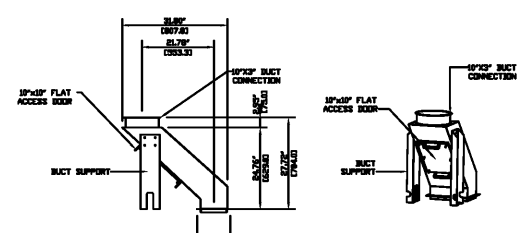
4 FRYER HOOD WALL FLASHING DETAIL
 3 SCALE: NO SCALE



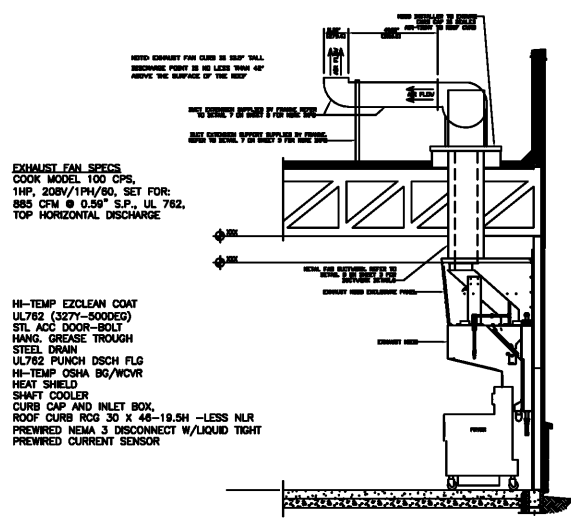
2 HOOD ENCLOSURE DETAIL
 3 SCALE: NO SCALE



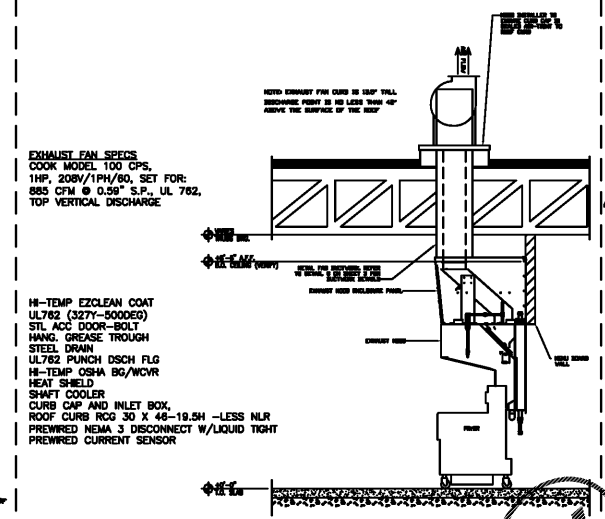
3 FRYER HOOD HANGING DETAIL
 3 SCALE: NO SCALE



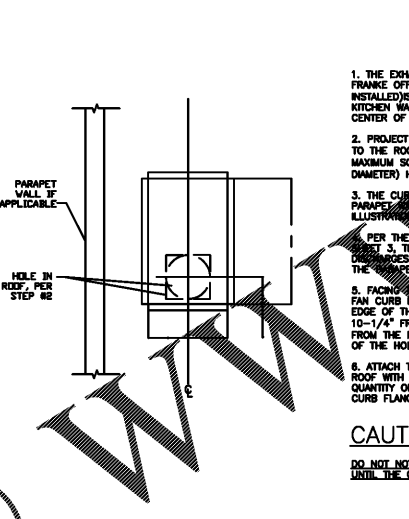
1 EXHAUST DUCT OFFSET DETAIL
 3 SCALE: NO SCALE



5 FRYER HOOD EXHAUST FAN DETAIL
 3 SCALE: NO SCALE



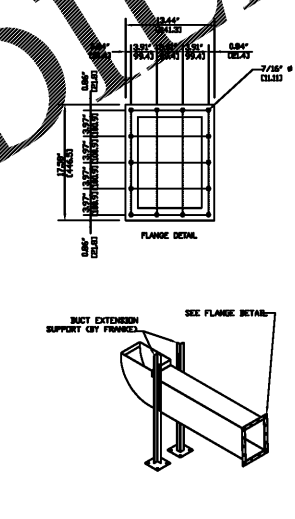
5a FRYER HOOD EXHAUST FAN DETAIL - FREESTANDING HOOD
 3 SCALE: NO SCALE



6 INSTRUCTIONS FOR TYPICAL MOUNTING OF THE ROOF CURB
 3 SCALE: NO SCALE

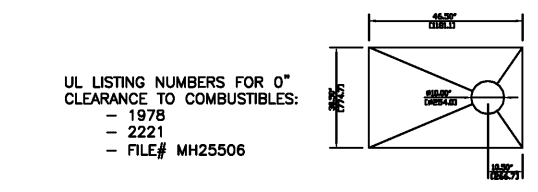
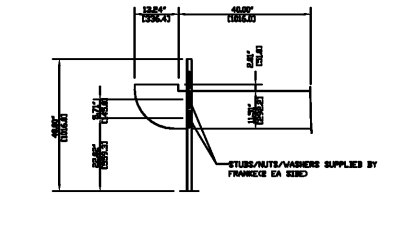
1. THE EXHAUST DUCT COLLAR (AFTER FRANKIE OFFSET TRANSITION IS INSTALLED) IS LOCATED 30" FROM KITCHEN WALL SHEET ROCK TO THE CENTER OF THE DUCT.
2. PROJECT THE CENTERLINE DIMENSION TO THE SQUARE AND CUT A (18" X18" MAXIMUM SQUARE OR 18" MAXIMUM DIAMETER) HOLE APPROX DIMENSION.
3. THE CURB IS SET PARALLEL TO THE PARAPET WALL AS PER THE ILLUSTRATION ON THIS SHEET.
4. PER THE DETAIL ON DETAIL 5 ON SHEET 3, THE EXHAUST FAN DISCHARGES MINIMUM AWAY FROM THE PARAPET WALL.
5. FACING THE PARAPET WALL WITH THE FAN CURB BEHIND OF YOU, THE LEFT EDGE OF THE ROOF CURB SHOULD BE 10-1/4" FROM THE LEFT (2"-11 3/4" FROM THE RIGHT) OF THE CENTERLINE OF THE HOLE IN THE ROOF.
6. ATTACH THE ROOF CURB TO THE ROOF WITH THE CORRECT TYPE AND QUANTITY OF SCREWS THROUGH THE CURB FLANGE.

CAUTION!
 DO NOT INSTALL THE EXHAUST FAN UNTIL THE GREASE DUCT IS INSTALLED!



7 EXHAUST FAN EXTENSION DUCT DETAIL
 3 SCALE: NO SCALE

1. ATTACH THE PROVIDED DUCT EXTENSION SUPPORT LEGS PROVIDED. DO NOT TIGHTEN NUTS.
2. ATTACH 1/8" BEAD OF THE PROVIDED FIRE STOP TO THE OUTLET FLANGE AND FAN DISCHARGE EXTENSION FLANGE.
3. PLACE GASKET MATERIAL ON ONE OF THE FLANGES USING THE FIRE STOP APPLIED IN STEP TWO TO HOLD IT IN PLACE.
4. CLAMP AND BOLT THE TWO FLANGES TOGETHER WITH THE NUTS, WASHERS AND BOLTS PROVIDED AND TIGHTEN.
5. ADJUST SUPPORT LEGS SO THE EXTENSION SLOPES SLIGHTLY TOWARD THE FAN. TIGHTEN THE NUTS FROM STEP 1.
6. SCREW THE SUPPORT LEG FLANGES INTO THE ROOF (SCREWS NOT PROVIDED).



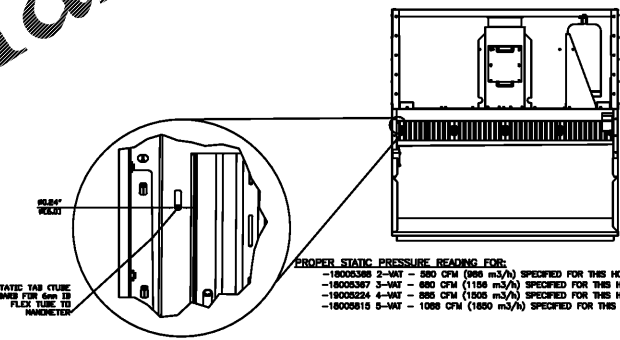
8 METAL-FAB DUCT DETAIL
 3 SCALE: NO SCALE



ADAPTER PLATE FITS 46" X 30" CURB

CONFIRMING THE EXHAUST HOOD AIR VOLUME
 FRANKIE RECOMMENDS MEASURING THE STATIC PRESSURE IN THE PLUMBING AS THE STATIC PRESSURE IN THE PLUMBING. THE STATIC PRESSURE MEASUREMENTS OF THE HOOD NEAR THE EXHAUST FLANGE FILTERS AS SHOWN IN THE DIAGRAM ON THIS SHEET.

REQUIREMENTS:
 - A 1/4" DIAMETER BRASS TUBE 18 INCHES OF WATER COLUMN LENGTH WITH A 3/16" DIAMETER TUBE TO CONNECT TO THE HOOD. THE TUBE SHOULD BE 1/2" FROM THE HOOD FLANGE AND 1/2" FROM THE HOOD WALL.
 - THE TUBE SHOULD BE INSULATED AT ROOM TEMPERATURE WITH FOAM INSULATION TO PREVENT CONDENSATION AND COOL.



9 EXHAUST VOLUME CONFIRMATION
 3 SCALE: NO SCALE

IF:	THEN:					NOTES
	EXHAUST FAN	ELECTRIC POWER TO COOKING EQUIPMENT	MECHANICAL GAS VALVE	HVAC UNITS	MAKE-UP AIR UNITS (IF AVAILABLE)	
FAN SWITCH IS TURNED ON	ON	ON	ON	ON	ON	HVAC MUST BE ON FOR EXHAUST FAN TO OPERATE
FAN SWITCH IS TURNED OFF	OFF	OFF	ON	ON	OFF	
FIRE SUPPRESSION DISCHARGES	ON	OFF	OFF	OFF	OFF	
FAN BELT IS SLIPPING	ON	OFF	ON	ON	OFF	POWER TO COOKING EQ. OFF VIA CURRENT SENSOR
FAN BELT IS BROKEN	ON	OFF	ON	ON	OFF	POWER TO COOKING EQ. OFF VIA CURRENT SENSOR
LOSS OF POWER	OFF	OFF	ON	OFF	OFF	
HVAC IS SWITCHED OFF	OFF	OFF	ON	OFF	OFF	

10 CONTROL MATRIX
 3 SCALE: NO SCALE

HVAC SYSTEM
NCA
 CONSULTANTS / GROUP
 6510 N. 125TH AVENUE, SUITE #1001
 LARGO, FLORIDA
 PHONE: (877) 530-0278
 CALL NCA MARKETING FOR PRICING
 NCA JOB# 20963

©Copyright 2020- Drawings, specifications, notes, database, computer files, field data, and reports as instruments of service prepared by the Design of Record. As instruments of services, these items remain the property of the Design of Record, who shall retain all statutory and other reserved rights, including the copyright thereto. Any use, reproduction or changes to these documents without written consent of NCA Consultants is a violation of federal copyright laws.