

DRAWING INFORMATION		
DATE	DESCRIPTION	BY
10-28-20	PERMIT SET	JJ

Engineering Professionals, Inc.
Professional Engineers
912 W. Dr. Martin Luther King Jr. Blvd.
Tampa, FL 33602 (813) 271-6848

SHANE HAMILTON, P.E.
912 W. MLK BLVD. TAMPA, FL
GEORGIA LICENSE #PED41331

PALMETTO BURGER KING
3765 ROOSEVELT HWY, PALMETTO, GA.
FOR: JP DESIGN & CONSTRUCTION
JACKSON, GA

REVISIONS

SHEET TITLE
MECHANICAL ROOF PLAN

DATE: 10-30-20
PROJECT NUMBER: 20-197
SHEET NUMBER: M2

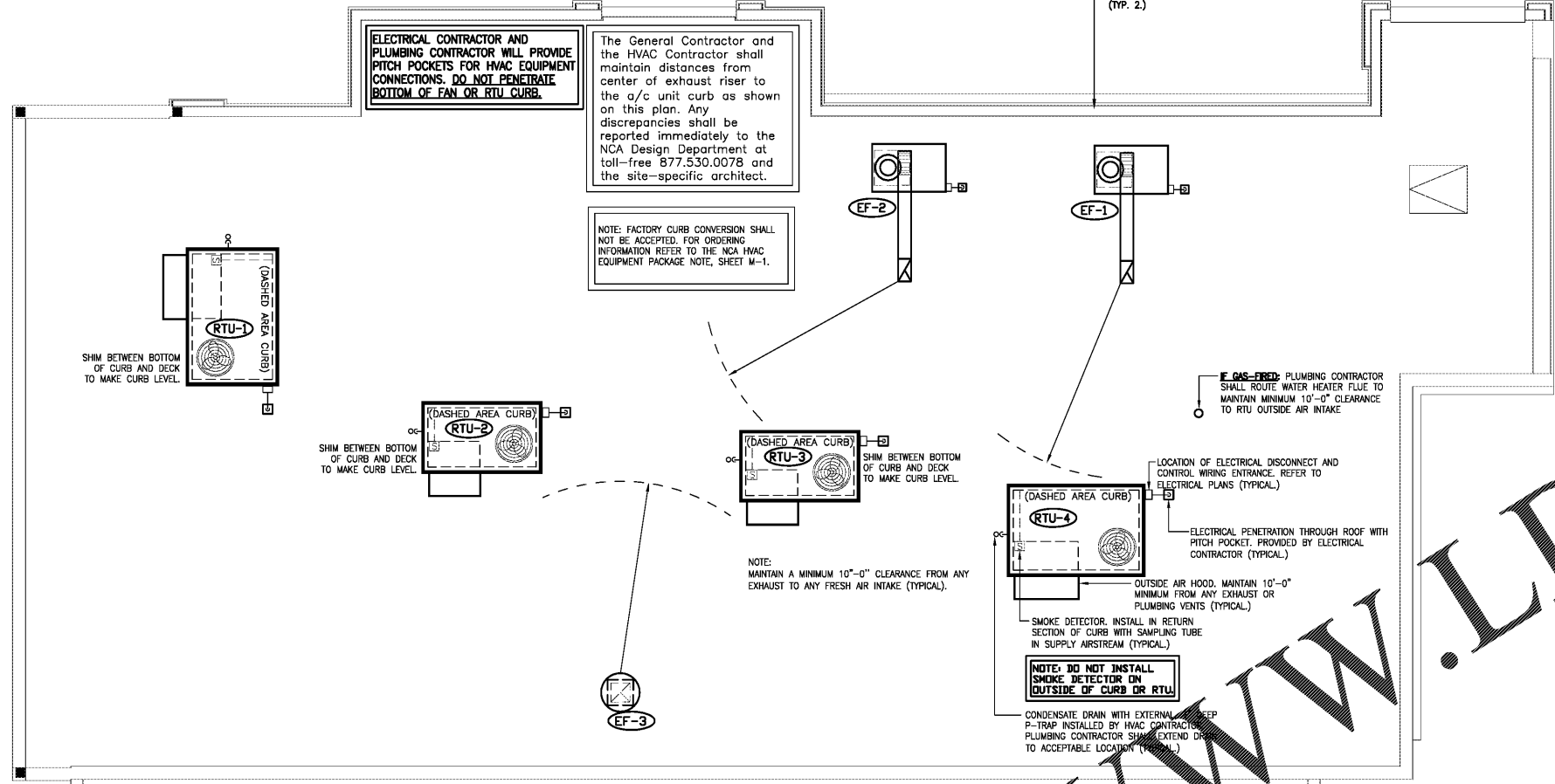
HVAC CONTRACTOR SHALL NOT DISASSEMBLE THE EXHAUST FAN TO RECONFIGURE THE EXHAUST DISCHARGE

NOTE: EXCLUDING THE DUCT THAT SHIPS WITH THE HOODS, THE EXHAUST RISERS CANNOT HAVE ADDITIONAL 'FIELD' OFFSETS. TRUSSES CLOSEST TO THE EXHAUST RISERS MUST BE SPACED SO THAT NO ADDITIONAL OFFSETS ARE NEEDED. FIELD VERIFY AND COORDINATE WITH GENERAL CONTRACTOR (TYP. 2).

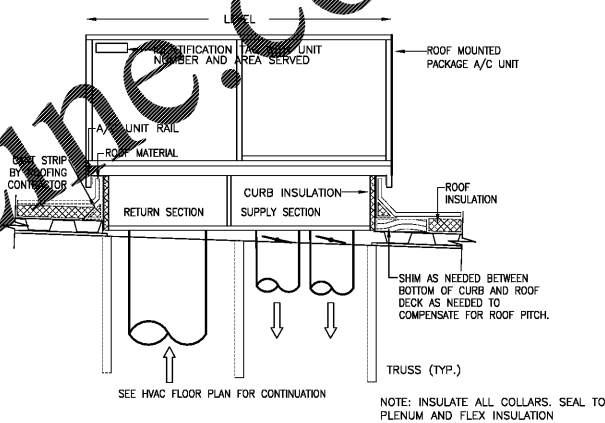
ELECTRICAL CONTRACTOR AND PLUMBING CONTRACTOR WILL PROVIDE PITCH POCKETS FOR HVAC EQUIPMENT CONNECTIONS. DO NOT PENETRATE BOTTOM OF FAN OR RTU CURB.

The General Contractor and the HVAC Contractor shall maintain distances from center of exhaust riser to the a/c unit curb as shown on this plan. Any discrepancies shall be reported immediately to the NCA Design Department at toll-free 877.530.0078 and the site-specific architect.

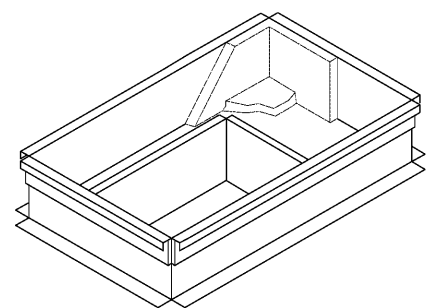
NOTE: FACTORY CURB CONVERSION SHALL NOT BE ACCEPTED. FOR ORDERING INFORMATION REFER TO THE NCA HVAC EQUIPMENT PACKAGE NOTE, SHEET M-1.



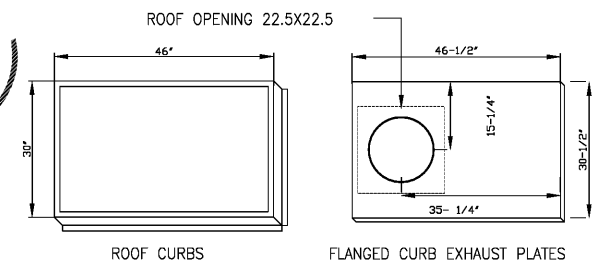
ROOF PLAN - HVAC
SCALE 1/4" = 1'-0" WHEN PLOTTED 36" X 24" 20993



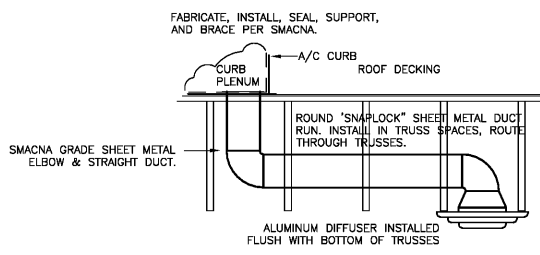
DUCT RISER/LEVELING DETAIL
NOT TO SCALE



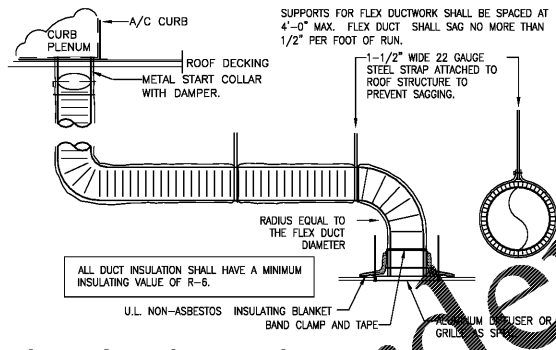
FACTORY CURB CONVERSION SHALL NOT BE ACCEPTED.
NCA PLENUMIZED AC CURB DETAIL
NOT TO SCALE



EXHAUST FAN CURB/CURB PLATE
NOT TO SCALE



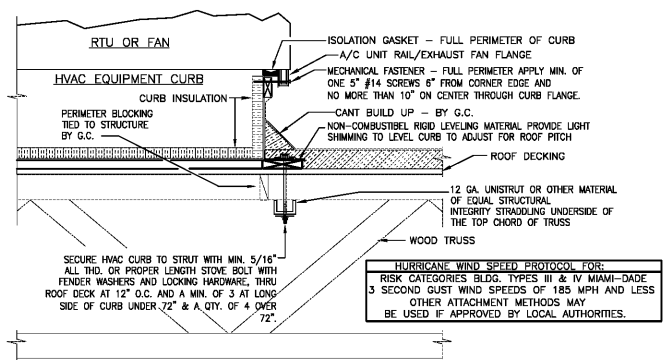
RTU-1,2 DUCT CONNECTION/INSTALL DETAIL
NOT TO SCALE



FLEXDUCT CONNECTION/INSTALL DETAIL
NOT TO SCALE

DUCT SCHEDULE SIZE	GAUGE
6" - 8"	28
10" - 12"	26
14" - 16"	24
18" - 20"	22

DUCT SCHEDULE SIZE	GAUGE
6" - 8"	28
10" - 12"	26
14" - 16"	24
18" - 20"	22



ACCEPTABLE FOR 170 MPH WIND ZONE
ROOF EQUIP. CURB MOUNTING DETAIL
NOT TO SCALE

HVAC SYSTEM
NCA
CONSULTANTS / GROUP
6510 N. 125TH AVENUE, SUITE #1001
LARGO, FLORIDA
PHONE: (877) 530-0078
CALL NCA MARKETING FOR PRICING
NCA JOB# 20963

©Copyright 2020- Drawings, specifications, notes, database, computer files, field data, and reports as instruments of service prepared by the Design of Record. As instruments of services, these items remain the property of the Design of Record, who shall retain all statutory and other reserved rights, including the copyright thereto. Any use, reproduction or changes to these documents without written consent of NCA Consultants is a violation of federal copyright laws.