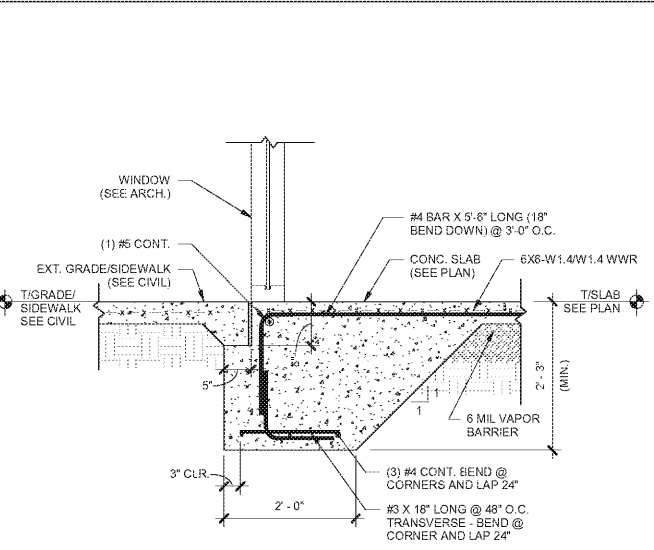
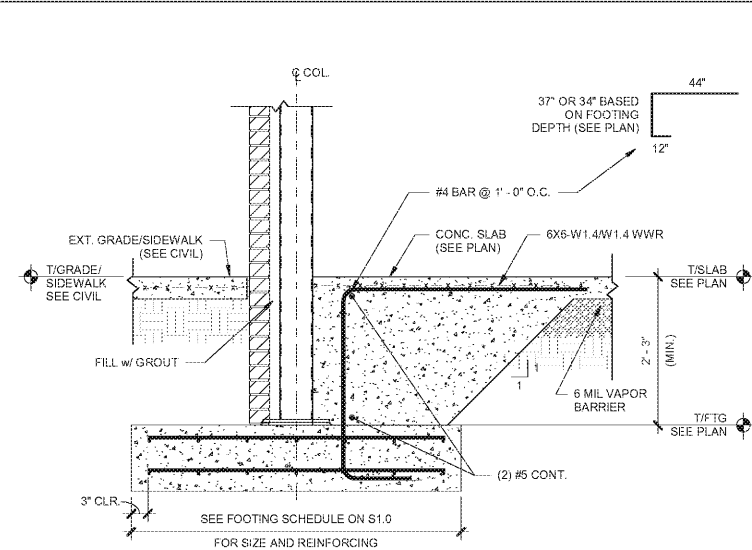


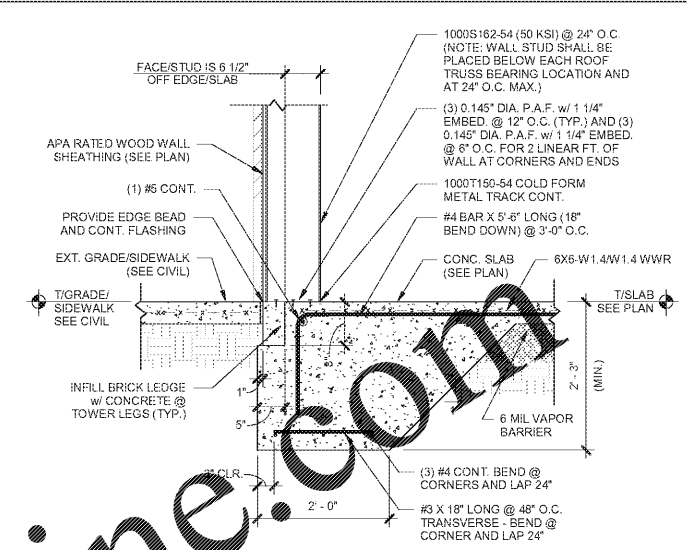
1 TYP. FOOTING DETAIL  
S3.1 3/4" = 1'-0"



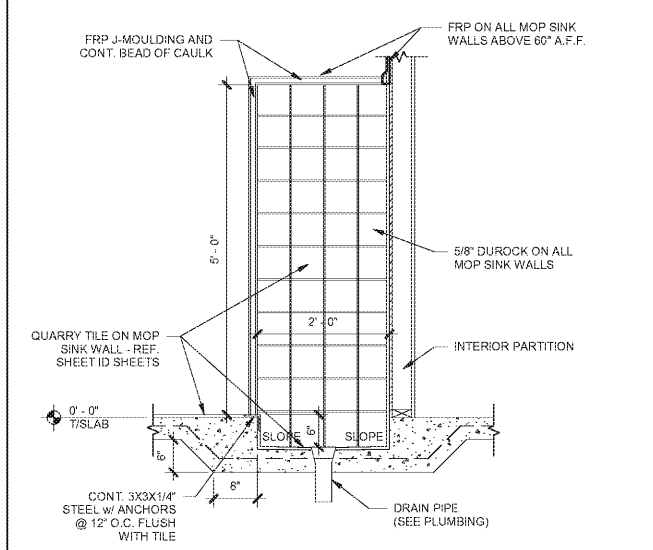
2 TYP. EXTERIOR DOOR SLAB DETAIL  
S3.1 3/4" = 1'-0"



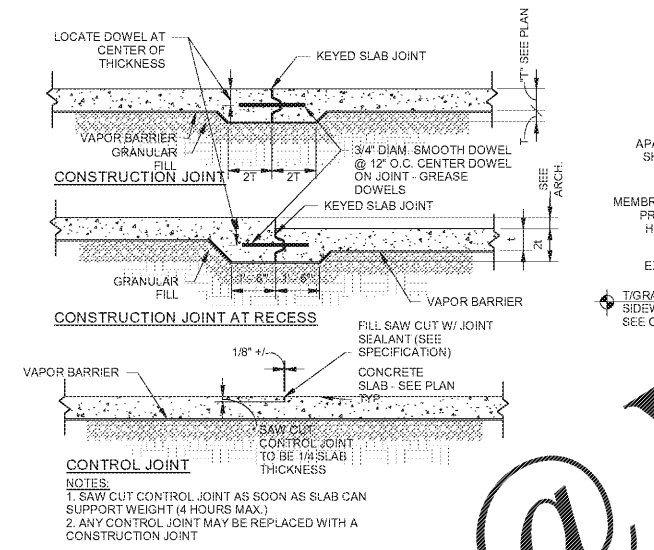
3 DETAIL @ COL. FOOTING  
S3.1 3/4" = 1'-0"



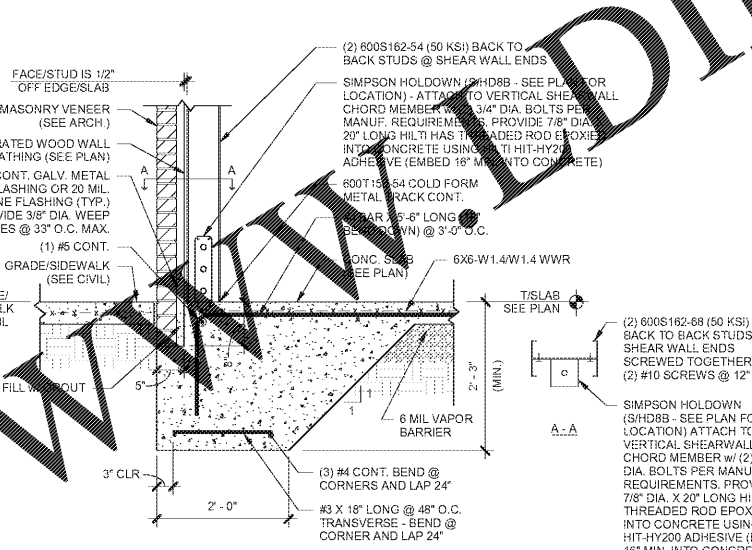
4 IMAGE ELEMENT FOOTING DETAIL  
S3.1 3/4" = 1'-0"



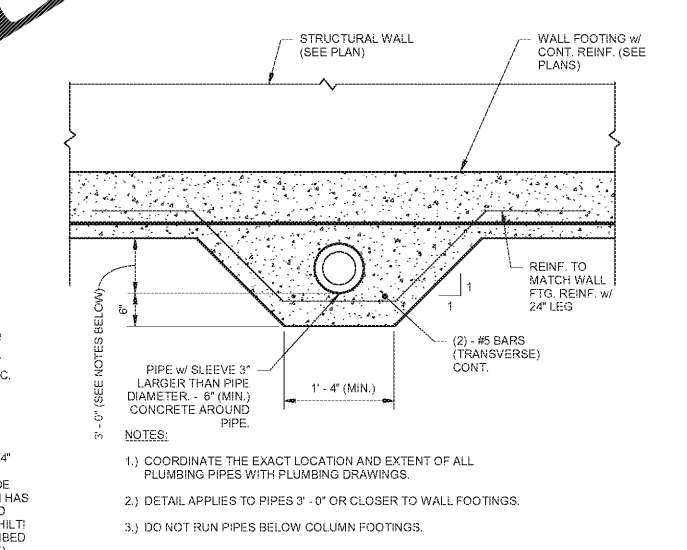
5 MOP SINK SLAB DETAIL  
S3.1 3/4" = 1'-0"



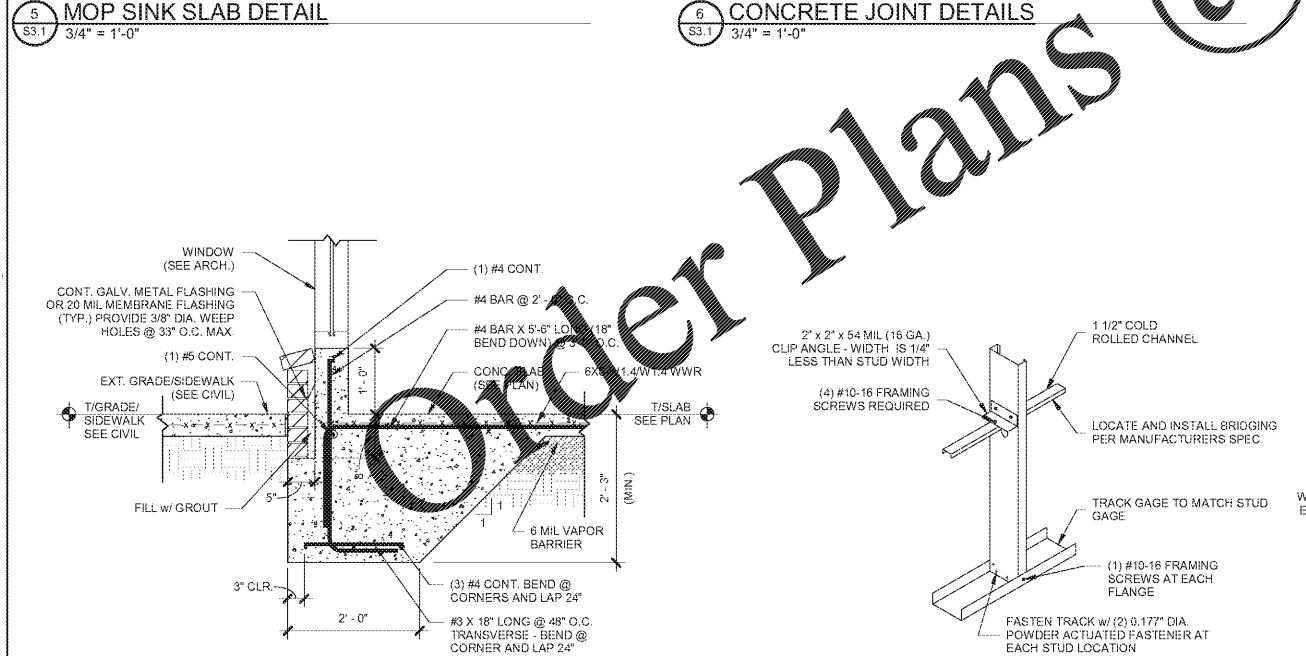
6 CONCRETE JOINT DETAILS  
S3.1 3/4" = 1'-0"



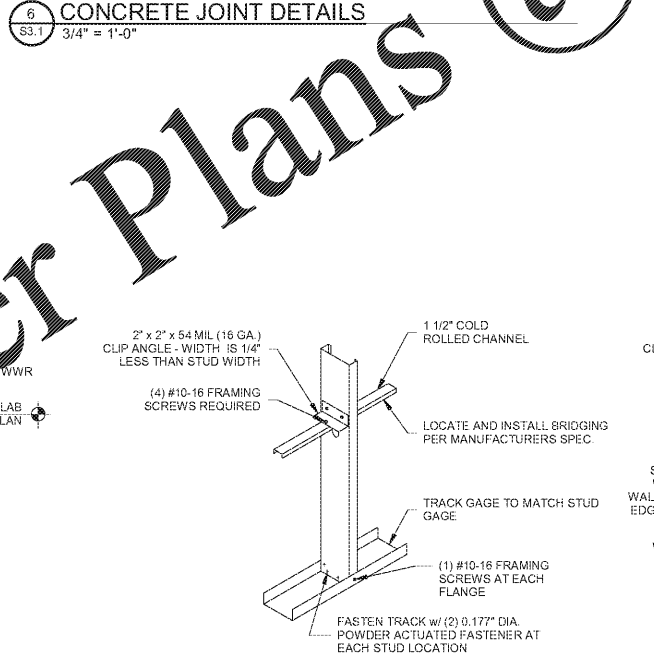
7 SHEAR WALL HOLD DOWN DETAIL  
S3.1 3/4" = 1'-0"



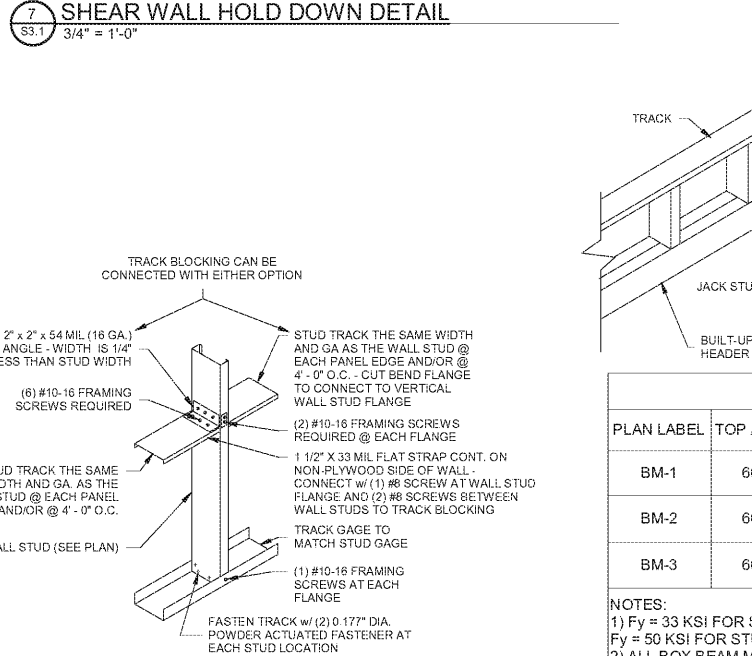
8 PIPE < 3'-0" BELOW FOOTING DETAIL  
S3.1 3/4" = 1'-0"



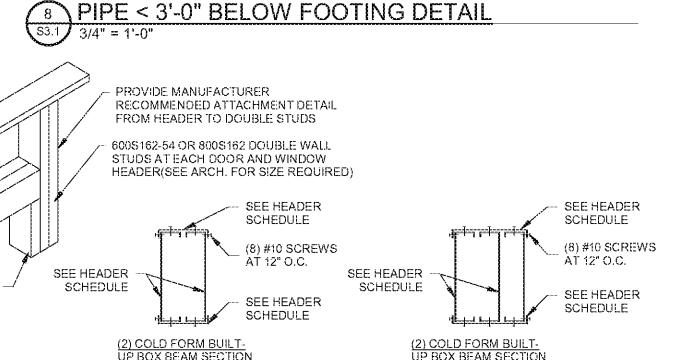
9 FOOTING DETAIL @ WINDOW  
S3.1 3/4" = 1'-0"



10 METAL STUD TRACK AND BRIDGING  
S3.1 3/4" = 1'-0"



11 METAL STUD OPENING FRAMING  
S3.1 3/4" = 1'-0"



HEADER SCHEDULE				
PLAN LABEL	TOP AND BOTTOM	WEB	STIFFENER	NUMBER OF JACK STUDS
BM-1	600T150-54	(2) 800S162-54	54 MIL X 6"D w/ (8) #10 SDS	1
BM-2	600T150-54	(2) 1000S162-54	54 MIL X 8"D w/ (12) #10 SDS	1
BM-3	600T150-68	(3) 1000S200-68	68 MIL X 8"D w/ (12) #10 SDS	2

NOTES:  
1)  $F_y = 33$  KSI FOR STUD THICKNESSES OF 18MIL TO 43MIL  
 $F_y = 50$  KSI FOR STUD THICKNESSES OF 54 MIL TO 97MIL  
2) ALL BOX BEAM METAL STUDS SHALL BE UNPUNCHED

NO.	REVISION

Order Plans @

11/4/2020 4:23:27 PM C:\Users\ldam\Documents\Revit\20197\Sheet R20.dwg.rvt