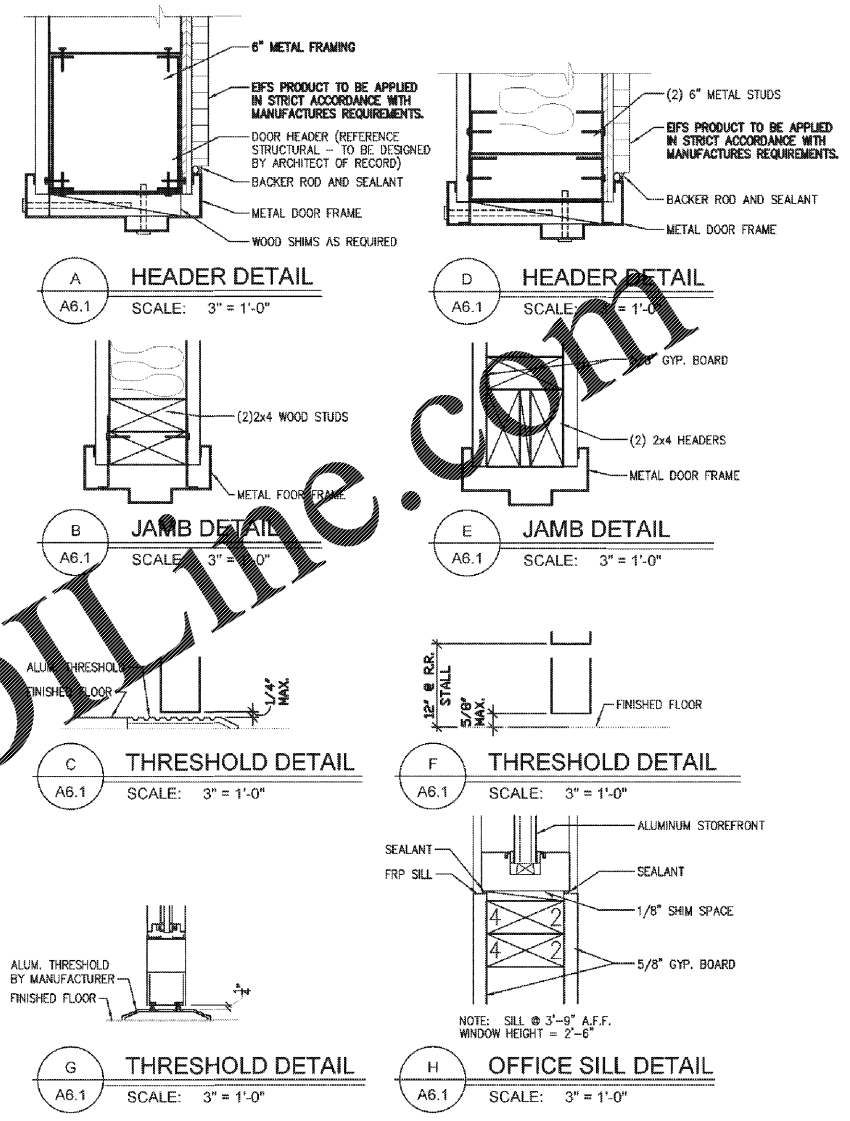
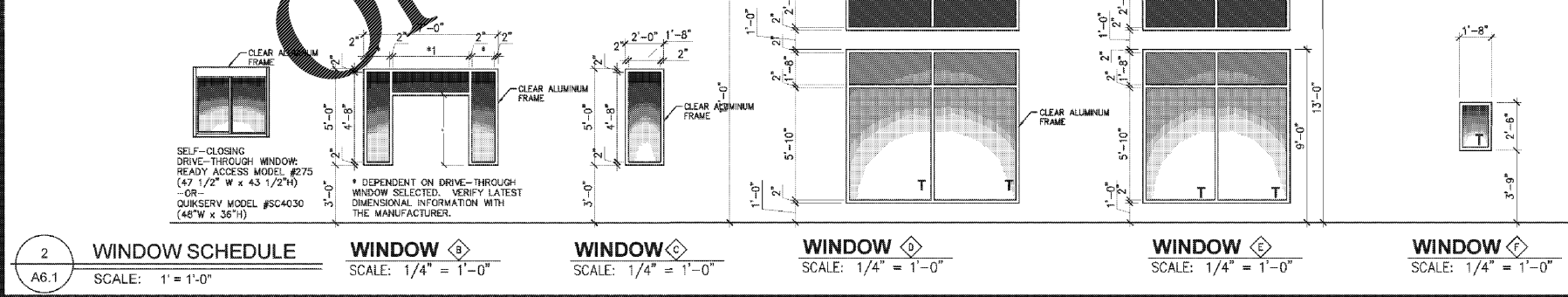


1 DOOR SCHEDULE
 A6.1 SCALE: 1" = 1'-0"

DOOR #	DESCRIPTION
2	3'-0" x 7'-0" x 1 3/4" AD x AF ALUMINUM / GLASS
1	3'-0" x 7'-0" x 1 3/4" AD x AF ALUMINUM / GLASS
3/4	4'-0" x 7'-0" x 1 3/4" MD x MF HOLLOW METAL
5	3'-0" x 6'-8" x 1 3/4" WD x AF SOLID CORE HPL
9/10	4'-0" x 7'-0" x 1 3/4" MD x MF HOLLOW METAL
6/7	3'-0" x 6'-8" x 1 3/4" WD x MF SOLID CORE HPL
8	3'-0" x 6'-8" x 1 3/4" WD x MF SOLID CORE HPL/GLASS



Specified Products and Approved Equals

Hinges - Provide features, functions, size and finish as shown in hardware sets.

HAGER	BB1279	BB1168	205
MOUNNEY	TA2714	TA4379C	
DEANER	DB5000	DB5004	

Locks - Provide features, functions and finish as shown in hardware sets.

FALCON - DEADLOCK	D071		NO SUBSTITUTION
SCHLAGE	ALS3PD	AL405	
YALE	AUS307UN	AUS302UN	
FALCON	BS11D	BS01D	

Exit Device - Provide features, functions and finish as shown in hardware sets.

VON DUREN	22 ED		
YALE	2100 ED		
SARGENT	3026 ED		

Closers - Provide features, functions and finish as shown in hardware sets.

LCN	1461	4119 H CUBR	
YALE	5901	44251/44211	
DCRMA	621C	691C D07/695C D07	

Push/Pull, KP, Stops, Etc. - Provide features, functions, size and finish as shown in hardware sets.

HAGER	KICKPLT 1935	PULL PLT H33E	PUSH PLT 305	FL STOP 241F	WALL STOP 230W	VIEWER 175C
ROCKWOOD	K1050 BSE	BF106 X 70C	70C	441CU	409	622
TRIMCO	K0050	101.7.3.2 (FPO)	1001-3	121	12700V	07CU

Weatherstripping, Thresholds, Etc. - provide features, functions, size and finish as shown in hardware sets.

NATIONAL GUARD	THRESHOLD 325A	SWEEP 2000A	WEATHERSTRIP 1605A
FERRIS	225A	3 150N	803AS
ZERO	1C75A	32A	99A

ROBERTSON LOIA ROOF ARCHITECTS & ENGINEERS
 3460 Preston Ridge Road, Suite 275, Alpharetta, Georgia 30005
 770-674-2600, Fax 678-319-0745

STATE OF GEORGIA
 CHRISTIAN J. CASTIN
 REGISTERED ARCHITECT

PALMETTO BURGER KING
 3765 ROOSEVELT HWY, PALMETTO, GA.
 FOR: **JP DESIGN & CONSTRUCTION**
 JACKSON, GA.

REVISIONS

NO.	DESCRIPTION

DOOR & WINDOW SCHEDULE - BK

DATE 10-30-20
PROJECT NUMBER 20-197
SHEET NUMBER A6.1

Friday, November 05, 2020 10:08:08 AM
 N:\Projects\2019\2019-197\Architectural\Drawings\A6.1.dwg
 User: jld
 Plot: 10/30/20 10:08:08 AM