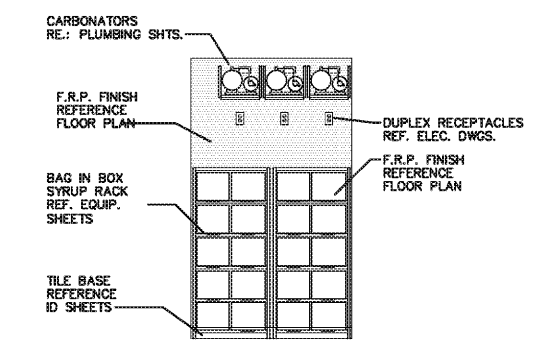
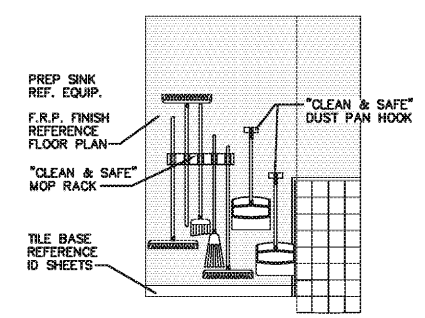
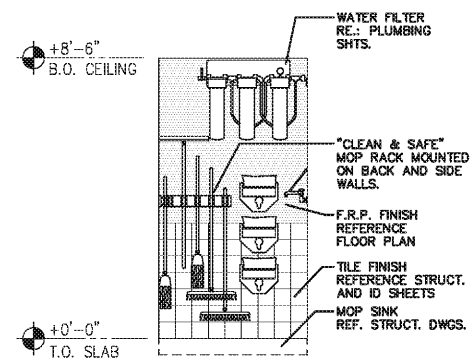
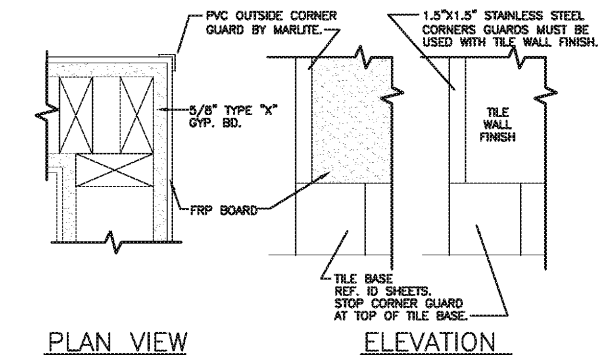
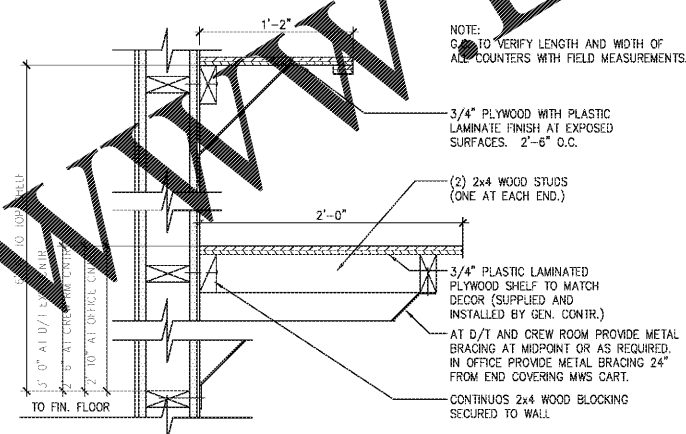
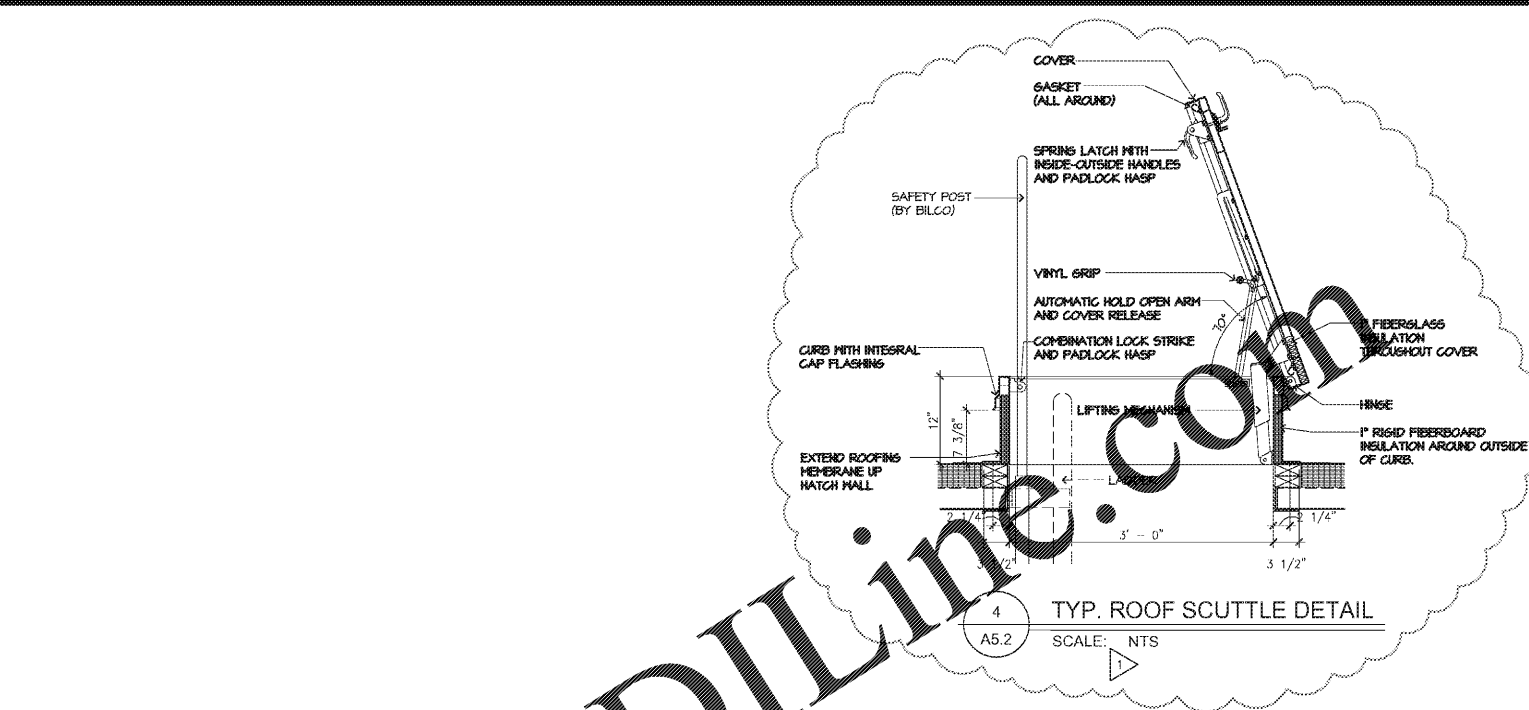


Order Plans @



ROBERTSON LOIA ROOF ARCHITECTS & ENGINEERS
3460 Preston Ridge Road, Suite 275, Alpharetta, Georgia 30005
770-674-2600 Fax 678-319-0745



PALMETTO BURGER KING
9165 ROOSEVELT HWY, PALMETTO, GA.
FOR JP DESIGN & CONSTRUCTION JACKSON, GA.

| REVISIONS |
|-------------------------------------|
| 12/01/20 PLAN REVIEW COMMENTS |
| |
| |
| |
| |

MISCELLANEOUS DETAILS
DATE 10-30-20
PROJECT NUMBER 20-197
SHEET NUMBER A5.2

Thursday, December 01, 2020 10:27:46am C:\gd\...
N:\P\061503\A5.2\A5.2.dwg
User: jburger