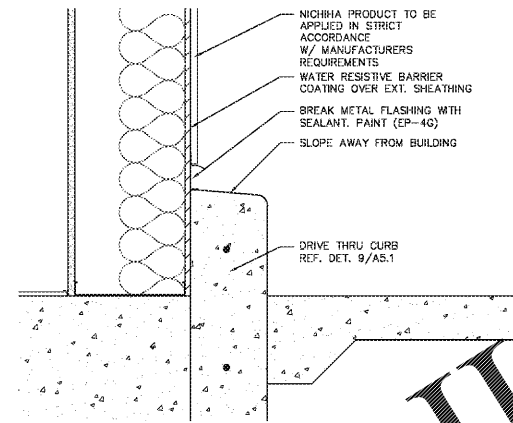
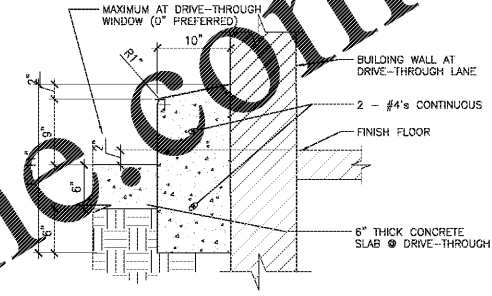


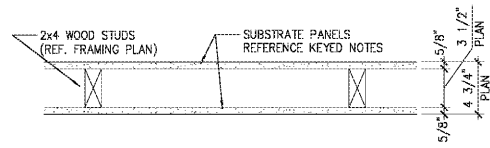
GENERAL NOTE:  
WALL STUD SHALL BE PLACED  
BELOW EACH ROOF TRUSS  
BEARING LOCATION AND AT  
24" O.C. MAXIMUM)



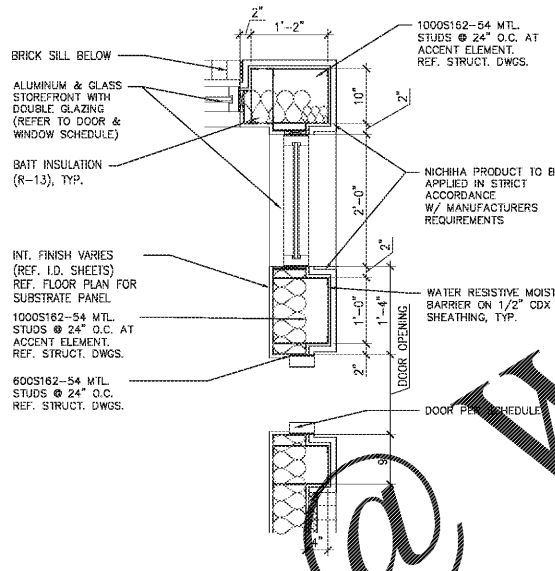
12 CURB FLASHING DETAIL  
SCALE: 3/4" = 1'-0"



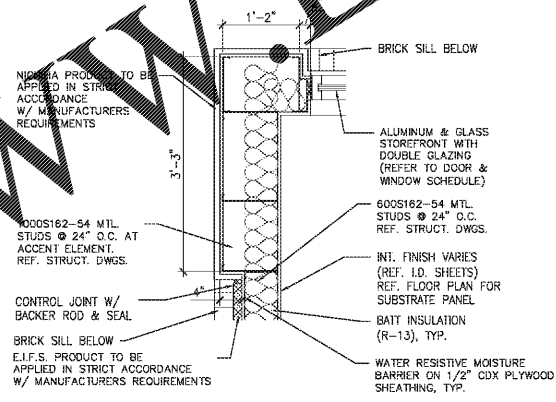
9 BARRIER CURB DETAIL  
SCALE: 1" = 1'-0"



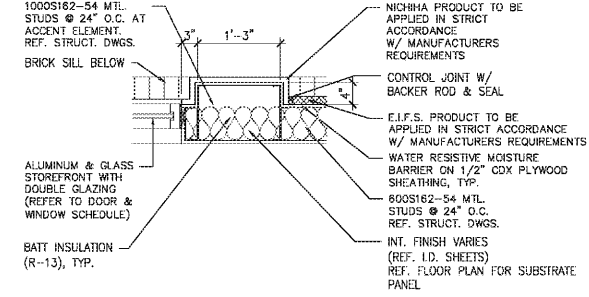
8 TYPICAL INTERIOR PARTITION  
SCALE: 1 1/2" = 1'-0"



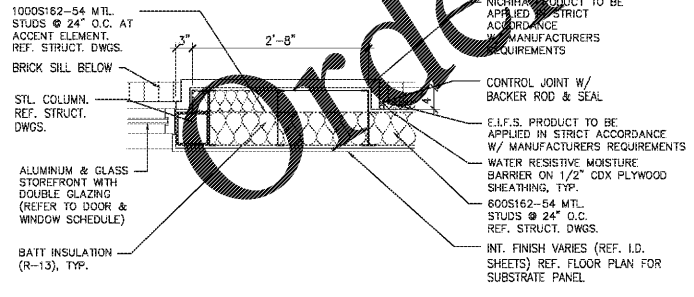
7 PLAN DETAIL  
SCALE: 3/4" = 1'-0"



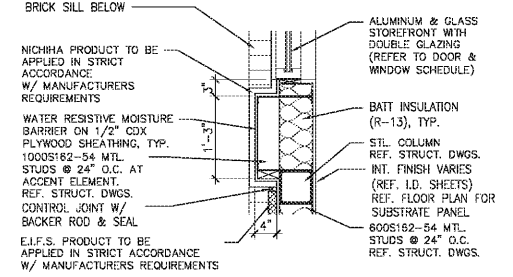
6 PLAN DETAIL  
SCALE: 3/4" = 1'-0"



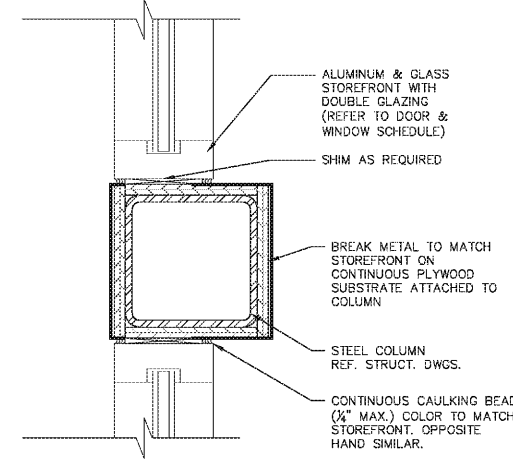
5 PLAN DETAIL  
SCALE: 3/4" = 1'-0"



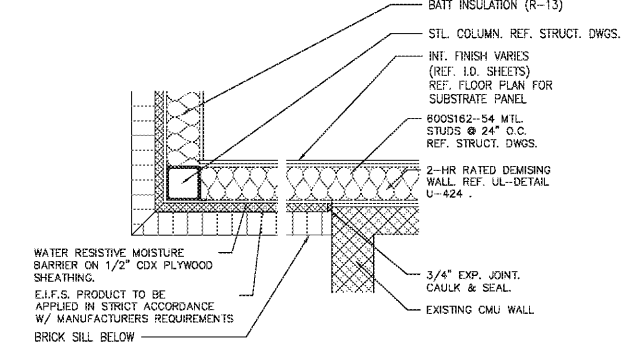
4 PLAN DETAIL  
SCALE: 3/4" = 1'-0"



3 PLAN DETAIL  
SCALE: 3/4" = 1'-0"



2 COLUMN BRAKE METAL ENCLOSURE  
SCALE: 3" = 1'-0"



1 PLAN DETAIL  
SCALE: 3/4" = 1'-0"

ROBERTSON LOIA ROOF  
ARCHITECTS & ENGINEERS  
3460 Preston Ridge Road, Suite 275, Alpharetta, Georgia 30005  
770-674-2600 Fax 678-319-0745



PALMETTO BURGER KING  
3765 ROOSEVELT HWY, PALMETTO, GA.  
FOR JP DESIGN & CONSTRUCTION  
JACKSON, GA.

REVISIONS


PLAN DETAILS

DATE: 10-30-20  
PROJECT NUMBER: 20-197  
SHEET NUMBER: A5.1