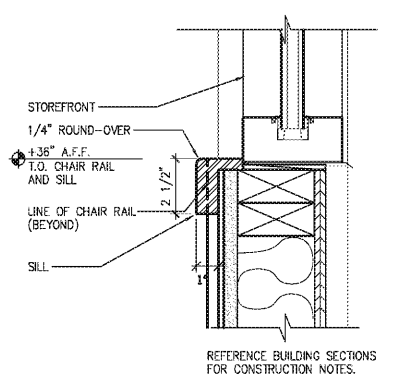
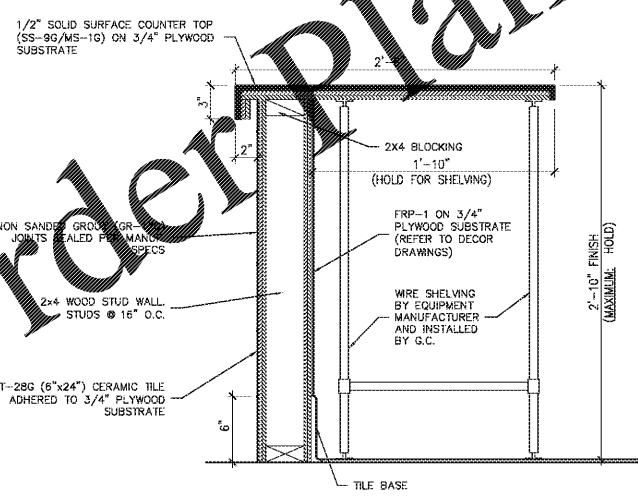


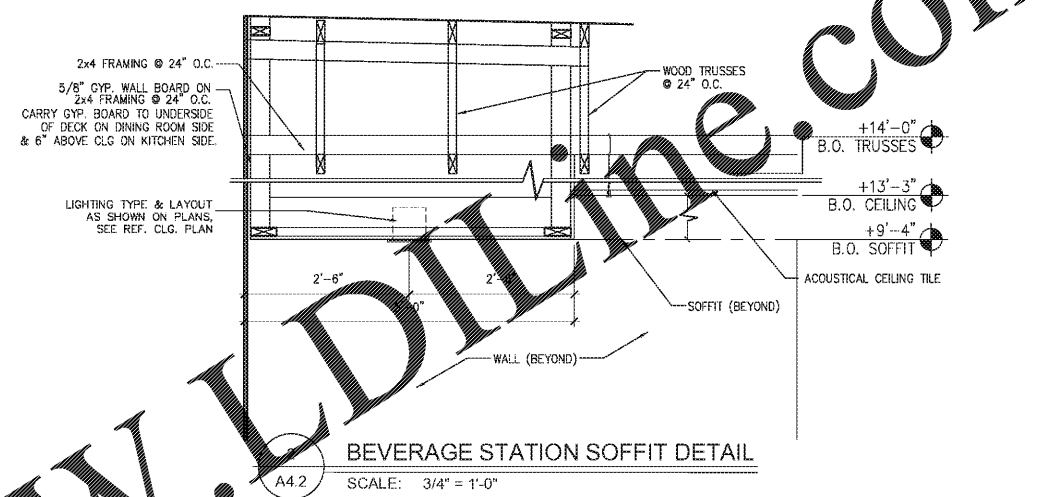
5 LIGHTBOX DETAIL
A4.2 SCALE: 1/2" = 1'-0"



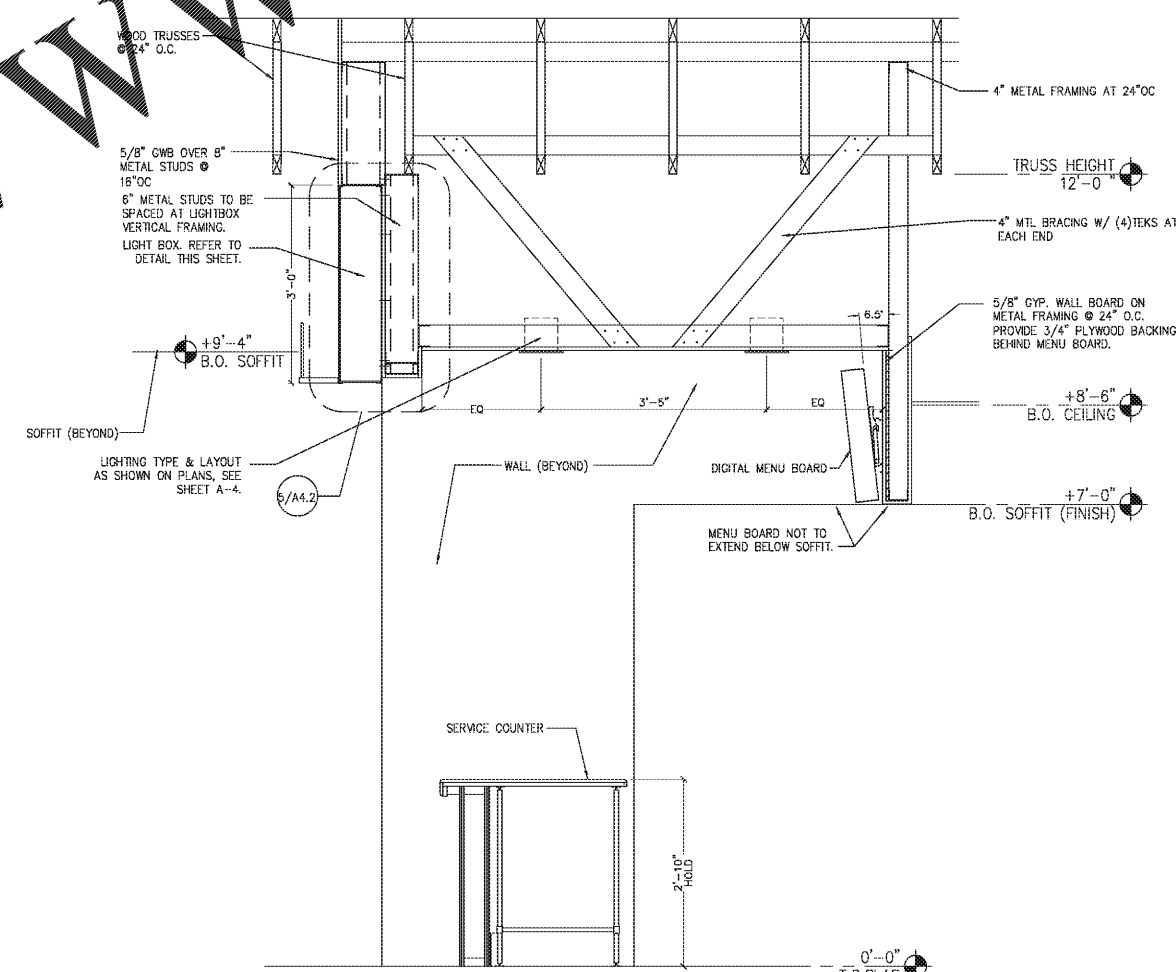
4 SILL & CHAIR RAIL
A4.2 SCALE: 3" = 1'-0"



3 SERVICE COUNTER SECTION
A4.2 SCALE: 1/2" = 1'-0"



BEVERAGE STATION SOFFIT DETAIL
A4.2 SCALE: 3/4" = 1'-0"



1 MENU BOARD HEADER & FRONT SERVICE COUNTER DETAIL
A4.2 SCALE: 1/2" = 1'-0"

Order plans @ WWW.LDLINE.COM

FOR DWG. NUMBER: 06-2024-0017-0001 (SHEET) DATE: 10/30/2020
 PROJECT: 20-197 (SHEET) DATE: 10/30/2020
 DRAWN BY: J. BURGER KING ARCHITECTS & ENGINEERS
 CHECKED BY: J. BURGER KING ARCHITECTS & ENGINEERS
 PROJECT LOCATION: 3765 ROOSEVELT HWY., PALMETTO, GA.

ROBERTSON LOIA ROOF ARCHITECTS & ENGINEERS
 3460 Preston Ridge Road, Suite 275, Alpharetta, Georgia 30005
 770-674-2600 Fax 678-319-0745



PALMETTO BURGER KING
 3765 ROOSEVELT HWY., PALMETTO, GA.
 FOR: JP DESIGN & CONSTRUCTION
 JACKSON, GA.

REVISIONS

INTERIOR DETAILS

DATE	10-30-20
PROJECT NUMBER	20-197
SHEET NUMBER	A4.2