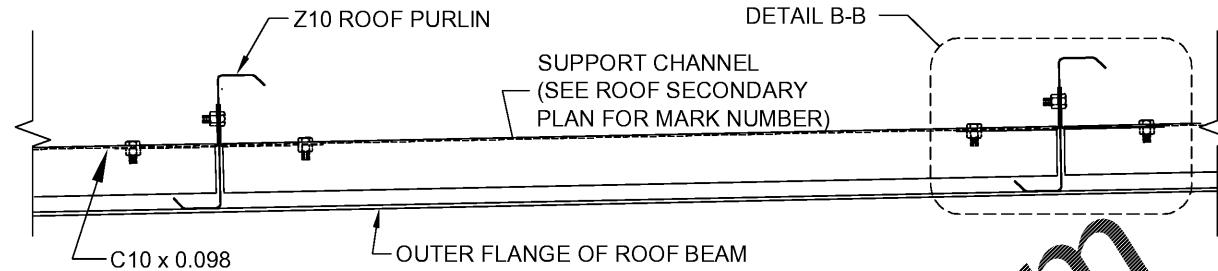
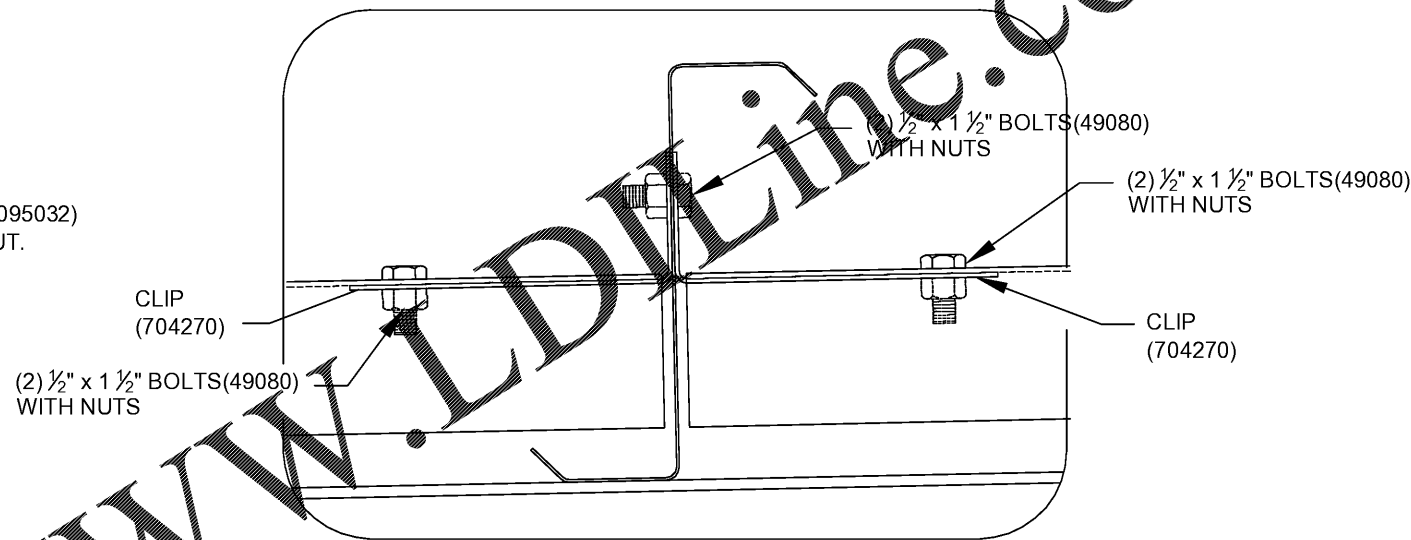


NOTE:
 1. USE 1/2" A307 THIN HEAD BOLT(096636) AND NUT(095032) IN LIEU OF (49080) FOR CONNECTION TO EAVE STRUT.
 2. FIELD DRILL 9/16" HOLES AT EAVE STRUT.

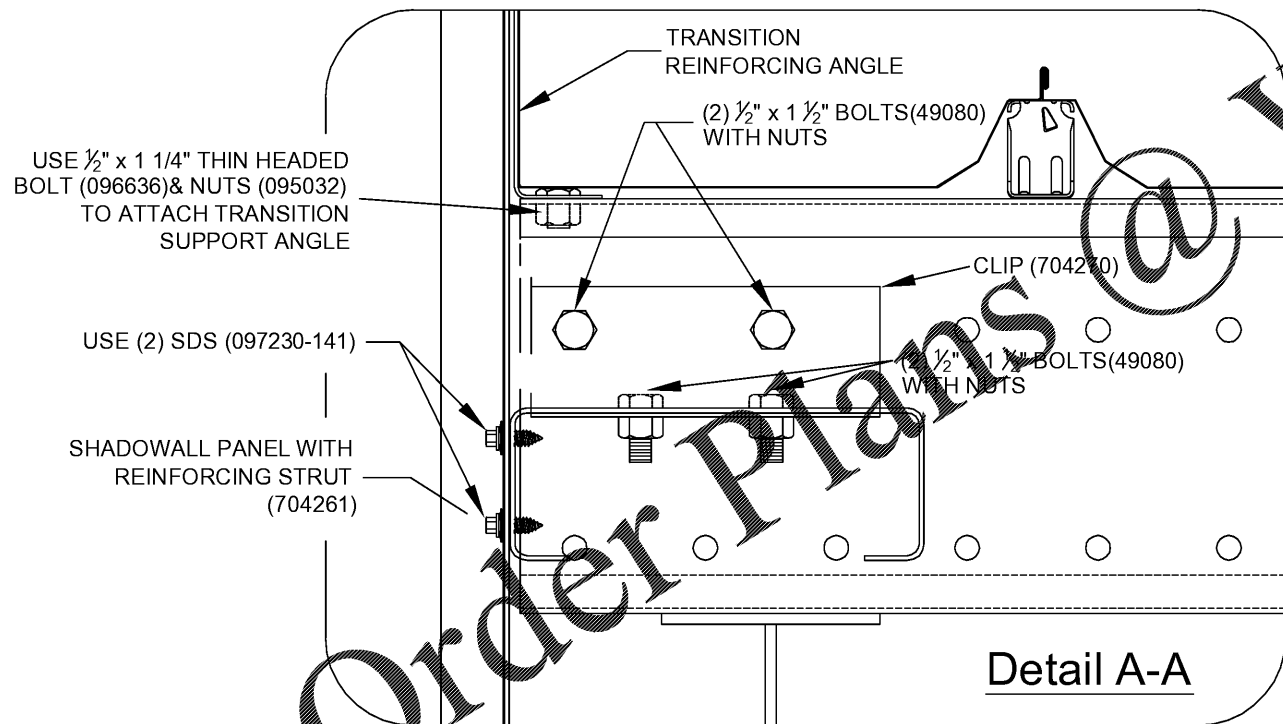
Section A-A



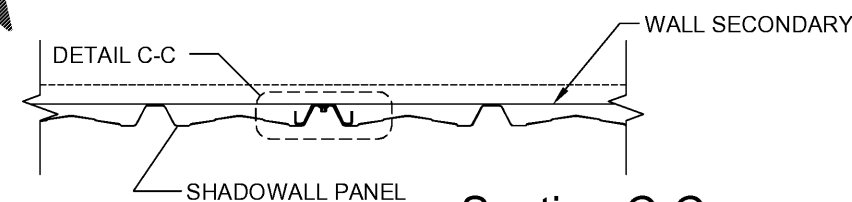
Section B-B



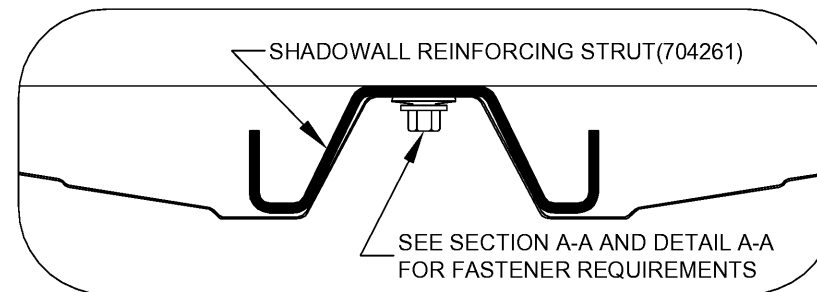
Detail B-B



Detail A-A



Section C-C



Detail C-C



06/09/2020

PERMIT SET- For Building Dept. Approval

1. UNLESS NOTED, USE 1/2 X 1 1/2 A325T BOLT (49080) AND NUT (47120) W/O WASHERS. SNUG TIGHTEN BOLTS FOR ALL SECONDARY CONNECTIONS.
 2. FLANGE BRACES ARE AN INTEGRAL PART OF THE STABILITY OF THE STRUCTURAL SYSTEM AND MUST BE PROPERLY INSTALLED PRIOR TO ERECTION OF WALL AND ROOF SHEETS.
 3. REMOVAL OR ALTERATION OF ANY COMPONENT IS PROHIBITED.

THE BUTLER MFG. ENGINEER'S SEAL APPLIES ONLY TO THE WORK PRODUCT OF BUTLER MFG. AND DESIGN AND PERFORMANCE REQUIREMENTS SPECIFIED BY BUTLER. THE BUTLER MFG. ENGINEER'S SEAL DOES NOT APPLY TO THE PERFORMANCE OR DESIGN OF ANY OTHER PRODUCT OR COMPONENT FURNISHED BY BUTLER EXCEPT TO ANY DESIGN OR PERFORMANCE REQUIREMENTS SPECIFIED BY BUTLER.

THIS DRAWING, INCLUDING THE INFORMATION HEREON, REMAINS THE PROPERTY OF BUTLER MFG. IT IS PROVIDED SOLELY FOR ERECTING THE BUILDING DESCRIBED IN THE APPLICABLE PURCHASE ORDER AND MAY BE REPRODUCED ONLY FOR THAT PURPOSE. IT SHALL NOT BE MODIFIED, REPRODUCED OR USED FOR ANY OTHER PURPOSE WITHOUT PRIOR WRITTEN APPROVAL OF BUTLER MFG.

THE GENERAL CONTRACTOR AND/OR ERECTOR IS SOLELY RESPONSIBLE FOR ACCURATE GOOD QUALITY WORKMANSHIP IN ERECTING THIS BUILDING IN ACCORDANCE WITH THIS DRAWING, DETAILS REFERENCED IN THIS DRAWING, ALL APPLICABLE BUTLER MFG. ERECTION GUIDES, AND INDUSTRY STANDARDS PERTAINING TO PROPER ERECTION, INCLUDING THE CORRECT USE OF TEMPORARY BRACING.

B	BUTLER MANUFACTURING 1540 GENESSEE ST. KANSAS CITY, MO 64102				WALL SECONDARY SED'S			
	REV:	DATE:	BY:	DESCRIPTION:	BUILDER:	O'Reilly Automotive Stores, Inc.		
					CUSTOMER:	O'Reilly Automotive Stores, Inc.		
					LOCATION:	Varnell, Georgia		
					PROJECT:	Varnell, GA (VNL)		
					BUILDER'S PO#:	VNL		
DRAWING SCALE: NTS					JOB #:		20-010360-01	
					DATE:		06/05/2020	
					DRAWN/CHECK:		JJ LI / SW	
					PAGE:		24	