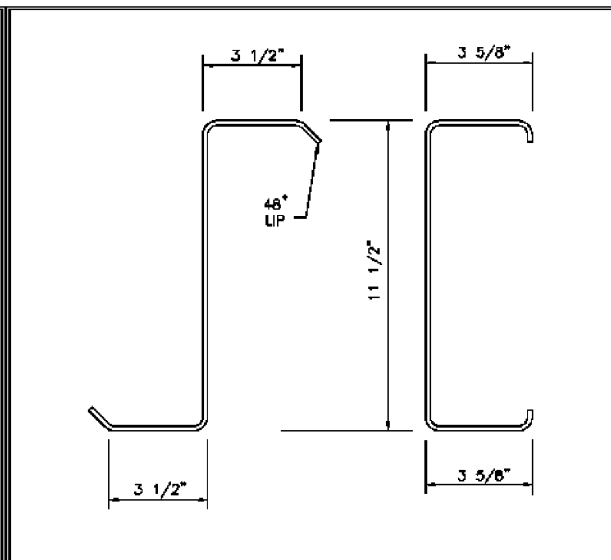
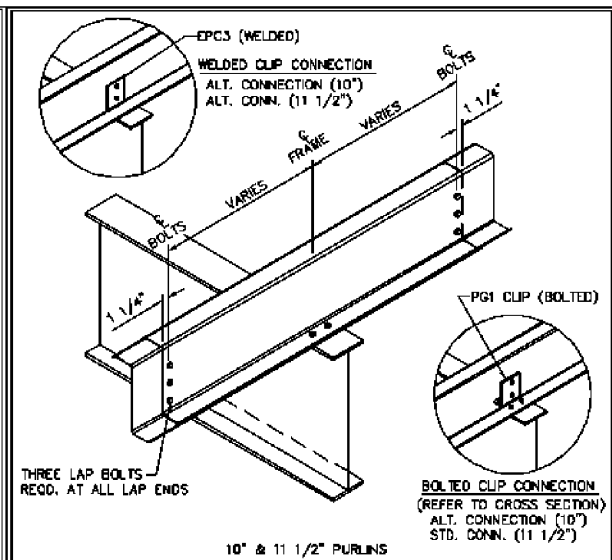


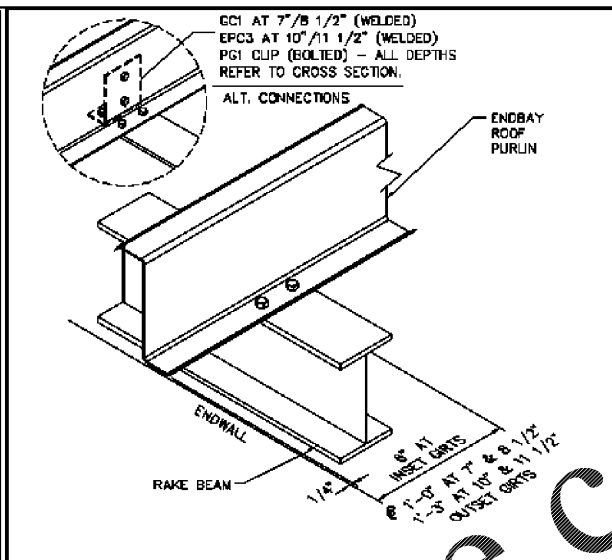
REV. DATE: 07/04/08 REV. NO. 02
EN53G1 PURLIN AND GIRTS SIZES
10" 254mm



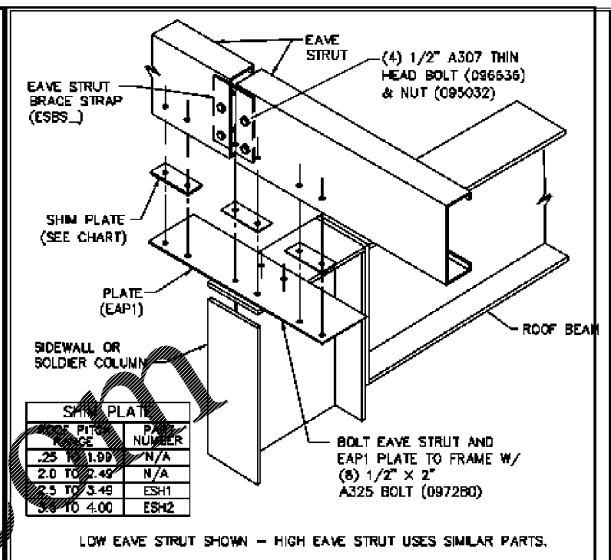
REV. DATE: 07/01/08 REV. NO. 03
EN53H1 PURLIN / GIRTS
11 1/2" 292mm



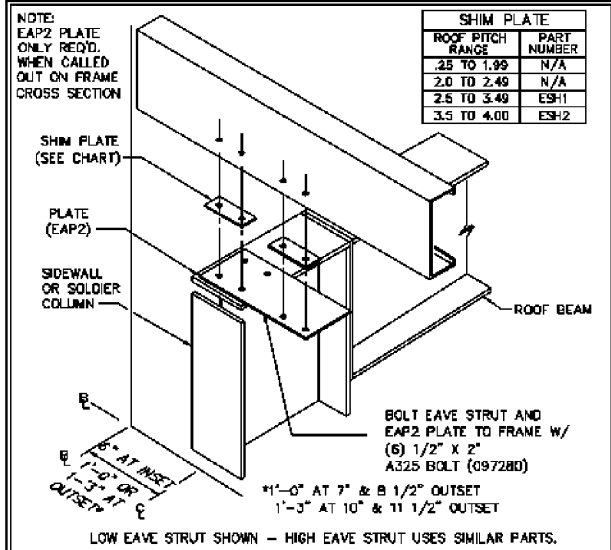
REV. DATE: 06/27/08 REV. NO. 01
RS01U1 PURLINS AT INTERIOR FRAME
CONTINUOUS PURLINS



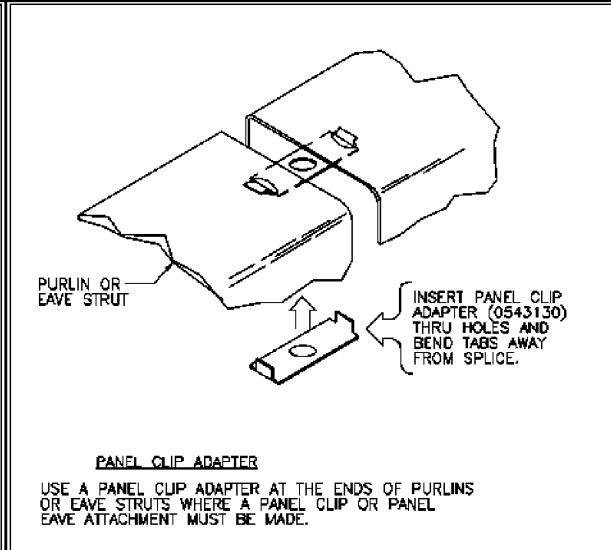
REV. DATE: 07/06/08 REV. NO. 01
RS02T1 PURLIN CONNECTION TO END FRAME
CONTINUOUS PURLINS



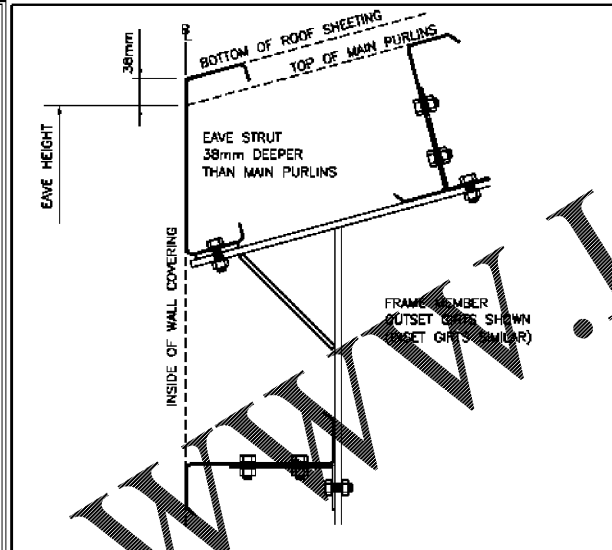
REV. DATE: 07/06/08 REV. NO. 02
RS12PE EAVE STRUT W/ ATTACHMENT PLATE
INTERIOR FRAME



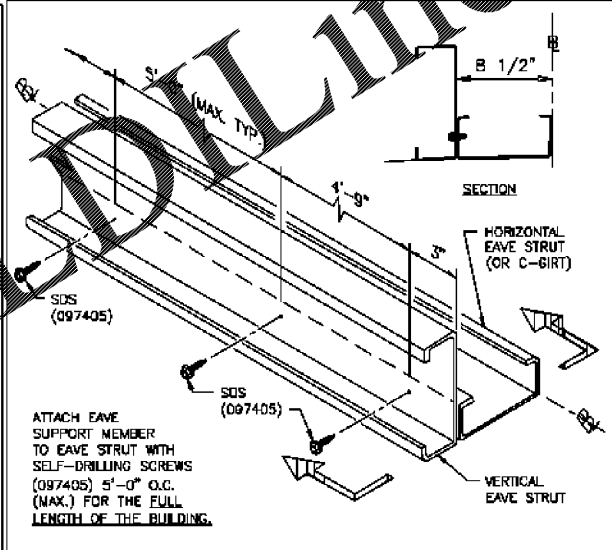
REV. DATE: 02/25/09 REV. NO. 02
RS12PF EAVE STRUT W/ ATTACHMENT PLATE
END FRAME



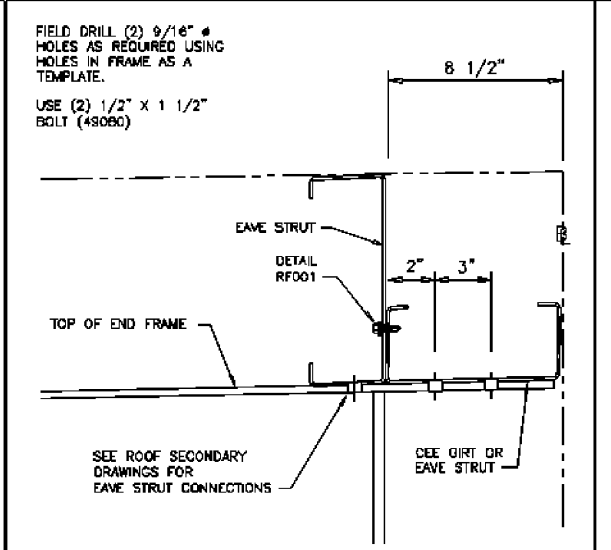
REV. DATE: 10/25/09 REV. NO. 01
RS12PJ PANEL CLIP AT EAVE STRUT
LOCATED WHERE STRUT STOPS BUT CONNECTION REQUIRED



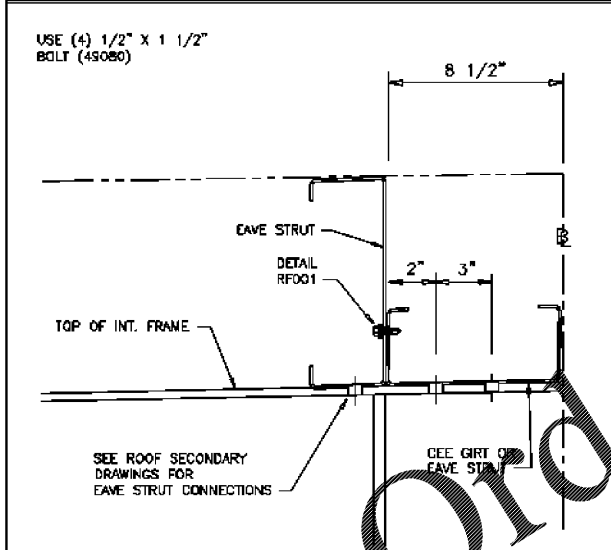
REV. DATE: 07/01/08 REV. NO. 01
EN60B1 EAVE HEIGHT WITH INSULATED ROOF PANEL
PURLIN / GIRTS



REV. DATE: 01/21/10 REV. NO. 01
RF001 EAVE STRUT TO SUPPORT MEMBER
SELF DRILL SCREW CONNECTION



REV. DATE: 01/21/10 REV. NO. 01
RF004 CEE SUPPORT AT END FRAME
HIGH EAVE CEE MEMBER



REV. DATE: 01/21/10 REV. NO. 01
RF007 CEE SUPPORT AT INTERMEDIATE FRAME
HIGH EAVE CEE MEMBER

1. UNLESS NOTED, USE 1/2 X 1 1/2 A325 BOLT (49080) AND NUT (47120) W/O WASHERS. SNUG TIGHTEN BOLTS FOR ALL SECONDARY CONNECTIONS.
2. FLANGE BRACES ARE AN INTEGRAL PART OF THE STABILITY OF THE STRUCTURAL SYSTEM AND MUST BE PROPERLY INSTALLED PRIOR TO ERECTION OF WALL AND ROOF SHEETS.
3. REMOVAL OR ALTERATION OF ANY COMPONENT IS PROHIBITED.

THE BUTLER MFG. ENGINEER'S SEAL APPLIES ONLY TO THE WORK PRODUCT OF BUTLER MFG. AND DESIGN AND PERFORMANCE REQUIREMENTS SPECIFIED BY BUTLER. THE BUTLER MFG. ENGINEER'S SEAL DOES NOT APPLY TO THE PERFORMANCE OR DESIGN OF ANY OTHER PRODUCT OR COMPONENT FURNISHED BY BUTLER EXCEPT TO ANY DESIGN OR PERFORMANCE REQUIREMENTS SPECIFIED BY BUTLER.

THIS DRAWING, INCLUDING THE INFORMATION HEREON, REMAINS THE PROPERTY OF BUTLER MFG. IT IS PROVIDED SOLELY FOR ERECTING THE BUILDING DESCRIBED IN THE APPLICABLE PURCHASE ORDER AND MAY BE REPRODUCED ONLY FOR THAT PURPOSE. IT SHALL NOT BE MODIFIED, REPRODUCED OR USED FOR ANY OTHER PURPOSE WITHOUT PRIOR WRITTEN APPROVAL OF BUTLER MFG.
THE GENERAL CONTRACTOR AND/OR ERECTOR IS SOLELY RESPONSIBLE FOR ACCURATE GOOD QUALITY WORKMANSHIP IN ERECTING THIS BUILDING IN ACCORDANCE WITH THIS DRAWING, DETAILS REFERENCED IN THIS DRAWING, ALL APPLICABLE BUTLER MFG. ERECTION GUIDES, AND INDUSTRY STANDARDS PERTAINING TO PROPER ERECTION, INCLUDING THE CORRECT USE OF TEMPORARY BRACING.

B BUTLER MANUFACTURING 1540 GENESSEE ST. KANSAS CITY, MO 64102			
REV	DATE	BY	DESCRIPTION
DRAWING SCALE: NTS			

ROOF SECONDARY SED'S		JOB # 20-010380-01	
BUILDER	O'Reilly Automotive Stores, Inc.	DATE	06/05/2020
CUSTOMER	O'Reilly Automotive Stores, Inc.	DRAWN/CHECKED	JJL / SW
LOCATION	Varnell, Georgia	PAGE	14
PROJECT	Varnell, GA (VNL)	BUTLER Butler Manufacturing VPC VERSION: 2020.2	
BUILDERS POW	VNL	a division of BlueScope Buildings North America, Inc.	



06/09/2020

PERMIT SET- For Building Dept. Approval