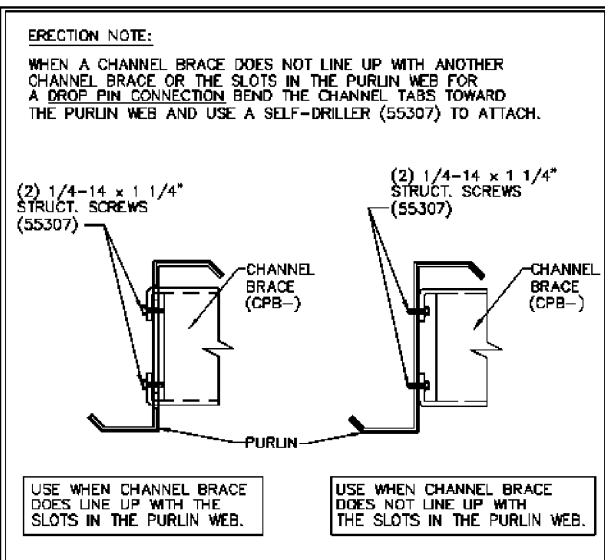
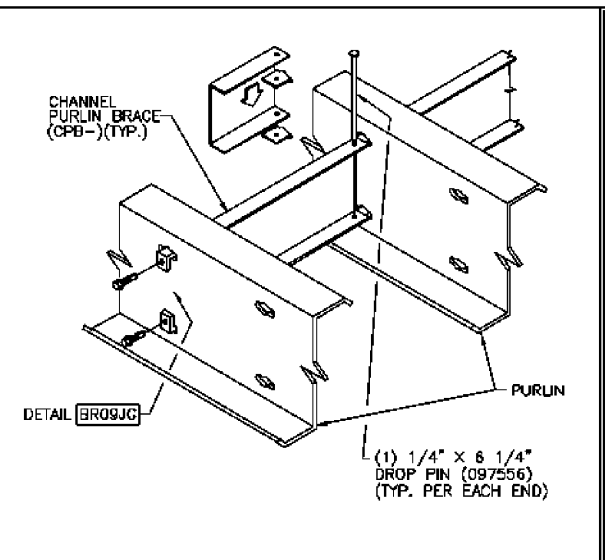


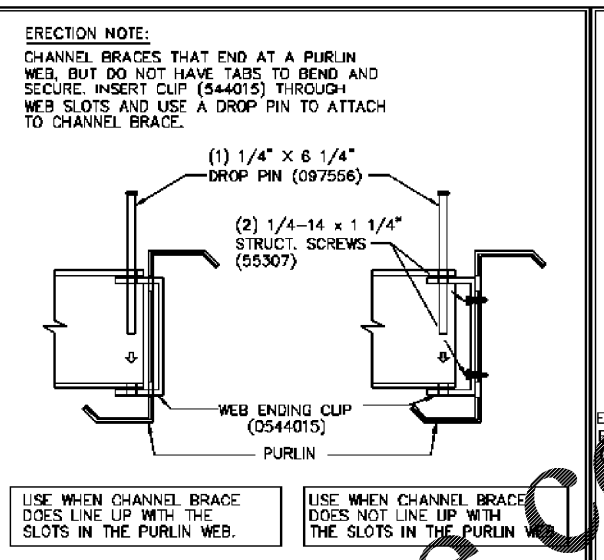
REV. DATE: 07/24/17 REV. NO. 01  
**BR06K3** ROOF/WALL FLANGE BRACING  
 PURLIN/GRT WITH INSULATION VAPOR RETARDER



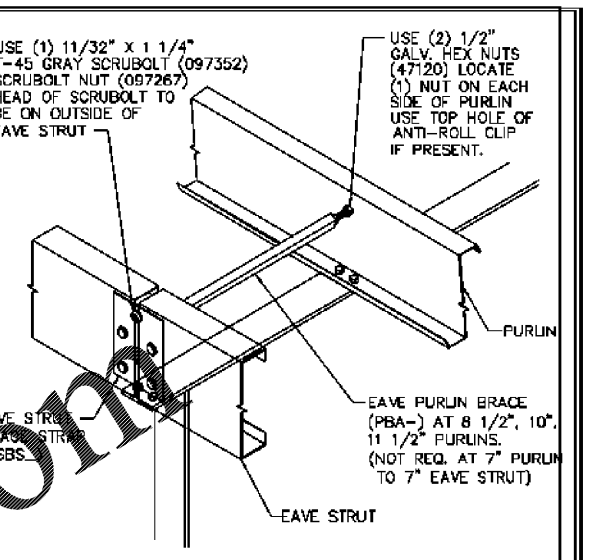
REV. DATE: 04/01/11 REV. NO. 01  
**BR09JG** CHANNEL BRACE ENDING AT PURLIN WEB  
 SELF-DRILLER WITH BENT TABS



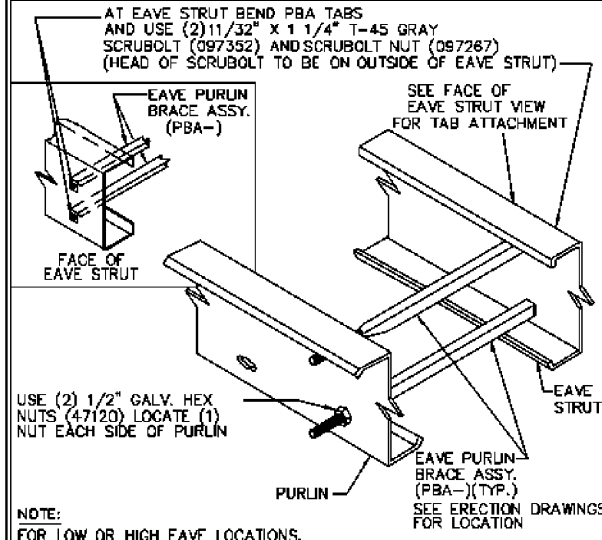
REV. DATE: 07/20/09 REV. NO. 00  
**BR09JH** SINGLE CHANNEL PURLIN BRACE  
 ENDING AT PURLIN WEB LOCATION



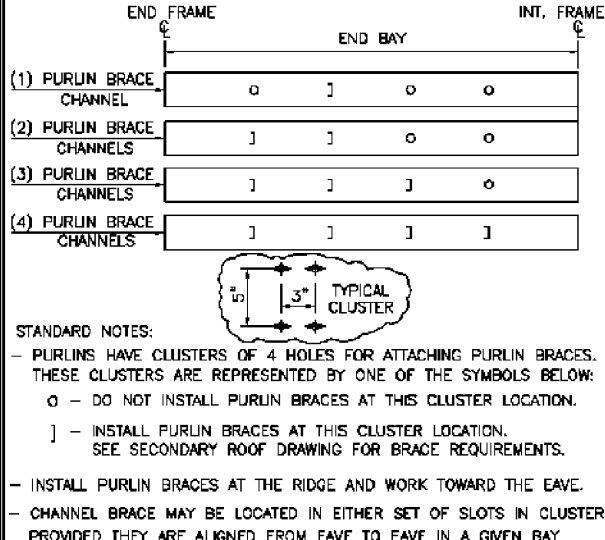
REV. DATE: 04/26/11 REV. NO. 01  
**BR09JR** CHANNEL BRACE ENDING AT PURLIN WEB  
 WEB ENDING CLIP WITH DROP PIN



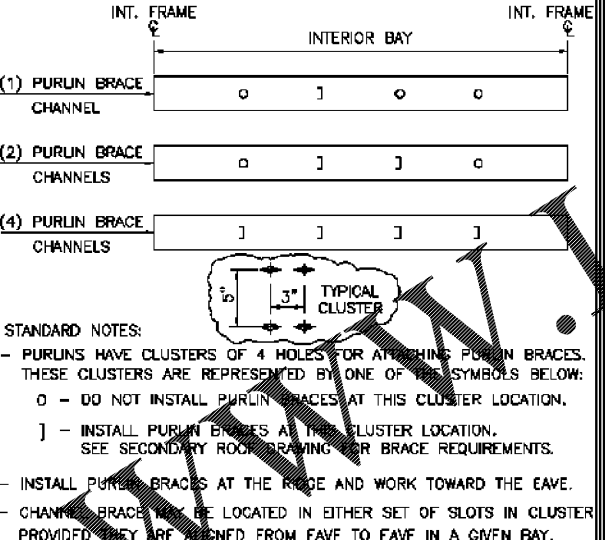
REV. DATE: 07/01/16 REV. NO. 00  
**BR09K2** EAVE BRACE STRAP AND EAVE PURLIN BRACE  
 LOCATED AT EAVE - CENTERLINE OF FRAME



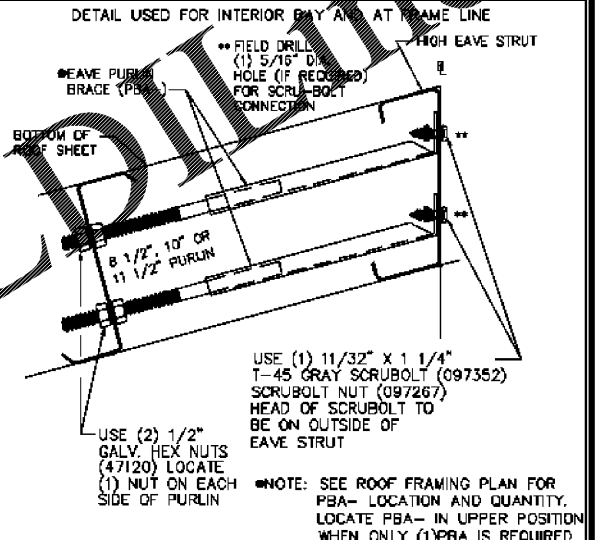
REV. DATE: 07/25/12 REV. NO. 04  
**BR09K5** EAVE STRUT BRACE



REV. DATE: 07/25/12 REV. NO. 00  
**BR09RY** PURLIN BRACE CLUSTER LOCATION  
 END BAY CHANNEL LOCATION



REV. DATE: 07/25/12 REV. NO. 00  
**BR09RZ** PURLIN BRACE CLUSTER LOCATION  
 INTERIOR BAY CHANNEL LOCATION

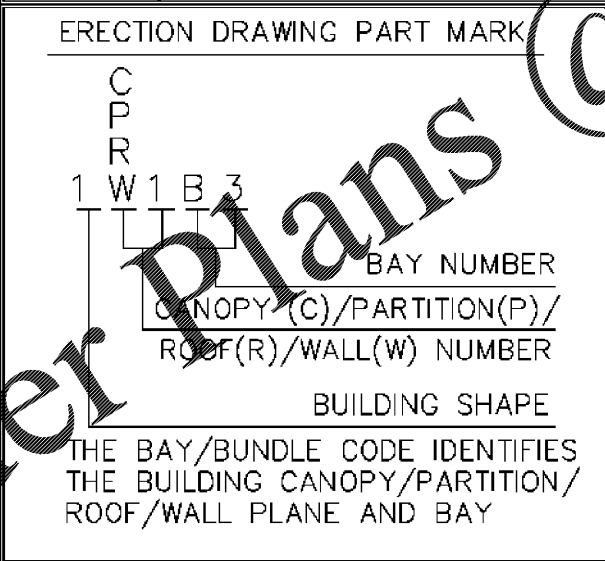


REV. DATE: 11/29/12 REV. NO. 01  
**BR09W2** HIGH EAVE PURLIN BRACE  
 ALL WALL PANEL TYPE

DEPTH	SHAPE	GAGE
07 = 7"	Z = ZEE	11 = 0.113
08 = 8 1/2"	C = CEE	12 = 0.098
10 = 10"	E = LOW EAVE STRUT	13 = 0.088
	H = HIGH EAVE STRUT	14 = 0.079
		15 = 0.073
		16 = 0.068
		17 = 0.060

DEPTH	SHAPE	GAGE
07 = 7"	ZS = ZEE	11 = 0.113
08 = 8 1/2"	CS = CEE	12 = 0.098
10 = 10"	ES = LOW EAVE STRUT	13 = 0.088
11 = 11 1/2"	HS = HIGH EAVE STRUT	14 = 0.079
	BB = BACK TO BACK CEE	15 = 0.073
	FB = FACE TO BACK CEE	16 = 0.068
	FF = FACE TO FACE CEE	17 = 0.060

REV. DATE: 07/26/16 REV. NO. 00  
**EN51B2** SPECIAL SECONDARY PART MARK KEY  
 COMMON GENERATED MARK NUMBERS



REV. DATE: 01/31/13 REV. NO. 01  
**EN51B3** SECONDARY BUNDLE LOCATION KEY  
 ALL SECONDARY DEPTHS

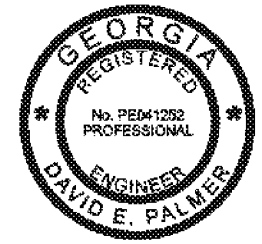
1. UNLESS NOTED, USE 1/2 X 1 1/2 A325T BOLT (49090) AND NUT (47120) W/O WASHERS. SNUG TIGHTEN BOLTS FOR ALL SECONDARY CONNECTIONS.  
 2. FLANGE BRACES ARE AN INTEGRAL PART OF THE STABILITY OF THE STRUCTURAL SYSTEM AND MUST BE PROPERLY INSTALLED PRIOR TO ERECTION OF WALL AND ROOF SHEETS.  
 3. REMOVAL OR ALTERATION OF ANY COMPONENT IS PROHIBITED.

THE BUTLER MFG. ENGINEER'S SEAL APPLIES ONLY TO THE WORK PRODUCT OF BUTLER MFG. AND DESIGN AND PERFORMANCE REQUIREMENTS SPECIFIED BY BUTLER. THE BUTLER MFG. ENGINEER'S SEAL DOES NOT APPLY TO THE PERFORMANCE OR DESIGN OF ANY OTHER PRODUCT OR COMPONENT FURNISHED BY BUTLER EXCEPT TO ANY DESIGN OR PERFORMANCE REQUIREMENTS SPECIFIED BY BUTLER.

THIS DRAWING, INCLUDING THE INFORMATION HEREON, REMAINS THE PROPERTY OF BUTLER MFG. IT IS PROVIDED SOLELY FOR ERECTING THE BUILDING DESCRIBED IN THE APPLICABLE PURCHASE ORDER AND MAY BE REPRODUCED ONLY FOR THAT PURPOSE. IT SHALL NOT BE MODIFIED, REPRODUCED OR USED FOR ANY OTHER PURPOSE WITHOUT PRIOR WRITTEN APPROVAL OF BUTLER MFG.  
 THE GENERAL CONTRACTOR AND/OR ERECTOR IS SOLELY RESPONSIBLE FOR ACCURATE GOOD QUALITY WORKMANSHIP IN ERECTING THIS BUILDING IN ACCORDANCE WITH THIS DRAWING. DETAILS REFERENCED IN THIS DRAWING, ALL APPLICABLE BUTLER MFG. ERECTION GUIDES, AND INDUSTRY STANDARDS PERTAINING TO PROPER ERECTION, INCLUDING THE CORRECT USE OF TEMPORARY BRACING.

REV	DATE	BY	DESCRIPTION

<b>BUTLER MANUFACTURING</b> 1540 GENESSEE ST. KANSAS CITY, MO 64102		<b>ROOF SECONDARY SED'S</b>	
BUILDER	O'Reilly Automotive Stores, Inc.		JOB #
CUSTOMER	O'Reilly Automotive Stores, Inc.		20-010380-01
LOCATION	Varnell, Georgia		DATE
PROJECT	Varnell, GA (VNL)		06/05/2020
DRAWING CHECK	JLI / SW	BUILDERS POW	VNL
DRAWING SCALE	NTS	VPC VERSION	2020.2
		PAGE	13



06/09/2020

PERMIT SET- For Building Dept. Approval