

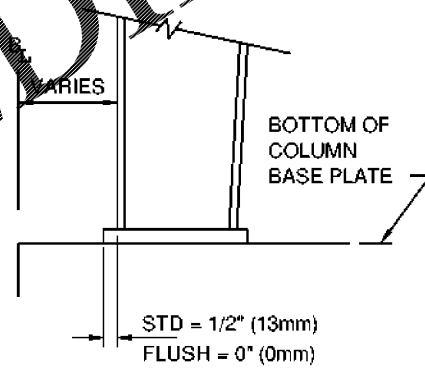
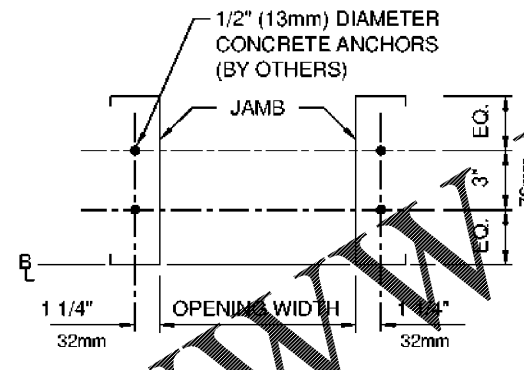
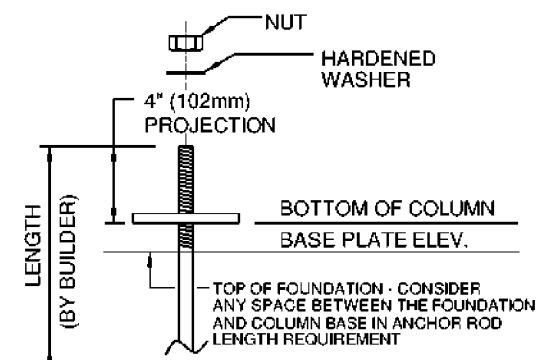
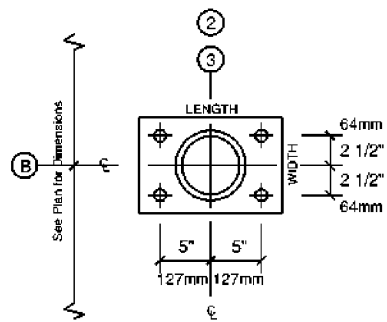
D1 (4)1" Dia. GR36 A.Rods
Plate W=8" L=1'-1"
Elev.=100'-0"

D2 (4)1" Dia. GR36 A.Rods
Plate W=9" L=1'-1"
Elev.=100'-0"

D3 (4)3/4" Dia. GR36 A.Rods
Plate W=8" L=11"
Elev.=100'-0"

D4 (4)1" Dia. GR36 A.Rods
Plate W=1'-1" L=1'-1" (Maximum plate size)
Elev.=100'-0"

D5 (4)1" Dia. GR36 A.Rods
Plate W=1'-1" L=1'-1" (Maximum plate size)
Elev.=100'-0"



- ANCHOR RODS, NUTS, HARDENED WASHERS AND ANY OTHER EMBEDDED ITEMS ARE TO BE FURNISHED BY CONTRACTOR.
- ANCHOR ROD DIAMETERS WERE DETERMINED BY ALLOWABLE SHEAR AND TENSION PER AISC SPECIFICATIONS (FY=36KSI) (ASTM F1554 GRADE 36) ANCHOR ROD LENGTH, EFFECTS OF EMBEDDED ANCHOR ROD EDGE DIMENSIONS AND METHOD OF TRANSFERRING FORCES FROM ANCHOR RODS TO FOOTINGS ARE TO BE DETERMINED BY OTHERS
- UNLESS OTHERWISE SPECIFIED, ANCHOR RODS ARE DESIGNED AND DETAILED AS "CAST-IN-PLACE" ANCHOR RODS WITH "SNUG TIGHT" CONNECTIONS
- FOUNDATION MUST BE LEVEL, SQUARE AND SMOOTH. ANCHOR RODS MUST BE ACCURATELY PLACED AS SHOWN ON THIS DRAWING OR STEEL WILL NOT FIT. THE BUILDER IS RESPONSIBLE FOR ACCURATE SETTING OF ANCHOR RODS PER AISC CODE OF STANDARD PRACTICE, SEC 7.5 VARIATIONS ARE SUMMARIZED BELOW:
 - CENTERS OF ANY TWO AR'S WITHIN A COLUMN BASE GROUP; +1/8"
 - CENTERS OF ADJACENT AR GROUPS; +1/4"
 - TOPS OF AR'S; +1/2"
 - ACCUMULATED DIM BETWEEN CENTERS OF AR GROUPS ALONG COLUMN LINE; +1/4" PER 100FT., NOT TO EXCEED 1" TOTAL
 - DIM FROM CENTER OF ANY AR GROUP FROM COLUMN LINE; +1/4"
- DESIGN LOADS AND REACTIONS ARE FURNISHED IN THE REACTIONS REPORT.

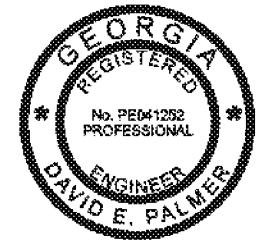
D6 (4)1" Dia. GR36 A.Rods
Plate W=8" L=1'-1"
Elev.=100'-0"

THE 4" PROJECTION ABOVE THE BOTTOM OF THE BASE PLATE IS A SUGGESTED MINIMUM TO ENSURE ADEQUATE ANCHOR ROD LENGTH. A DIFFERENT PROJECTION MAY BE REQUIRED BY THE FOUNDATION DESIGNER.
THE ANCHOR ROD PROJECTION MAY NEED TO BE CUT OFF IF THERE IS INTERFERENCE WITH OTHER PARTS.

NOTE: 1" (25mm) PROJECTION ABOVE BOTTOM OF JAMB CLIP
JAMB 'EQ.' VALUES:
7" EQ = 2" 50mm, 8 1/2" EQ = 2 3/4" 70mm
10" EQ = 3 1/2" 89mm, 11 1/2" EQ = 4 1/4" 108mm

TYPICAL COLUMN BASE PLATE DETAIL

Order Plans @ WWW.LDLINE.COM



06/09/2020

PERMIT SET- For Building Dept. Approval

<p>THE BUTLER MFG. ENGINEER'S SEAL APPLIES ONLY TO THE WORK PRODUCT OF BUTLER MFG. AND DESIGN AND PERFORMANCE REQUIREMENTS SPECIFIED BY BUTLER. THE BUTLER MFG. ENGINEER'S SEAL DOES NOT APPLY TO THE PERFORMANCE OR DESIGN OF ANY OTHER PRODUCT OR COMPONENT FURNISHED BY BUTLER EXCEPT TO ANY DESIGN OR PERFORMANCE REQUIREMENTS SPECIFIED BY BUTLER.</p>	<p>THIS DRAWING, INCLUDING THE INFORMATION HEREON, REMAINS THE PROPERTY OF BUTLER MFG. IT IS PROVIDED SOLELY FOR ERECTING THE BUILDING DESCRIBED IN THE APPLICABLE PURCHASE ORDER AND SHALL NOT BE MODIFIED, REPRODUCED OR USED FOR ANY OTHER PURPOSE WITHOUT PRIOR WRITTEN APPROVAL OF BUTLER MFG.</p> <p>THE GENERAL CONTRACTOR AND/OR ERECTOR IS SOLELY RESPONSIBLE FOR ACCURATE GOOD QUALITY WORKMANSHIP IN ERECTING THIS BUILDING IN ACCORDANCE WITH THIS DRAWING, DETAILS REFERENCED IN THIS DRAWING, ALL APPLICABLE BUTLER MFG. ERECTION GUIDES, AND INDUSTRY STANDARDS PERTAINING TO PROPER ERECTION, INCLUDING THE CORRECT USE OF TEMPORARY BRACING</p>	<p>BUTLER MANUFACTURING 1540 GENESSEE ST. KANSAS CITY, MO 64102</p>		<p>ANCHOR ROD PLAN - DETAILS</p>																	
		<table border="1"> <thead> <tr> <th>REV</th> <th>DATE</th> <th>BY</th> <th>DESCRIPTION</th> </tr> </thead> <tbody> <tr> <td> </td> <td> </td> <td> </td> <td> </td> </tr> </tbody> </table>	REV	DATE	BY	DESCRIPTION					<table border="1"> <tr> <td>BUILDER</td> <td>O'Reilly Automotive Stores, Inc.</td> </tr> <tr> <td>CUSTOMER</td> <td>O'Reilly Automotive Stores, Inc.</td> </tr> <tr> <td>LOCATION</td> <td>Varnell, Georgia</td> </tr> <tr> <td>PROJECT</td> <td>Varnell, GA (VNL)</td> </tr> <tr> <td>BUILDER'S P.O.</td> <td>VNL</td> </tr> </table>	BUILDER	O'Reilly Automotive Stores, Inc.	CUSTOMER	O'Reilly Automotive Stores, Inc.	LOCATION	Varnell, Georgia	PROJECT	Varnell, GA (VNL)	BUILDER'S P.O.	VNL
REV	DATE	BY	DESCRIPTION																		
BUILDER	O'Reilly Automotive Stores, Inc.																				
CUSTOMER	O'Reilly Automotive Stores, Inc.																				
LOCATION	Varnell, Georgia																				
PROJECT	Varnell, GA (VNL)																				
BUILDER'S P.O.	VNL																				