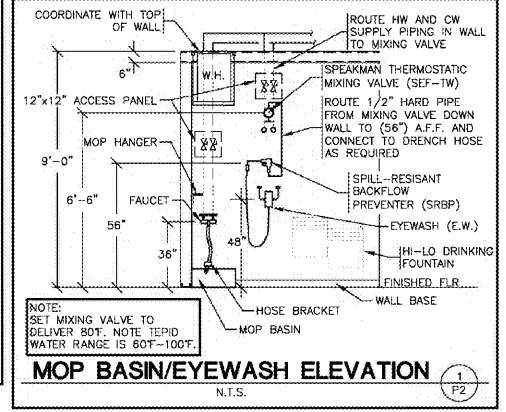
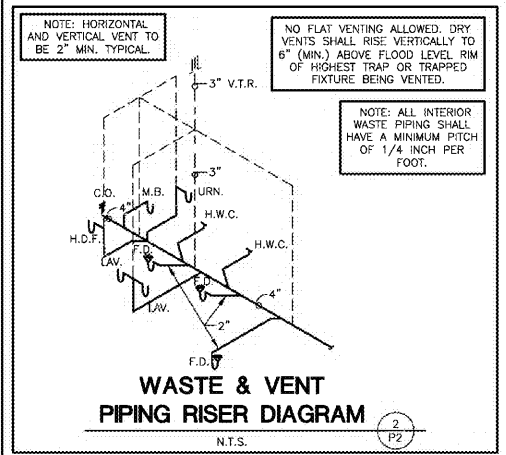
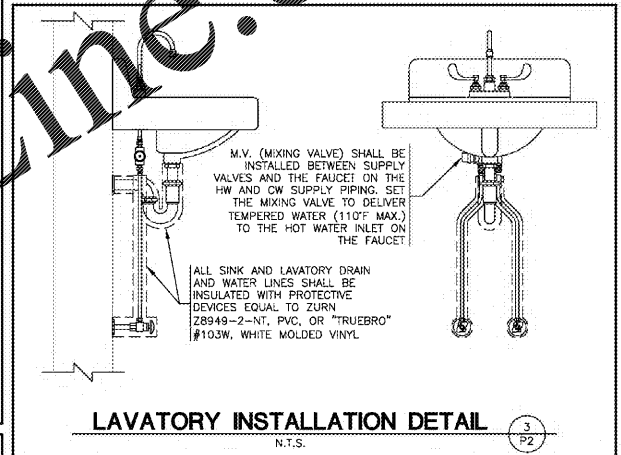
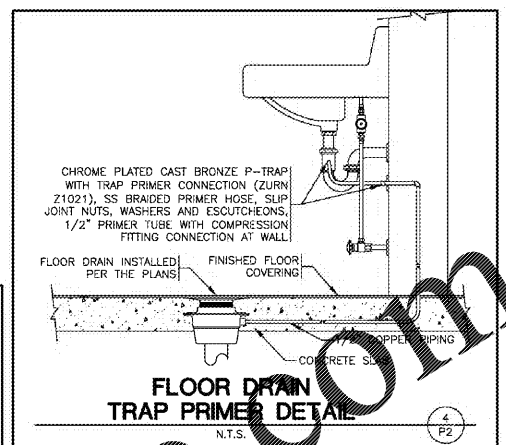
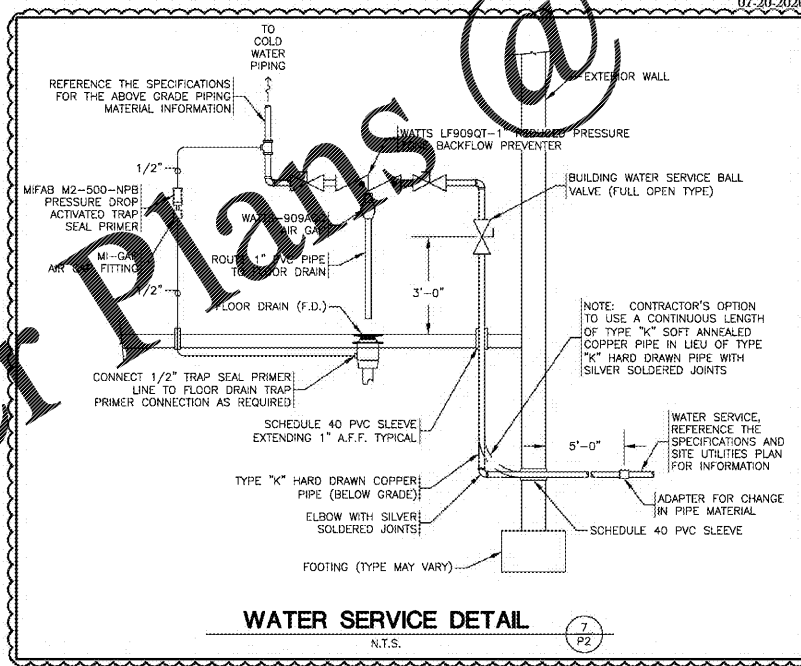
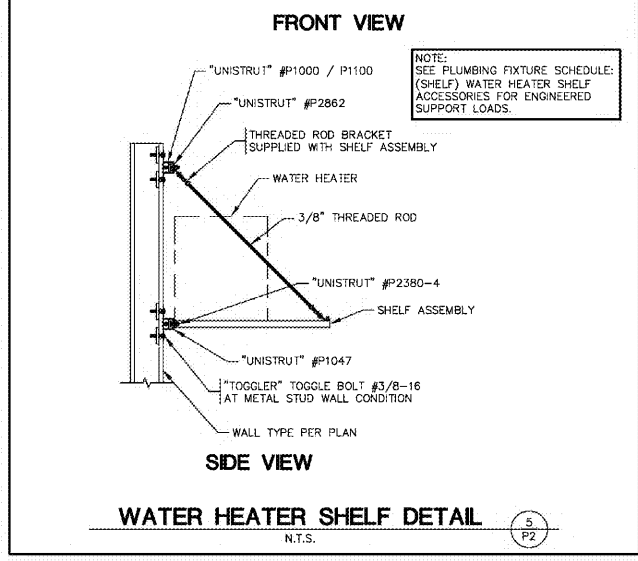
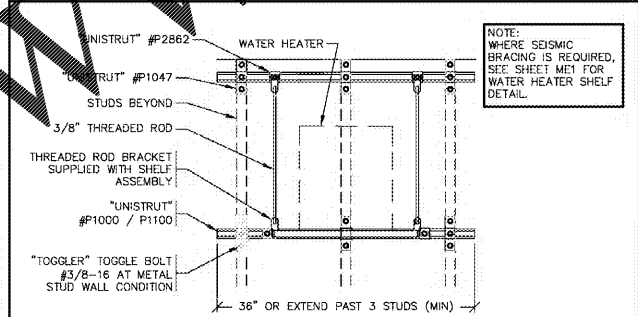
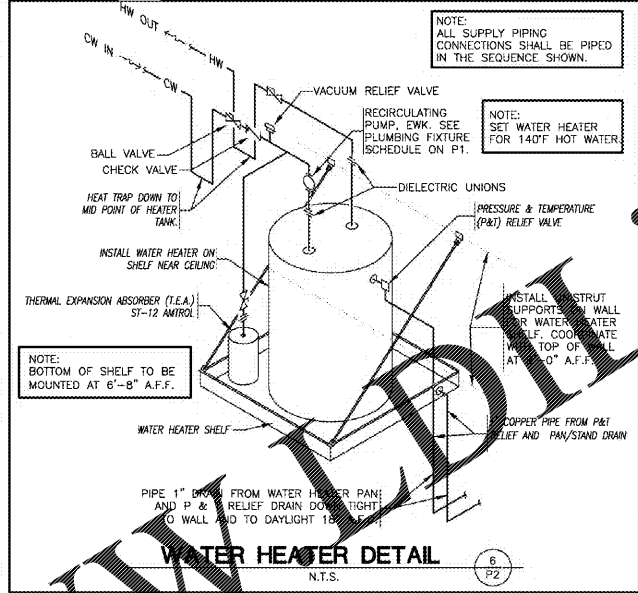
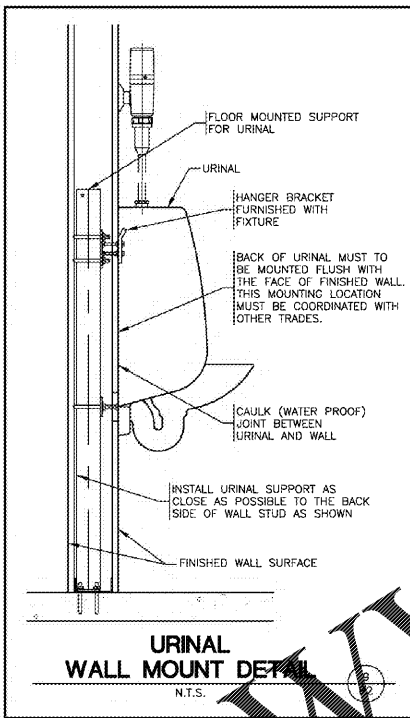
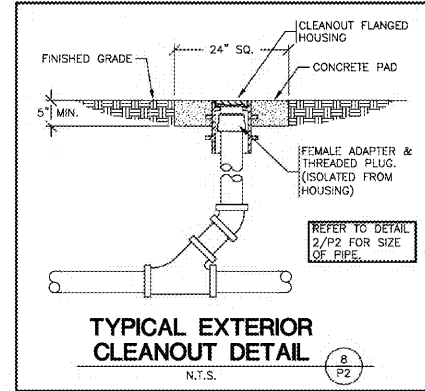


**PLUMBING CALCULATIONS**

FIXTURE	QUANTITY	TOTAL-SFU	TOTAL	TOTAL-HW	TOTAL	DFU	TOTAL
W.C. (TANK)	2	5	10	0	0	4	8
URN. (URINAL)	1	5	5	0	0	4	4
LAV. (LAVATORY)	2	2	4	1.5	3.00	2	4
M.B. (MOP BASIN)	1	3	3	1.5	1.50	2	2
H.D.F. (FOUNTAIN)	1	0.25	0.25	0	0	0.5	0.50
H.B. (HOSE BIBB)	2	3	6	0	0	0	0
<b>TOTAL</b>		<b>28.25</b>	<b>TOTAL</b>	<b>4.50</b>	<b>TOTAL</b>		<b>18.50</b>
TOTAL CW GPM	20	AVERAGE DAILY FLOW = 125 gal/DAY					
COLD WATER SERVICE SIZE	1"						



GEORGIA REGISTERED PROFESSIONAL ENGINEER  
 ABBY L. THURMAN  
 07/20/2020  
 DRAWN BY: CEV

Order Plans @

**CRAIG A. SCHNEIDER, AIA**  
 ARCHITECT  
 1736 East Sunshine, Suite 417  
 Springfield, Missouri 65804  
 e-mail: architect@estetyschneider.com  
 417.862.0558  
 Fax: 417.862.3265

**NEW O'REILLY AUTO PARTS STORE**  
 CLEVELAND HIGHWAY  
 VARNELL, GA  
**PLUMBING DETAILS**

**O'Reilly AUTO PARTS**  
 CORPORATE OFFICES  
 233 SOUTH PATTERSON  
 SPRINGFIELD, MISSOURI 65802  
 (417) 862-2674 TELEPHONE

COMM # 4420  
 DATE: 02-28-2020  
 REVISION 04-10-2020  
 DATE: 07-20-2020

**SMITH-GOTH ENGINEERS, INC.**  
 3855 B. JEFFERSON AVE. P: 417-882-2200  
 SPRINGFIELD, MO 65807 F: 417-882-1188  
 WWW.SMITHGOTH.COM