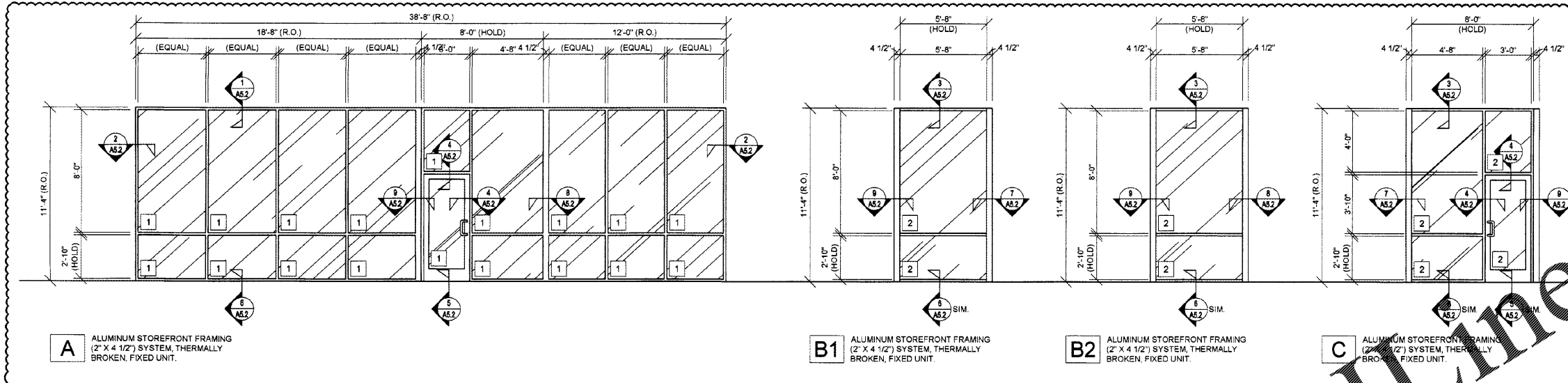


# WINDOW TYPES



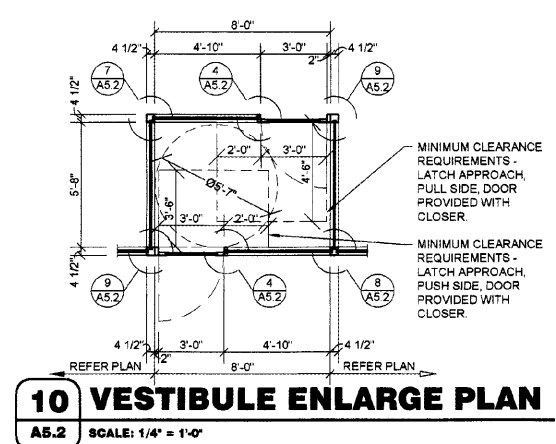
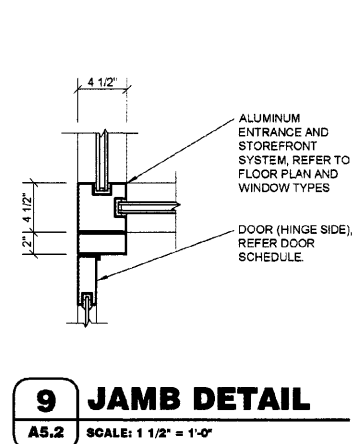
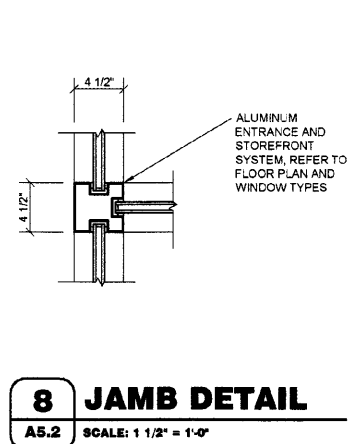
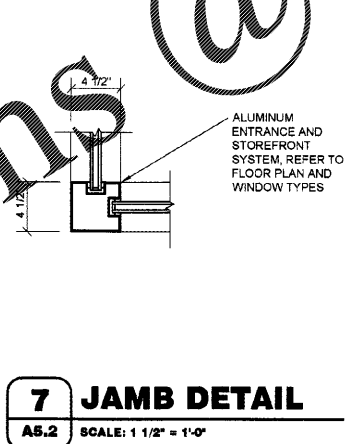
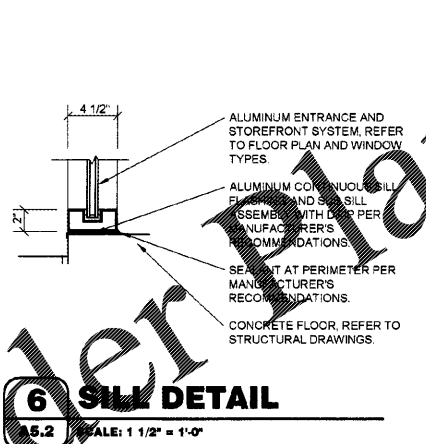
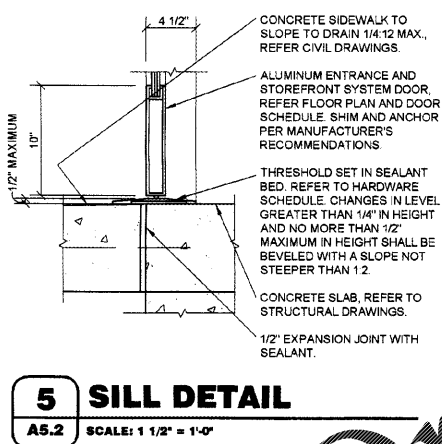
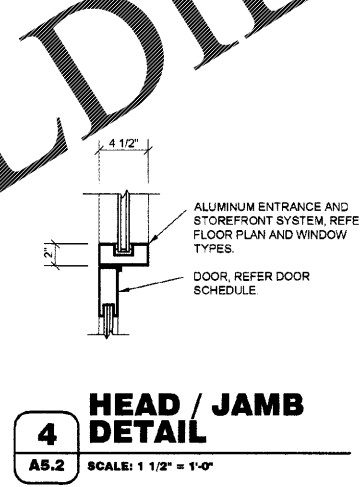
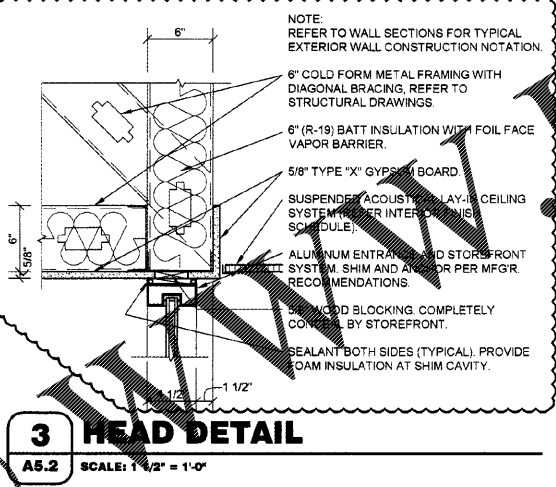
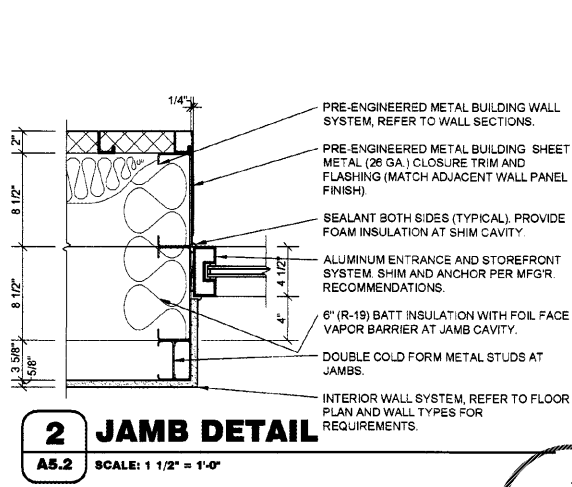
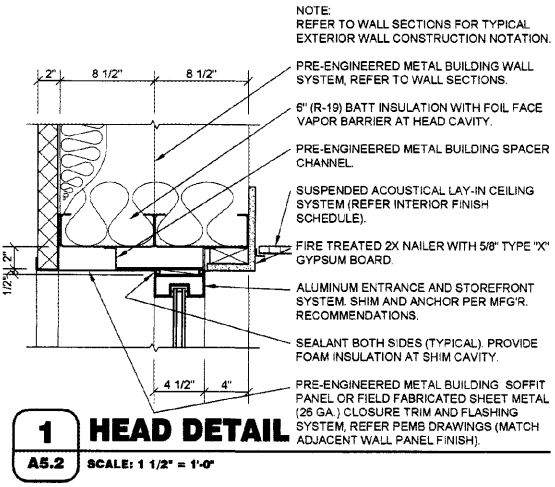
# GENERAL NOTES

- A REFER TO PROJECT MANUAL FOR ADDITIONAL REQUIREMENTS.
- B REFER TO BUILDING CODE SUMMARY FOR PROJECT STRUCTURAL DESIGN CRITERIA. WINDOW FRAMING AND ANCHORING SYSTEMS SHALL BE DESIGNED BY MANUFACTURER TO CONFORM TO PERFORMANCE AND TESTING REQUIREMENTS SPECIFIED.
- C REFER TO FLOOR PLAN, ELEVATIONS, AND SECTIONS FOR ADDITIONAL REQUIREMENTS.
- D WINDOW TYPE ELEVATIONS SHOWN VIEWED FROM EXTERIOR SIDE
- E REFER TO EXTERIOR FINISH SCHEDULES FOR ALUMINUM WINDOW FRAMING COLORS. PERIMETER FINISH COLOR TO MATCH WINDOW FRAMING COLOR UNLESS OTHERWISE INDICATED.
- F ALL DIMENSIONS TO FACE UNLESS OTHERWISE INDICATED. VERIFY ALL ROUGH OPENINGS PRIOR TO FABRICATION.
- G REFER TO DOOR AND HARDWARE SCHEDULES FOR ADDITIONAL REQUIREMENTS.
- H SECURITY SHUTTERS MAY BE REQUIRED. CONTACT PROJECT ADMINISTRATOR FOR VERIFICATION. (REFER TO SCOPE OF WORK SCHEDULE). PROVIDE ADDITIONAL SUPPORT FRAMING SYSTEM AS REQUIRED.
- I WHEN WIND SPEED IS EQUAL TO OR GREATER THAN 120 MPH, A STORM PANEL SYSTEM SHALL BE OWNER FURNISHED AND INSTALLED. CONTACT PROJECT ADMINISTRATOR TO VERIFY AND COORDINATE WITH SYSTEM PROVIDED BY OTHERS. (REFER TO SCOPE OF WORK SCHEDULE). PROVIDE ADDITIONAL SUPPORT FRAMING SYSTEM AS REQUIRED.
- J CONTRACTOR'S OPTION TO DIRECT ORDER AND PURCHASE WINDOW FRAMING SYSTEM AND GLAZING FROM THE FOLLOWING SUPPLIER (REFER TO SCOPE OF WORK SCHEDULE):

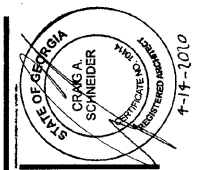
**COULTER & COMPANY**  
 13711 E. 66TH ST. N.  
 OWASSO, OK 74255  
 PHONE: (918) 272-4464  
 FAX: (918) 272-7908  
 EMAIL: carl@coulterglass.com  
 CONTACT: Carl Yorman

# GLAZING SCHEDULE

- 1 1/4" SOLEXIA® EXTERIOR PANE + 1/4" SOLARBAN® 60(3) CLEAR INTERIOR PANE SHADING COEFFICIENT 0.43
- 2 1/4" SAFETY GLAZING



Order Plans @



**CRAIG A. SCHNEIDER, AIA**  
**ARCHITECT**  
 1736 East Sunshine, Suite 417  
 Springfield, Missouri 65804  
 417-862-8558  
 417-862-3265  
 e-mail: architect@estheticsnet.com

PROJECT:  
**NEW O'REILLY AUTO PARTS STORE**  
**CLEVELAND, HIGHWAY**  
**VARNELL, GA**  
**WINDOW SCHEDULE**

**O'Reilly AUTO PARTS**  
 CORPORATE OFFICES  
 233 SOUTH PATTERSON  
 SPRINGFIELD, MISSOURI 65802  
 (417) 862-2674 TELEPHONE

COMM #	4420
DATE:	2-28-2020
REVISION	
DATE:	4-10-2020