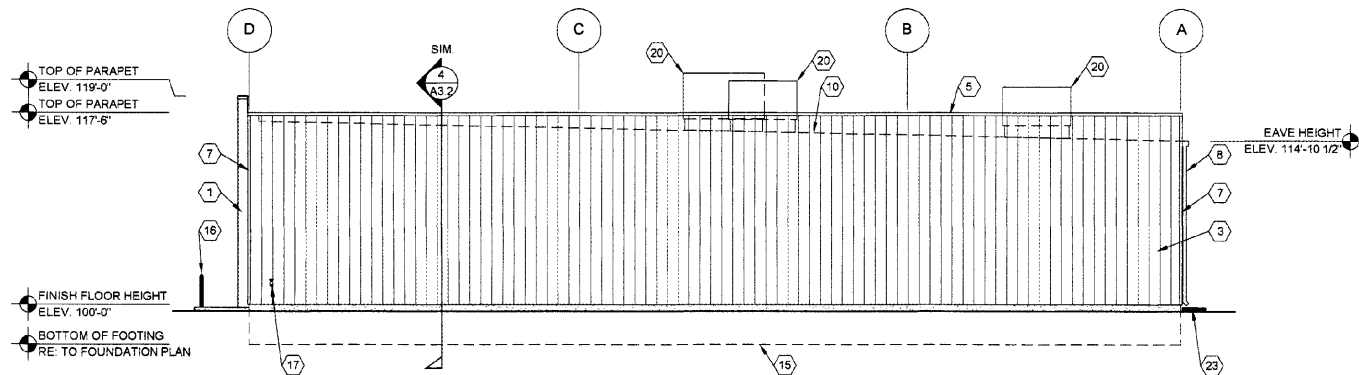


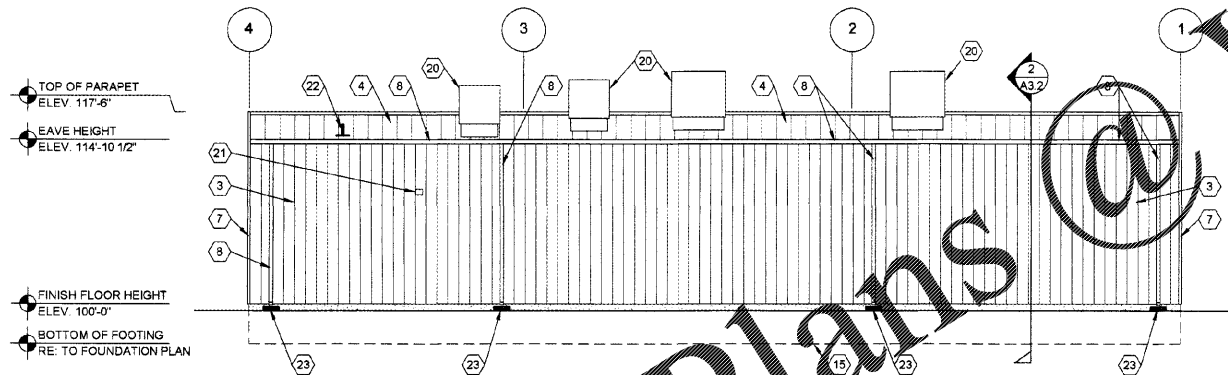
1 EAST EXTERIOR ELEVATION

A2.1 SCALE: 1/8" = 1'-0"



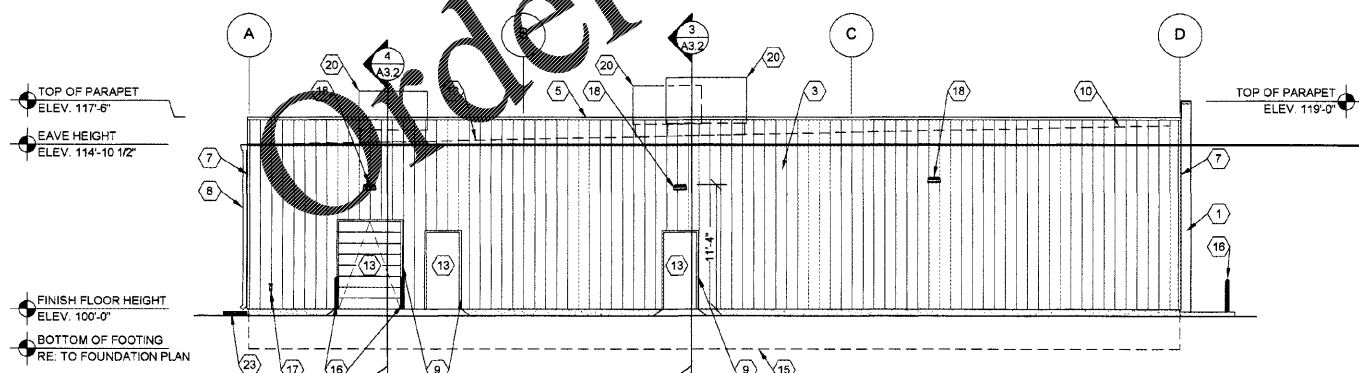
2 NORTH EXTERIOR ELEVATION

A2.1 SCALE: 1/8" = 1'-0"



3 WEST EXTERIOR ELEVATION

A2.1 SCALE: 1/8" = 1'-0"



4 SOUTH EXTERIOR ELEVATION

A2.1 SCALE: 1/8" = 1'-0"

BUILDING ELEVATIONS HAVE BEEN FLIPPED TO MATCH NEW SITE PLAN LAYOUT

EXTERIOR FINISH SCHEDULE

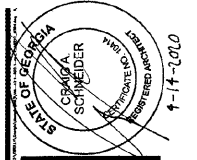
- PRE-ENGINEERED METAL BUILDING WALL PANEL SYSTEMS**
KEY NOTE NO. 1:
 TYPE: EXTERIOR WALL PANEL (TYPE 1)
 MFG: (REFER TO PRE-ENGINEERED METAL BUILDING SHOP DRAWINGS)
 SERIES: EQUAL TO BUTLER BUILDING "STYLWALL"
 FINISH: PREFINISHED
 COLOR: EQUAL TO SHERWIN WILLIAMS "POSITIVE RED" SW6871 GLOSS
- KEY NOTE NO. 2:**
 TYPE: EXTERIOR WALL PANEL (TYPE 2)
 MFG: (REFER TO PRE-ENGINEERED METAL BUILDING SHOP DRAWINGS)
 SERIES: EQUAL TO BUTLER BUILDING "STYLWALL"
 FINISH: PREFINISHED
 COLOR: EQUAL TO BUTLER BUILDING "COOL BIRCH WHITE"
- KEY NOTE NO. 3:**
 TYPE: EXTERIOR WALL PANEL (TYPE 3)
 MFG: (REFER TO PRE-ENGINEERED METAL BUILDING SHOP DRAWINGS)
 SERIES: EQUAL TO BUTLER BUILDING "SHADOWWALL"
 FINISH: PREFINISHED
 COLOR: EQUAL TO BUTLER BUILDING "COOL BIRCH WHITE"
- FLASHING AND SHEET METAL**
KEY NOTE NO. 4:
 TYPE: STANDING SEAM ROOFING SYSTEM
 MFG: (REFER TO PRE-ENGINEERED METAL BUILDING SHOP DRAWINGS)
 COLOR: GALVALUME
- KEY NOTE NO. 5:**
 TYPE: CAP FLASHING AT WALL PANELS (TYPE 2 AND TYPE 3)
 MFG: (REFER TO PRE-ENGINEERED METAL BUILDING SHOP DRAWINGS)
 FINISH: PREFINISHED
 COLOR: EQUAL TO BUTLER BUILDING "COOL BIRCH WHITE"
- KEY NOTE NO. 6:**
 TYPE: CAP FLASHING AT WALL PANELS (TYPE 1)
 MFG: (REFER TO PRE-ENGINEERED METAL BUILDING SHOP DRAWINGS)
 FINISH: PREFINISHED
 COLOR: SHERWIN WILLIAMS "POSITIVE RED" SW6871 (SHER-CRYL) GLOSS WITH SHERWIN WILLIAMS THREE COMPONENT (B65T105 / B65V105 / B65C105) CLEAR URETHANE
- KEY NOTE NO. 7:**
 TYPE: WALL PANEL TRIM
 MFG: (REFER TO PRE-ENGINEERED METAL BUILDING SHOP DRAWINGS)
 FINISH: PREFINISHED
 COLOR: EQUAL TO BUTLER BUILDING "COOL BIRCH WHITE"
- KEY NOTE NO. 8:**
 TYPE: GUTTER AND DOWNSPOUTS
 MFG: (REFER TO PRE-ENGINEERED METAL BUILDING SHOP DRAWINGS)
 FINISH: PREFINISHED
 COLOR: EQUAL TO BUTLER BUILDING "COOL BIRCH WHITE"
- KEY NOTE NO. 9:**
 TYPE: DOOR TRIM
 MFG: (REFER TO PRE-ENGINEERED METAL BUILDING SHOP DRAWINGS)
 FINISH: PREFINISHED
 COLOR: EQUAL TO BUTLER BUILDING "COOL BIRCH WHITE"
- DOORS AND WINDOWS**
KEY NOTE NO. 13:
 TYPE: STEEL DOORS AND FRAMES (DOORS NO. 2 AND 7)
 MFG: (OWNER FURNISHED) / CONTRACTOR INSTALLED
 FINISH: FACTORY PRIMED AND FIELD PAINTED
 COLOR: SHERWIN WILLIAMS (MATCH ADJACENT PANEL COLOR) (SEMI-GLOSS)
- KEY NOTE NO. 14:**
 TYPE: SECTIONAL OVERHEAD DOOR (DOOR NO. 3)
 MFG: (REFER PROJECT MANUAL)
 FINISH: FACTORY PRIMED AND FIELD PAINTED
 COLOR: SHERWIN WILLIAMS (MATCH ADJACENT PANEL COLOR) (SEMI-GLOSS)
- KEY NOTE NO. 15:**
 TYPE: (REFER TO WINDOW SCHEDULE)
 MFG: EFCO, KAWNEER, OR OLD CASTLE (VISTA WALL), (NO SUBSTITUTES)
 FINISH: PREFINISHED
 COLOR: EFCO "IVY", KAWNEER "DARK IVY", VISTA WALL "INTERSTATE GREEN"
- PAINTING**
KEY NOTE NO. 16:
 TYPE: STEEL BOLLARDS (REFER TO CIVIL DRAWINGS)
 FINISH: FIELD PRIME AND PAINT
 COLOR: SHERWIN WILLIAMS "HUNT CLUB" SW6468 (SEMI-GLOSS)

GENERAL NOTES

- (A) REFER TO PROJECT MANUAL FOR ADDITIONAL REQUIREMENTS.
- (B) REFER TO CIVIL DRAWINGS FOR ADDITIONAL REQUIREMENTS.
- (C) REFER TO PLUMBING, MECHANICAL, AND ELECTRICAL DRAWINGS FOR SYSTEM TYPES AND ADDITIONAL REQUIREMENTS.
- (D) REFER TO EXTERIOR FINISH SCHEDULE FOR MATERIAL TYPES.
- (E) REFER TO PRE-ENGINEERED METAL BUILDING SHOP DRAWINGS FOR ADDITIONAL REQUIREMENTS
- (F) REFER TO SCOPE OF WORK SCHEDULE FOR ADDITIONAL REQUIREMENTS.

KEY NOTES

- (1) PRE-ENGINEERED METAL BUILDING EXTERIOR WALL PANEL SYSTEM (TYPE 1).
- (2) PRE-ENGINEERED METAL BUILDING EXTERIOR WALL PANEL SYSTEM (TYPE 2).
- (3) PRE-ENGINEERED METAL BUILDING EXTERIOR WALL PANEL SYSTEM (TYPE 3).
- (4) PRE-ENGINEERED METAL BUILDING SHEET METAL ROOFING SYSTEM.
- (5) PRE-ENGINEERED METAL BUILDING SHEET METAL FLASHING WITH 3" VERTICAL FACE (AT TYPE 2 AND TYPE 3 WALL PANELS).
- (6) PRE-ENGINEERED METAL BUILDING SHEET METAL FLASHING WITH 3" VERTICAL FACE (AT TYPE 1 WALL PANELS).
- (7) PRE-ENGINEERED METAL BUILDING SHEET METAL WALL PANEL TRIM.
- (8) PRE-ENGINEERED METAL BUILDING SHEET METAL GUTTER AND DOWNSPOUT SYSTEM.
- (9) PRE-ENGINEERED METAL BUILDING SHEET METAL DOOR TRIM.
- (10) LINE OF ROOF BEYOND WITH 1/4"=12" SLOPE MINIMUM
- (11) SURFACE MOUNTED SIGN OWNER FURNISHED AND INSTALLED. PROVIDE BACKING FOR MOUNTING AND ROUGH-IN ELECTRICAL COORDINATE REQUIREMENTS WITH OWNER. REFER TO SHEET SG2.1
- (12) BUILDING ADDRESS NUMBERS IN 6" HIGH HELVETICA WHITE VINYL ADHERED TO EXTERIOR FACE OF GLAZING
- (13) EXTERIOR DOOR AND FRAME SYSTEM. REFER TO FLOOR PLAN AND DOOR SCHEDULE FOR TYPES.
- (14) EXTERIOR WINDOW SYSTEM. REFER TO FLOOR PLAN AND WINDOW SCHEDULE FOR TYPES.
- (15) APPROXIMATE LINE OF FOUNDATION, REFER TO STRUCTURAL DRAWINGS.
- (16) STEEL BOLLARDS, REFER TO CIVIL AND STRUCTURAL DRAWINGS.
- (17) HOSE BIB, REFER TO PLUMBING DRAWINGS.
- (18) LIGHT FIXTURE, REFER TO ELECTRICAL DRAWINGS.
- (19) (NOT USED)
- (20) MECHANICAL ROOF TOP UNIT, REFER TO MECHANICAL DRAWINGS.
- (21) MECHANICAL WALL PENETRATIONS, REFER TO MECHANICAL DRAWINGS. PROVIDE FRAMING, FLASHING, AND SEALANT AS REQUIRED. INSTALL RESTROOM EXHAUST FANS 12" MINIMUM ABOVE INTERIOR CEILING FRAMING.
- (22) PLUMBING ROOF VENT, REFER TO PLUMBING DRAWINGS AND DETAIL 11/A4.2
- (23) CONCRETE SPLASH BLOCK INSTALL AT EACH DOWNSPOUT.



CRAIG A. SCHNEIDER, AIA
ARCHITECT
 1736 East Sunshine, Suite 417
 Springfield, Missouri 65804
 417.862.9558
 FAX: 417.862.9286
 e-mail: architect@cschneider.com

PROJECT:
NEW O'REILLY AUTO PARTS STORE
CLEVELAND HIGHWAY
VARNELL, GA
EXTERIOR ELEVATIONS



COMM #	4420
DATE:	2-28-2020
REVISION	
DATE:	4-10-2020