



PROJECT: **NEW O'REILLY AUTO PARTS STORE**
CLEVELAND HIGHWAY
VARNELL, GA

ARCHITECT: **CRAIG A. SCHNEIDER, AIA**

1736 East Sunshine, Suite 417
 Springfield, Missouri 65804
 417.862.8558
 Fax: 417.862.3265
 e-mail: architect@entertymailer.com

PROJECT: **NEW O'REILLY AUTO PARTS STORE**
CLEVELAND HIGHWAY
VARNELL, GA

ARCHITECT: **CRAIG A. SCHNEIDER, AIA**

O'Reilly AUTO PARTS

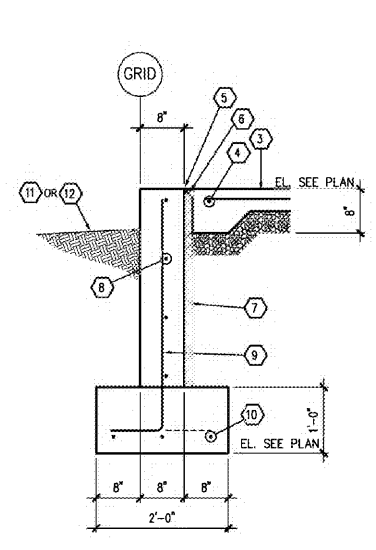
CORPORATE OFFICES
 233 SOUTH PATTERSON
 SPRINGFIELD, MISSOURI 65802
 (417) 862-2674 TELEPHONE

COMM # 4420
 DATE: 2-28-2020
 REVISION
 DATE:

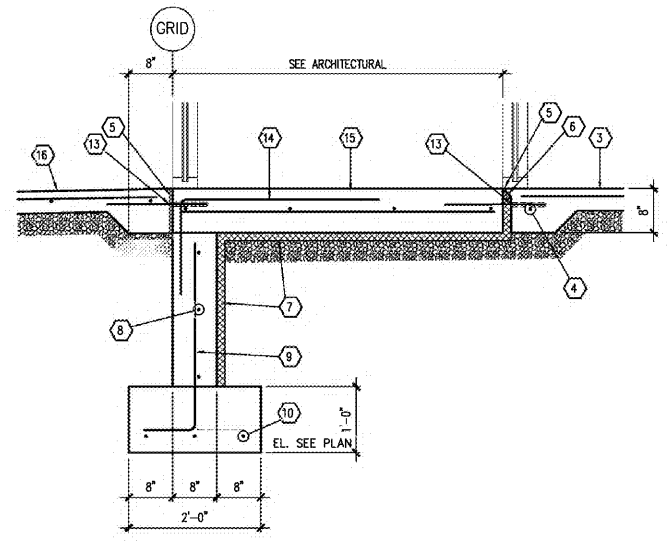
S3.1

KEYNOTES

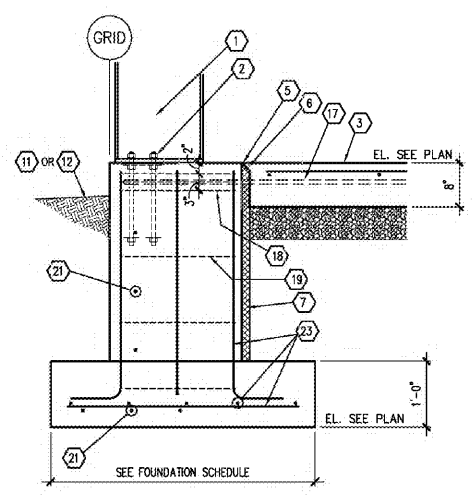
- 1 PRE-ENGINEERED METAL BUILDING STRUCTURAL SYSTEM. SEE P.E.M.B. SHOP DRAWINGS FOR ADDITIONAL INFORMATION.
- 2 ANCHOR BOLTS. SEE FOUNDATION SCHEDULE AND PRE-ENGINEERED METAL BUILDING DRAWINGS FOR SIZE, QUANTITY AND PLAN LOCATION. SEE 1/S3.2 FOR TYPICAL SHOP FABRICATED ANCHOR ASSEMBLY.
- 3 INTERIOR CONCRETE SLAB SEE FOUNDATION PLAN.
- 4 #4 CONTINUOUS
- 5 2" ISOLATION JOINT WITH ASPHALTIC FILLER & SEALANT
- 6 TAPER TOP OF RIGID INSULATION 45 DEGREES AS SHOWN. POUR SLAB OVER INSULATION.
- 7 RIGID INSULATION BOARD LOCATED AS SHOWN AT PERIMETER OF BUILDING. (R-10 MINIMUM REQUIRED).
- 8 #4'S CONTINUOUS AT 12" O.C.
- 9 #4 BENT DOWELS @ 18" O.C. STAGES/HOOKS AS SHOWN
- 10 (3) #4'S CONTINUOUS
- 11 SEE FOUNDATION PLAN FOR FINISHED GRADES.
- 12 PAVING, SEE SITE DEVELOPMENT DRAWINGS FOR ADDITIONAL INFORMATION.
- 13 ENTRY LOCATIONS DRILL 6" DEEP HOLES FOR #4x1-6" DOWELS @ 24" O.C. DOWELS PLACE INTO FOUNDATION. FOLLOW ADHESIVE INSTRUCTIONS SPECIFIED BY MANUFACTURER.
- 14 3x4-6" DOWEL @ 18" O.C. FIELD BEND AS SHOWN
- 15 ENTRY SLAB, SEE PLAN.
- 16 EXTERIOR CONCRETE SLAB OR SIDEWALK SEE FOUNDATION PLAN. REFER TO SITE DEVELOPMENT DRAWINGS FOR ALL EXTERIOR TOP OF CONCRETE ELEVATIONS.
- 17 #5 SLAB HAIRPIN. SEE DETAIL 4/S3.1
- 18 (3) #3 TIES @ 12" O.C.
- 19 #3 TIES @ 12" O.C.
- 20 PROVIDE EXTERIOR FINISH AT TOP OF STEMWALL (SLOPE AS NECESSARY) WITH SMOOTH TRANSITION BETWEEN TOP OF STEMWALL AND TOP OF SLAB.
- 21 STEM WALL AND FOOTING REINFORCEMENT TO RUN CONTINUOUS THROUGH COLUMN PILASTERS AND SPREAD FOOTINGS.
- 22 ADDITIONAL #4 CONTINUOUS
- 23 SEE FOUNDATION SCHEDULE FOR FOOTING & PILASTER REINFORCEMENT.
- 24 #4x4-0" DOWEL CENTERED IN SLAB. TURN 45 DEGREES AS SHOWN
- 25 STEEL BOLLARD SEE SITE PLAN.
- 26 REFER TO SECTIONS FOR REBAR TIE SIZE AND SPACING.
- 27 #4 CORNER REINFORCEMENT TO MATCH STEM WALL BAR SPACING.



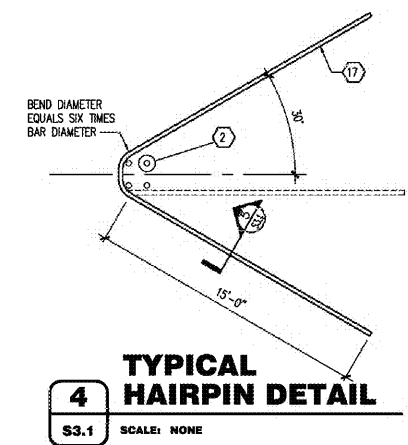
1 SECTION
 S3.1 SCALE: 3/4" = 1'-0"



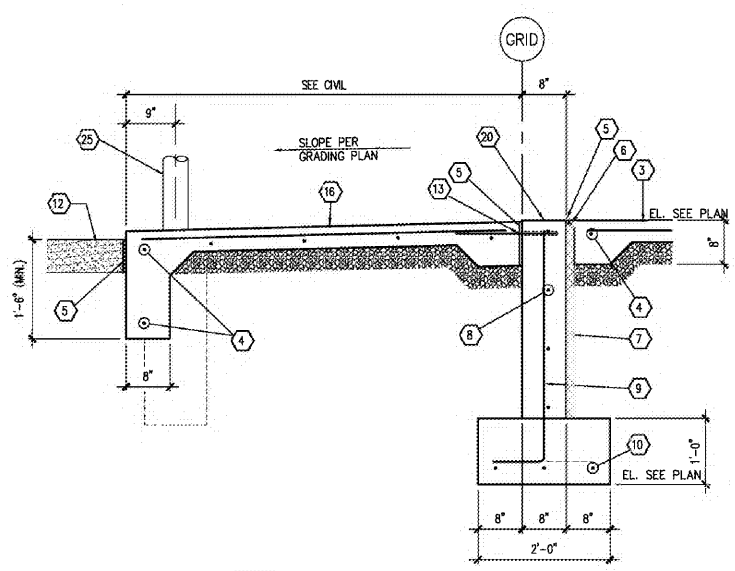
2 SECTION
 S3.1 SCALE: 3/4" = 1'-0"



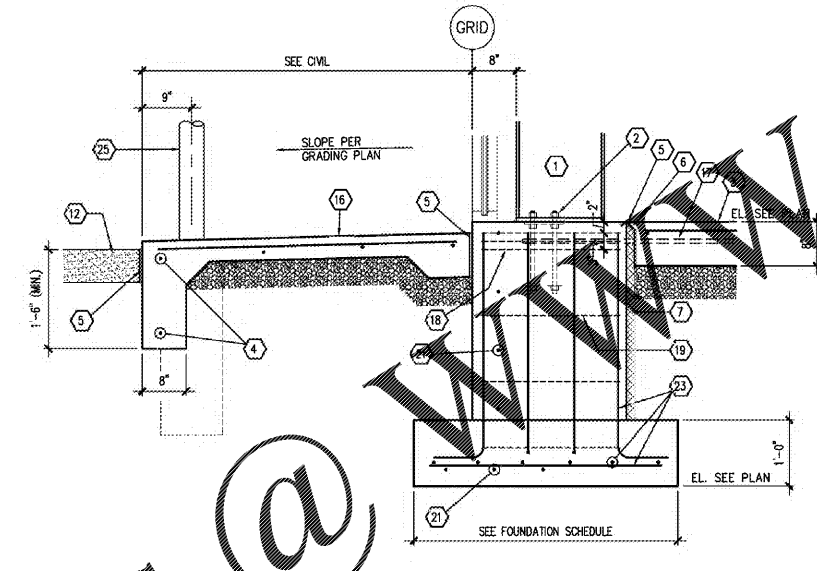
3 SECTION
 S3.1 SCALE: 3/4" = 1'-0"



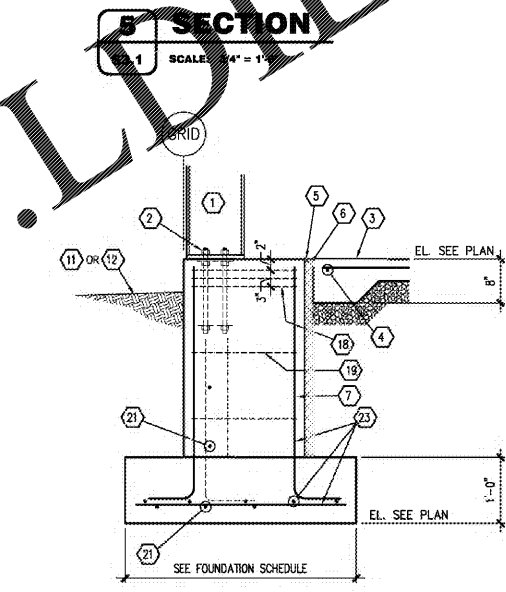
4 TYPICAL HAIRPIN DETAIL
 S3.1 SCALE: NONE



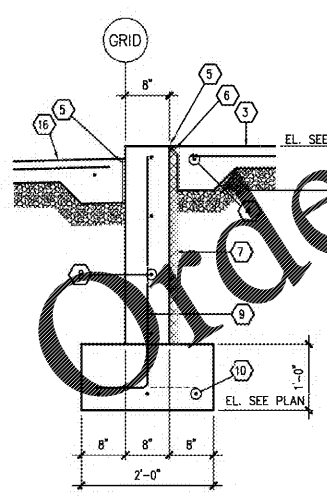
6 SECTION
 S3.1 SCALE: 3/4" = 1'-0"



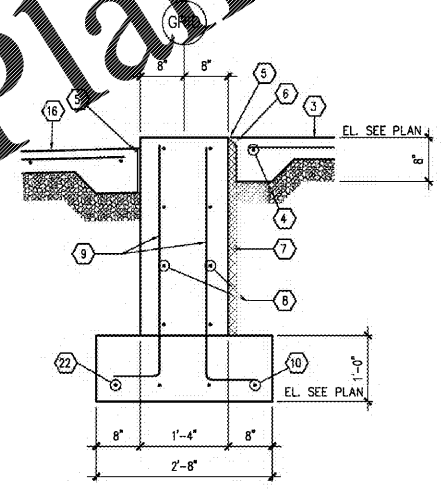
7 SECTION
 S3.1 SCALE: 3/4" = 1'-0"



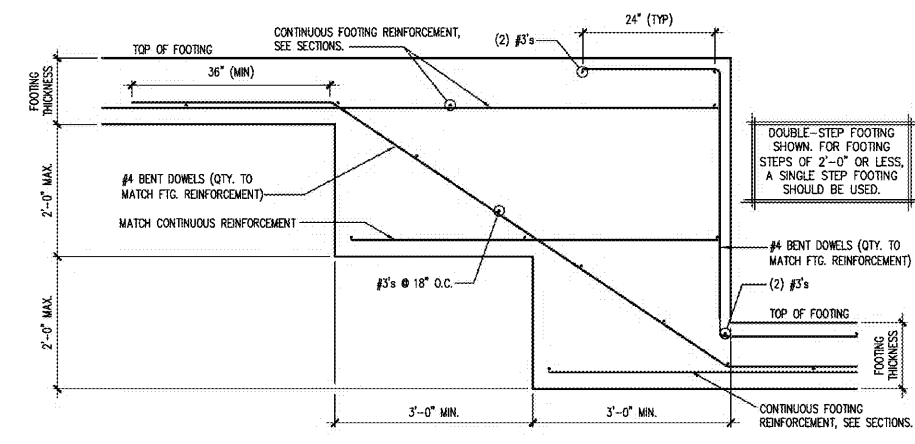
8 SECTION
 S3.1 SCALE: 3/4" = 1'-0"



9 SECTION
 S3.1 SCALE: 3/4" = 1'-0"



10 SECTION
 S3.1 SCALE: 3/4" = 1'-0"



11 TYPICAL STEPPED FOOTING
 S3.1 SCALE: 3/4" = 1'-0" (IF NEEDED)



JS Smith Consulting Engineers
 Firm License No. PEF04253
 Jeffrey S. Smith P.E. 024069
 1801 W 32nd St Bldg B, Ste 104 * JOPLIN, MISSOURI 64804
 P.O. Box 8102 * JOPLIN, MISSOURI 64802
 PHONE: 417-624-0444 * FAX: 417-624-0430

Order Plans @

WWW.LDLINE.com