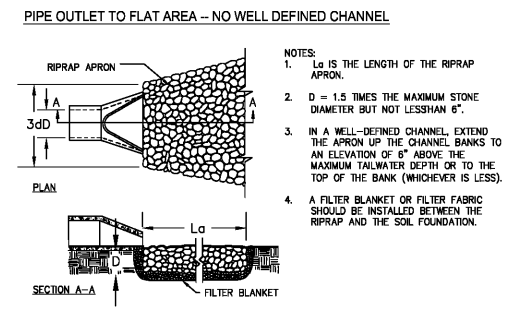


EROSION CONTROL CERTIFICATION:

I CERTIFY UNDER PENALTY OF LAW THAT THIS PLAN WAS PREPARED AFTER A SITE VISIT TO THE LOCATIONS DESCRIBED HEREIN BY MYSELF OR MY AUTHORIZED AGENT, UNDER MY DIRECT SUPERVISION

0000089429 / 10-18-2022
LEVEL 1 CERTIFICATION / EXPIRATION DATE

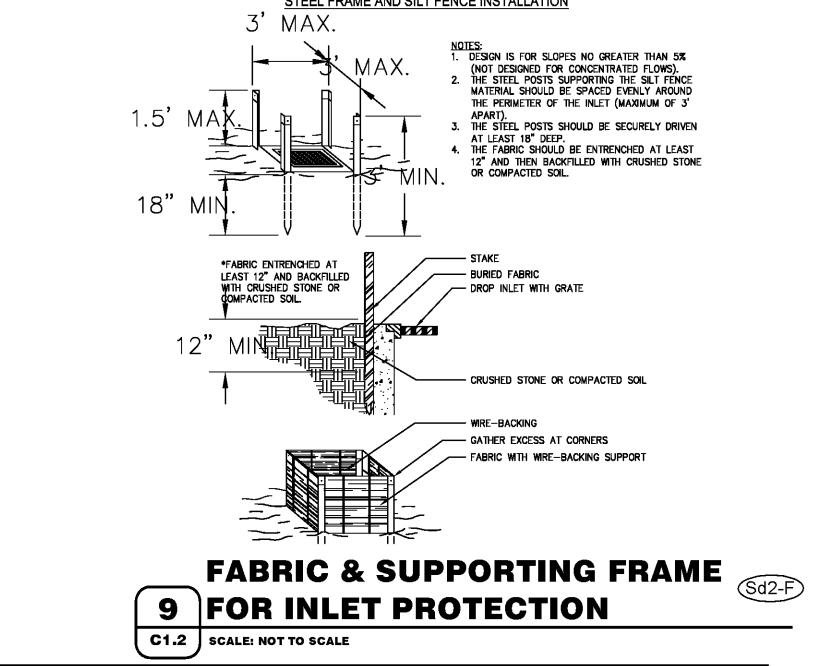
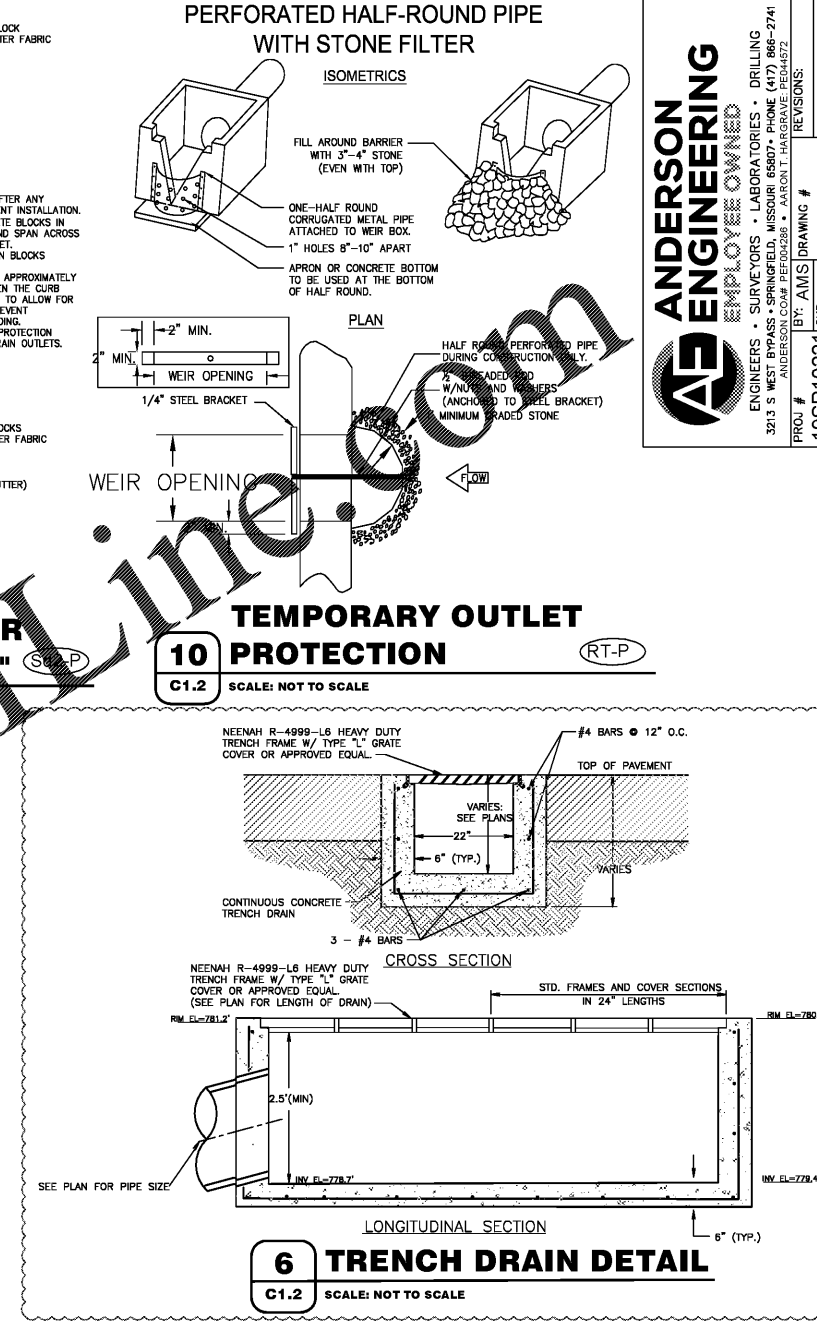
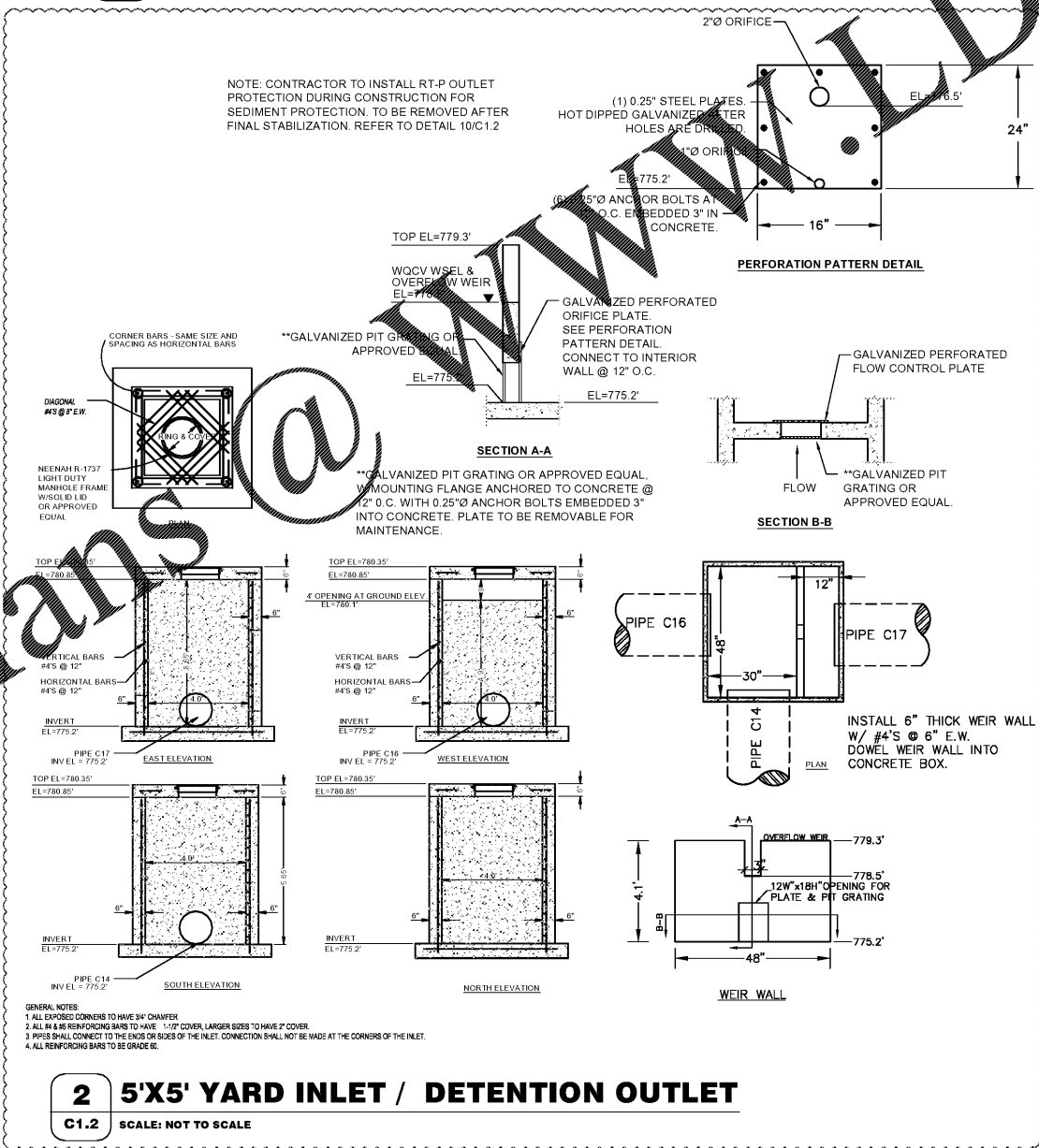
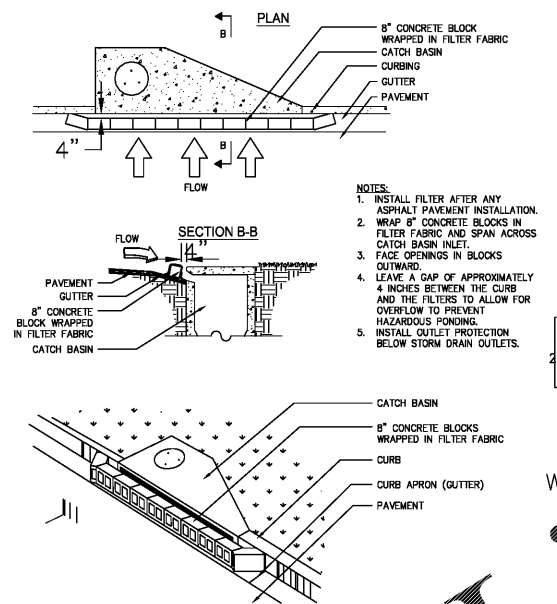


FLOW CHARACTERISTICS

Flow Rate @ full capacity = 2.52 cfs
Velocity @ full capacity = 3.21 fps
No Tailwater

RIPRAP DIMENSIONS

La = 6 ft
W1 = 3 ft
W2 = 9 ft
d50 = 0.5 ft
D = 1 ft



ANDERSON ENGINEERING
EMPLOYEE OWNED
ENGINEERS • SURVEYORS • LABORATORIES • DRILLING
3013 S. WEST BYPASS • SPRINGFIELD, MISSOURI 65807 • PHONE (417) 866-2741
ANDERSON CORP. REG. # 000000000 • AARON T. HARGRAVE, REG. # 44572

CRAIG A. SCHNEIDER, AIA
ARCHITECT
1736 East Sunshine, Suite 417
Springfield, Missouri 65804
e-mail: architect@esterjtschneider.com

PROJ # 19SP10221
BY: AMS
DATE: 09-15-20

O'Reilly AUTO PARTS
CORPORATE OFFICES
233 SOUTH PATTERSON
SPRINGFIELD, MISSOURI 65802
(417) 862-2674 TELEPHONE

PROJECT:
NEW O'REILLY AUTO PARTS STORE
CLEVELAND HIGHWAY
VARNELL, GA

STORMWATER DETAILS

COMM # 4420
DATE: 2-28-2020
REVISION DATE: 4-10-2020
7-20-2020
9-16-2020

O'Reilly AUTO PARTS