

WHERE CONCENTRATED LOAD EXCEEDING 200 LBS (900 LBS FOR KCS AND LH JOISTS) FALLS BETWEEN BOT CHORD OR TOP CHORD PANEL POINTS WHERE DIM (X) IS 6' OR GREATER, PROVIDE (2) 1x1x1/8 STRUTS TO PANEL POINTS, FIELD INSTALLED, AS SHOWN.

NOTE: INSTALL STRUTS AT ALL 4" DIA AND LARGER SPRINKLER PIPE HANGERS WHERE DIM (X) IS 6' OR GREATER.

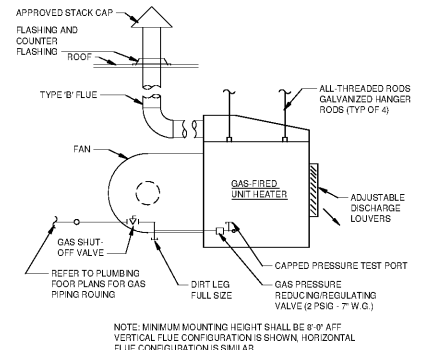
K SERIES JOIST NOTES:

- WHERE UTILITIES RUN PARALLEL TO JOISTS, HANGERS SHALL BE SPACED SUCH THAT HANGER LOAD DOES NOT EXCEED 200 LBS.
- WHERE UTILITIES RUN PERPENDICULAR TO JOISTS, HANGERS SHALL BE SPACED SUCH THAT HANGER LOAD DOES NOT EXCEED 200 LBS, OR HANGER SHALL BE LOCATED AT EA JOIST.
- CLAMPS SHALL NOT BE USED WHERE LOAD EXCEEDS 50 LBS.
- WHERE MULTIPLE HANGERS ARE LOCATED BETWEEN PANEL POINTS, THE CUMULATIVE LOAD SHALL NOT EXCEED 200 LBS.

KCS AND LH SERIES JOIST NOTES:

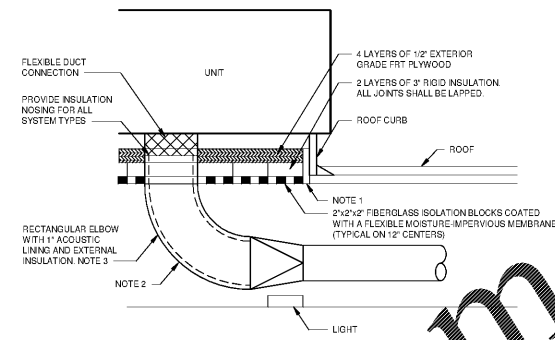
- WHERE UTILITIES RUN PARALLEL TO JOISTS, HANGERS SHALL BE SPACED SUCH THAT HANGER LOAD DOES NOT EXCEED 500 LBS.
- WHERE UTILITIES RUN PERPENDICULAR TO JOISTS, HANGERS SHALL BE SPACED SUCH THAT HANGER LOAD DOES NOT EXCEED 500 LBS, OR HANGER SHALL BE LOCATED AT EA JOIST.
- CLAMPS SHALL NOT BE USED WHERE LOAD EXCEEDS 50 LBS.
- WHERE MULTIPLE HANGERS ARE LOCATED BETWEEN PANEL POINTS, THE CUMULATIVE LOAD SHALL NOT EXCEED 500 LBS.

TYPICAL LOAD SUPPORTED FROM JOIST DETAIL
NO SCALE



NOTE: MINIMUM MOUNTING HEIGHT SHALL BE 6" AFF VERTICAL FLUE CONFIGURATION IS SHOWN. HORIZONTAL FLUE CONFIGURATION IS SIMILAR.

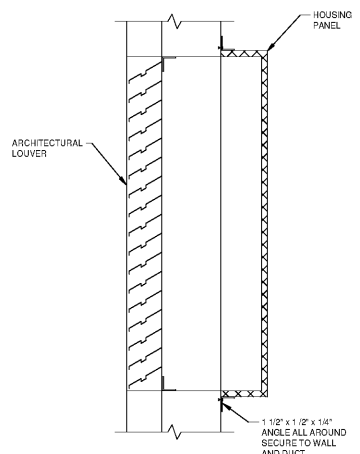
GAS UNIT HEATER DETAIL
NO SCALE



NOTES:

- PERIMETER ISOLATION SHALL BE 3" RIGID INSULATION TUBED HORizontally (SHALL BE LOCATED ON ALL INTERIOR SURFACES (CURB WALLS, DUCT WALLS, PIPING, ETC.) SO THAT PLYWOOD DOES NOT CONTACT INSULATION SURFACE. PERIMETER RAIL PLYWOOD SHALL BE FITTED FIRMLY TO PERIMETER RAIL. ANY GAPS SHALL BE CAULKED WITH A NON-HARDENING, HEAVY-DUTY MATERIAL SUCH AS 90/10 RTU ARCHITECTURAL JOINT SEAL. MAXIMUM GAP SHALL BE 1/8".
- 1.5" RADIUS ELBOW SHOWN. PROVIDE 1.5" RADIUS BOW WHERE REQUIRED FOR LIMITED CEILING SPACE.
- ELBOW SHALL BE HEAVY GAUGE WITH 1" ACOUSTIC LINING. MEDIUM PRESSURE VALVE SYSTEMS - 12 GADE. LOW PRESSURE VALVE ZONE UNITS - 14 GADE.

RTU SOUND-SENSITIVE DETAIL
NO SCALE



WALL LOUVER DETAIL
NO SCALE

Order Plans @ www.LDILine.com

MOSELEY ARCHITECTS

6210 ARDREY HELL ROAD • THE HUB AT WAVERLY, SUITE 425 • CHARLOTTE, NC 28277
PHONE (704) 540-3755 FAX (704) 540-3754
MOSELEYARCHITECTS.COM



MARION COUNTY LEC

591492
MARION COUNTY
2715 EAST HWY 76, MULLINS, SC 29574

PROJECT NO:	591492
DATE:	OCTOBER 30, 2020
REVISIONS:	
DATE:	DESCRIPTION:

DETAILS

M5.3