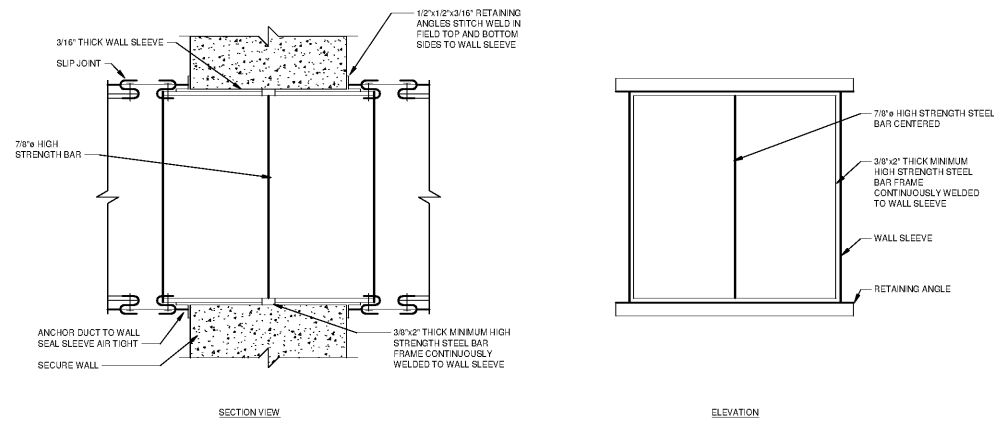


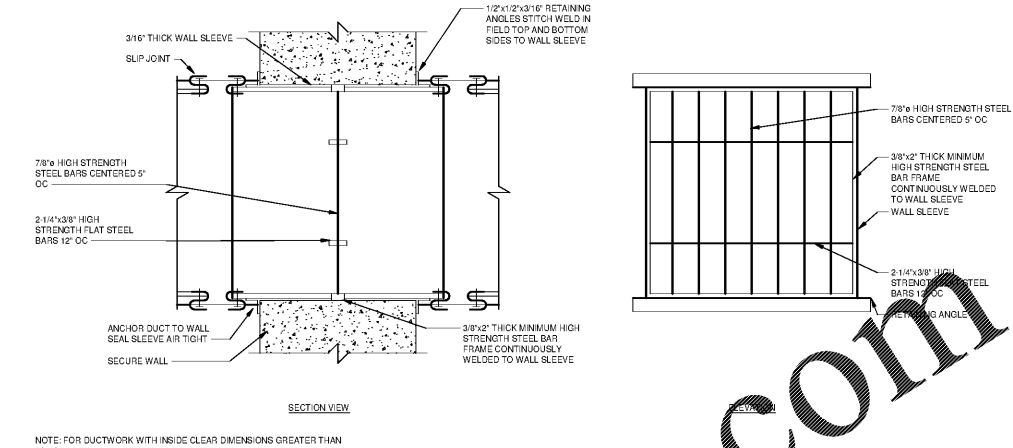
Order Plans



SECTION VIEW
ELEVATION

NOTE: FOR DUCTWORK WITH INSIDE CLEAR DIMENSIONS LESS THAN OR EQUAL TO 12x12

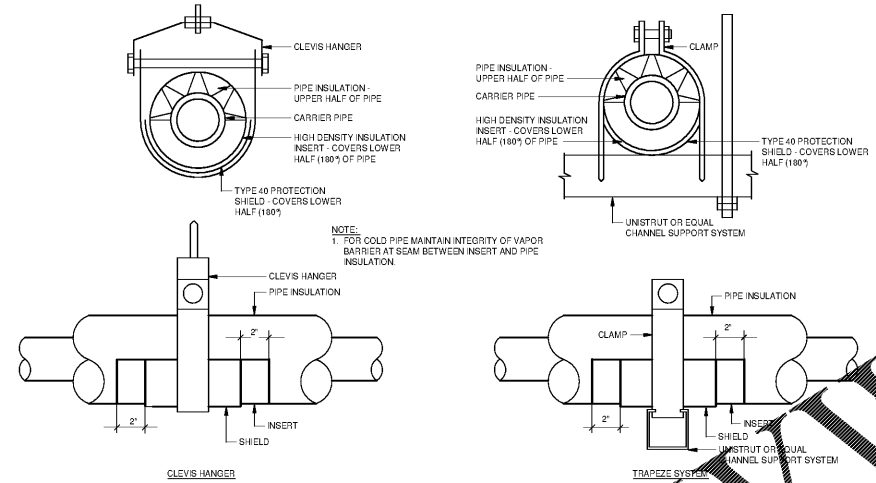
INTERIOR SECURITY WALL - DUCT MOUNTED SECURITY BAR DETAIL - SMALL
NO SCALE



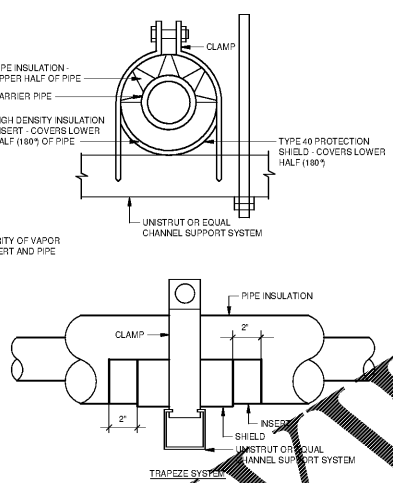
SECTION VIEW
ELEVATION

NOTE: FOR DUCTWORK WITH INSIDE CLEAR DIMENSIONS GREATER THAN 12x12

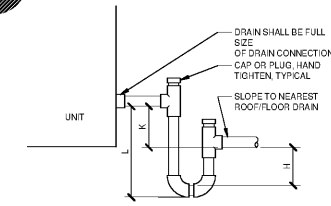
INTERIOR SECURITY WALL - DUCT MOUNTED SECURITY BAR DETAIL - LARGE
NO SCALE



PIPE SUPPORT AND THERMAL SHIELD DETAILS
NO SCALE



OPEN END DUCT DETAIL
NO SCALE

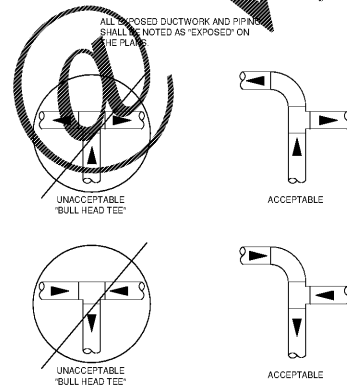


UNIT

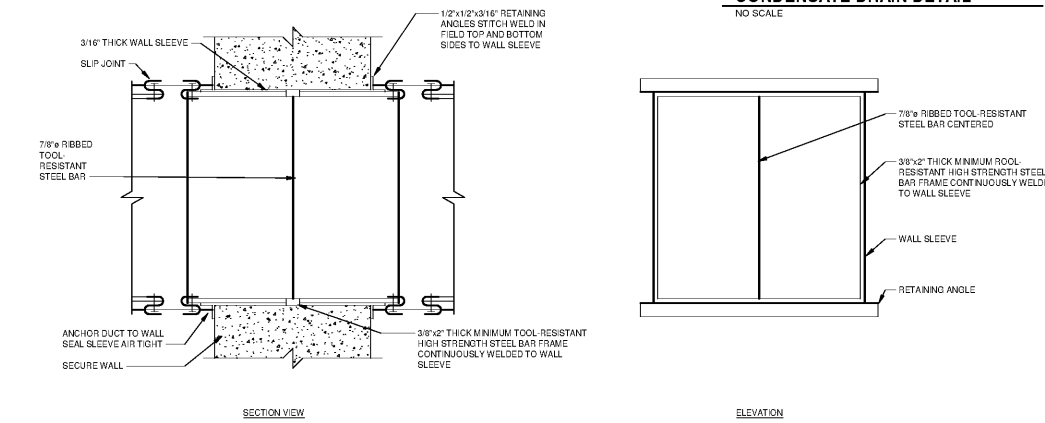
$K = 1"$ FOR EACH 1" OF MAXIMUM NEGATIVE STATIC PRESSURE + 1"
 $H = 1/2"$
 $L = H + K + \text{PIPE DIAMETER} + \text{INSULATION}$

NOTES:
1. LOCATE TRAP AS CLOSE AS POSSIBLE TO UNIT OUTLET WITH BOTTOM BELOW SUPPORT STRUCTURE.
2. COORDINATE MOUNTING CURB HEIGHT AS REQUIRED TO PROVIDE PROPER CONDENSATE DRAINAGE TRAP HEIGHT.
3. NOTIFY ARCHITECT BEFORE FABRICATION IF PHYSICAL CONDITIONS PREVENT INSTALLATION OF DEPTH INDICATED.

NEGATIVE PRESSURE CONDENSATE DRAIN DETAIL
NO SCALE



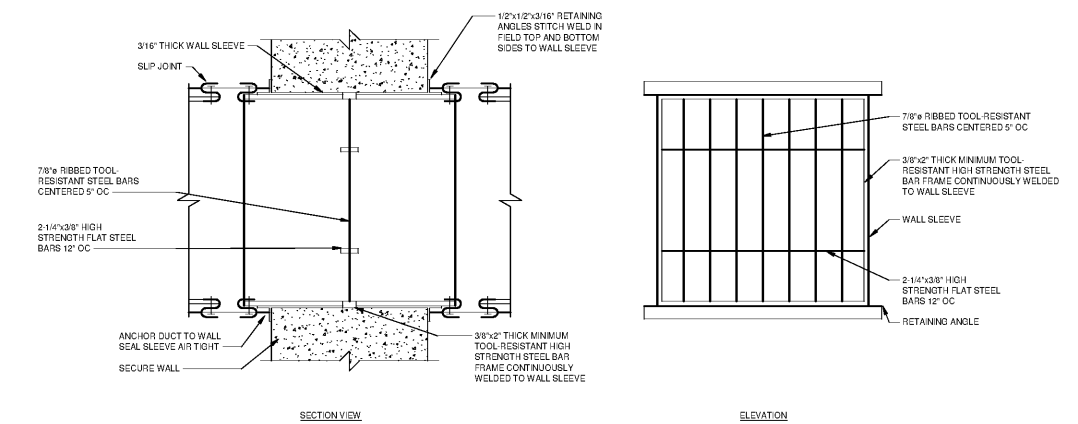
PIPE TEE CONFIGURATION DETAIL
NO SCALE



SECTION VIEW
ELEVATION

NOTE: FOR DUCTWORK WITH INSIDE CLEAR DIMENSIONS LESS THAN OR EQUAL TO 12x12

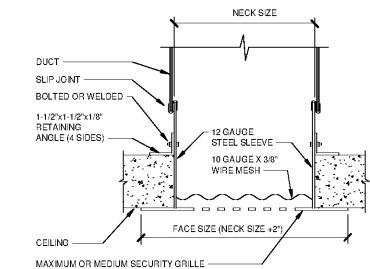
PERIMETER SECURITY WALL - DUCT MOUNTED SECURITY BAR DETAIL - SMALL
NO SCALE



SECTION VIEW
ELEVATION

NOTE: FOR DUCTWORK WITH INSIDE CLEAR DIMENSIONS GREATER THAN 12x12

PERIMETER SECURITY WALL - DUCT MOUNTED SECURITY BAR DETAIL - LARGE
NO SCALE



SECURITY GRILLE DETAIL
NO SCALE



DATE	REVISIONS
PROJECT NO: 591492	DATE: OCTOBER 30, 2020
DATE	DESCRIPTION