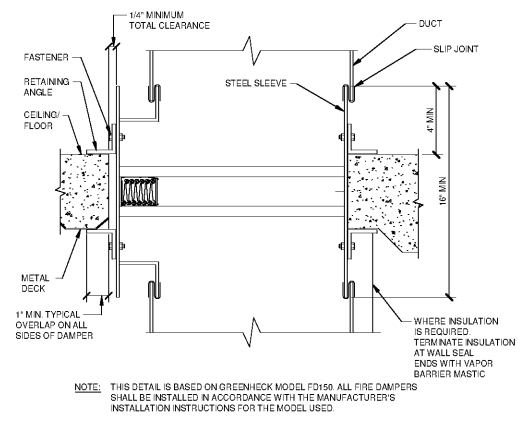
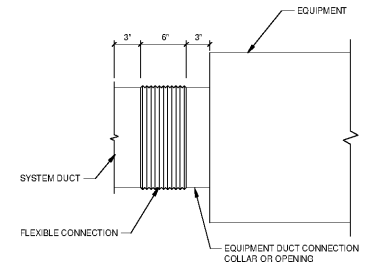


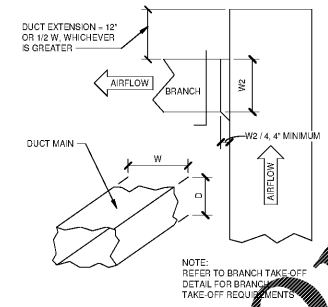
Order Plans @



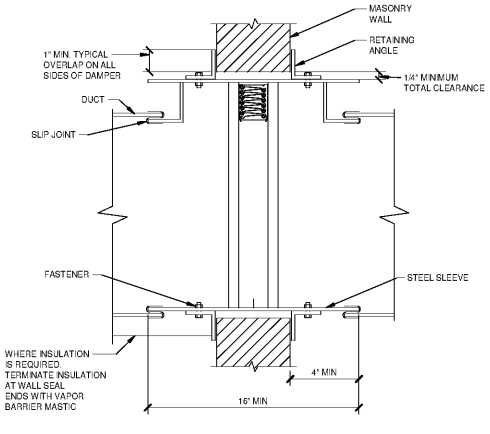
**FIRE DAMPER INSTALLATION DETAIL - TYPE B (HORIZONTAL)**  
NO SCALE



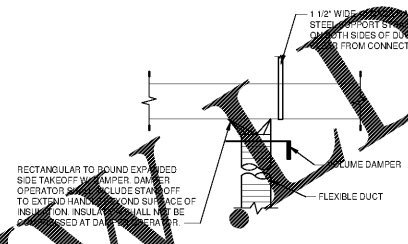
**EQUIPMENT DUCT CONNECTION DETAIL**  
NO SCALE



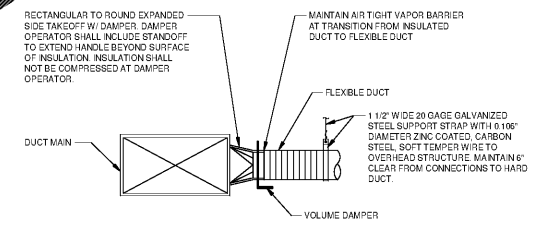
**DUCT END OF MAIN DETAIL**



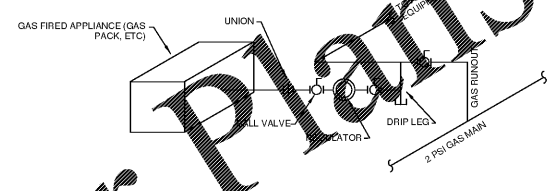
**FIRE DAMPER INSTALLATION DETAIL - TYPE B (VERTICAL)**  
NO SCALE



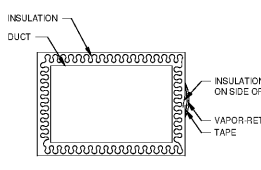
**BRANCH TAKEOFF TO DIFFUSER-BOTTOM**



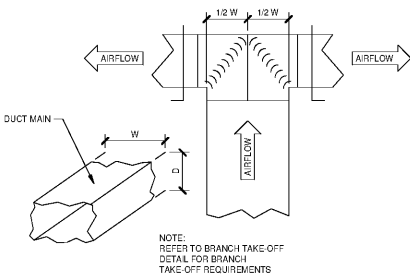
**BRANCH TAKEOFF TO DIFFUSER-SIDE**



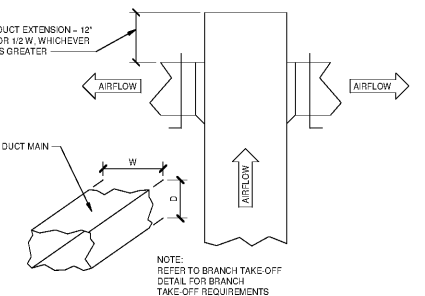
**GAS APPLIANCE PIPING DETAIL**  
NO SCALE



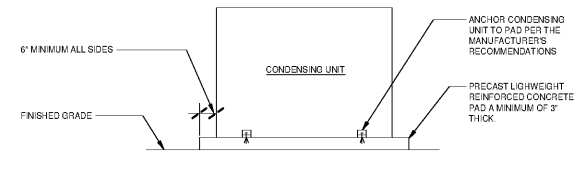
**DUCT INSULATION JOINT DETAIL**  
REFER TO SPECIFICATION SECTION 230700 FOR ADDITIONAL INFORMATION.



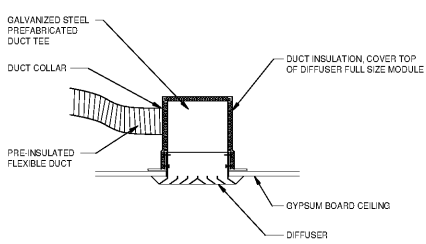
**DUCT SPLIT WITH VANES DETAIL**  
DESIGNER NOTES:  
USE WHERE "W" EXCEEDS 24" OR WHEN AIR FLOW IS IN EXCESS OF 1500 CFM. MAY BE PROPORTIONAL



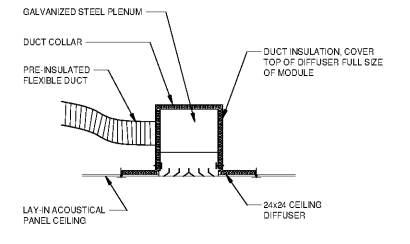
**DUCT SPLIT WITHOUT VANES DETAIL**  
DESIGNER NOTES:  
USE WHERE "W" IS LESS THAN 24" WHEN YOU HAVE ROUND DUCT BRANCHES TO DIFFUSERS, OR WHEN AIR FLOW IS EQUAL TO OR LESS THAN 1500 CFM.



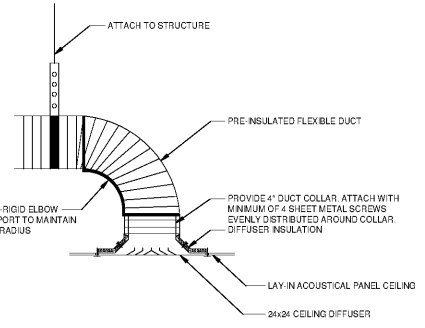
**CONDENSING UNIT SUPPORT DETAIL (PAD MOUNT)**  
NO SCALE



**SUPPLY DIFFUSER CONNECTION GYP**  
NOTE: THE DIFFUSER ASSEMBLY MAY BE SUPPORTED FROM THE CEILING FRAMING SYSTEM. THE DIFFUSER SHALL BE INSTALLED LEVEL AND TIGHT TO THE UNDERSIDE OF THE CEILING.



**SUPPLY DIFFUSER CONNECTION LAYIN**



**SUPPLY DIFFUSER CONNECTION LAYIN-COLLAR**

MOSELEYARCHITECTS



6210 ARDREY HELL ROAD • THE HUB AT WAVERLY, SUITE 425 • CHARLOTTE, NC 28277  
PHONE (704) 540-3755 FAX (704) 540-3754  
MOSELEYARCHITECTS.COM

MARION COUNTY LEC

591492  
MARION COUNTY  
2715 EAST HWY 76, MULLINS, SC 29574

PROJECT NO:	591492
DATE:	OCTOBER 30, 2020
REVISIONS	
DATE	DESCRIPTION

DETAILS

M5.1

10/29/2020 3:50:43 PM