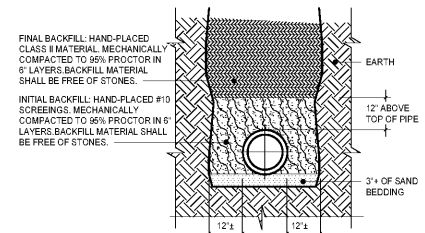
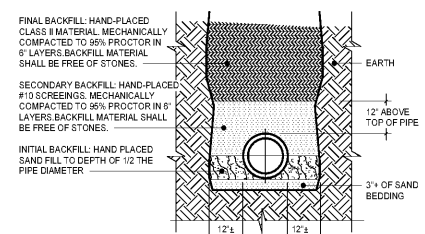


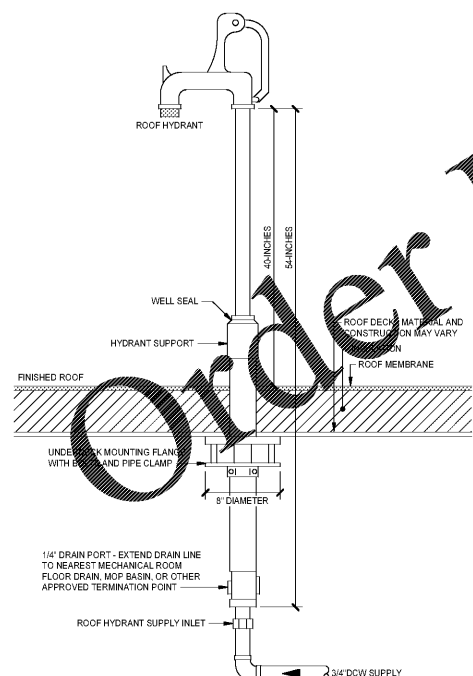
10/30/2020 9:46:42 AM



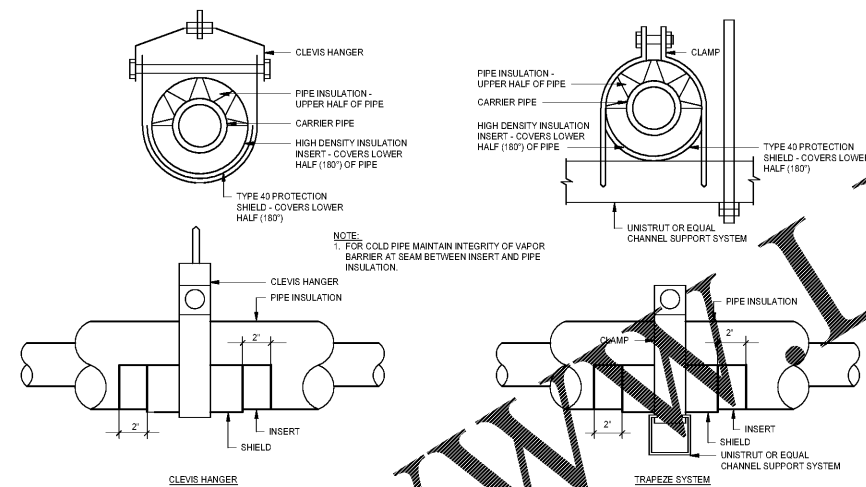
CAST IRON PIPE BEDDING DETAIL
NO SCALE



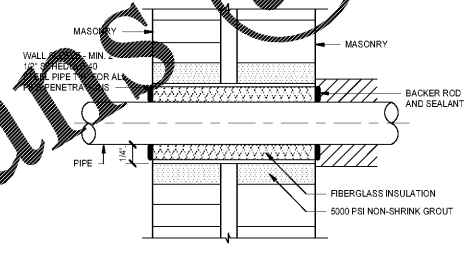
PVC PIPE BEDDING DETAIL
NO SCALE



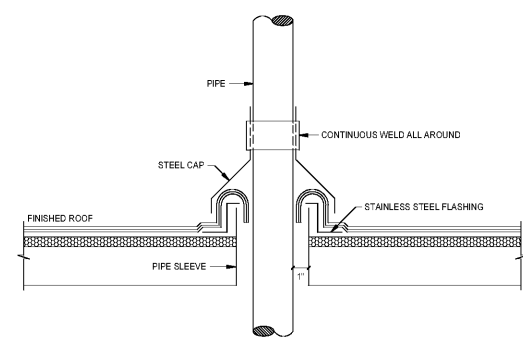
ROOF HYDRANT DETAIL
NO SCALE



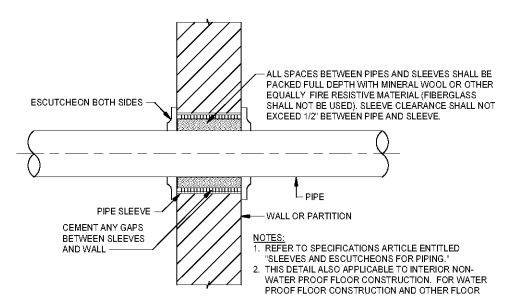
PIPE SUPPORT AND THERMAL SHIELD DETAILS
NO SCALE



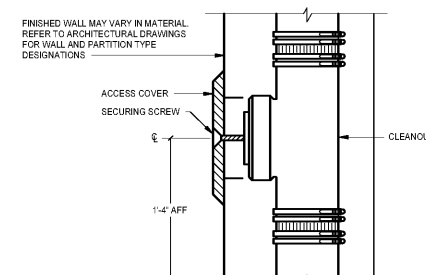
PIPE SLEEVE DETAIL
NO SCALE



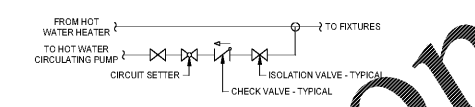
UNINSULATED PIPE THRU ROOF DETAIL
NO SCALE



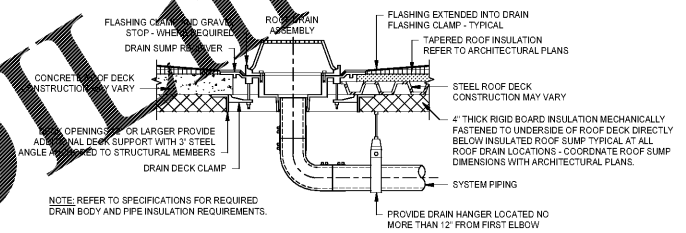
PIPE THRU FIRE RATED PARTITION & WALL DETAIL
NO SCALE



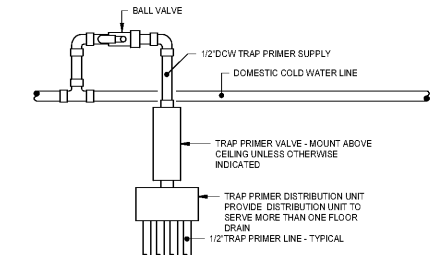
WALL CLEANOUT DETAIL
NO SCALE



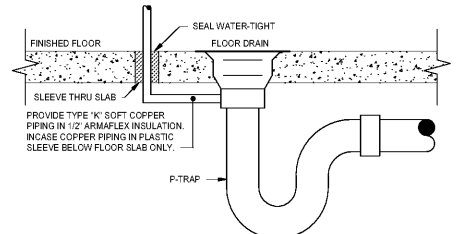
HOT WATER RECIRCULATION BRANCH CONNECTION DETAIL
NO SCALE



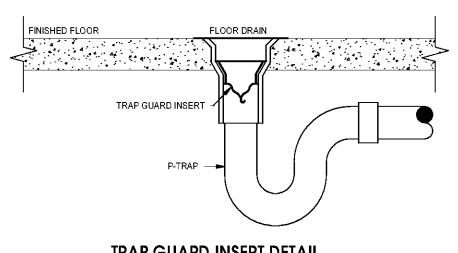
ROOF DRAIN INSULATION DETAIL
NO SCALE



NOTES:
1. PRIMERS, VALVES, AND ASSOCIATED PIPING SHALL BE INSTALLED IN ACCESSIBLE LOCATIONS.
2. PROVIDE DISTRIBUTION UNIT SIZED FOR NUMBER OF DRAINS TO BE SERVED BY EACH INDIVIDUAL PRIMER.
3. DISTRIBUTION UNIT SHALL BE INSTALLED PER MANUFACTURER'S INSTRUCTIONS AND RECOMMENDATIONS.



MECHANICAL PRIMER DETAIL



TRAP GUARD INSERT DETAIL
NO SCALE

TRAP PRIMER ASSEMBLY DETAILS
NO SCALE

MOSELEYARCHITECTS

1320 MAIN STREET, SUITE 300, COLUMBIA, SC 29201
PHONE (803) 724-1252
MOSELEYARCHITECTS.COM



MARION COUNTY LEC

591492
MARION COUNTY
2715 EAST HWY 76, MULLINS, SC 29574

PROJECT NO:	591492
DATE:	OCTOBER 30, 2020
REVISIONS:	
DATE:	
DESCRIPTION:	

DETAILS