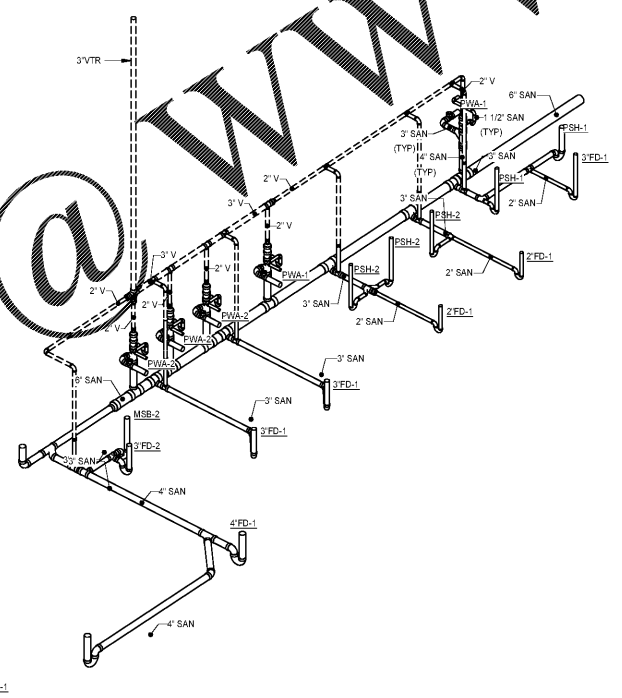


10/30/2020 9:46:34 AM

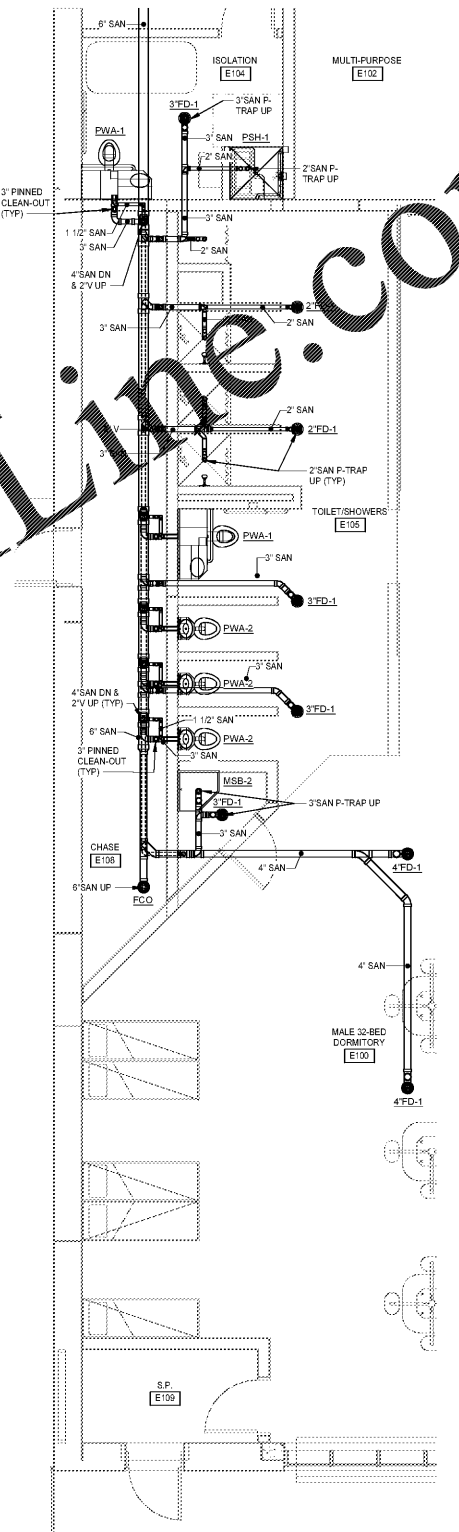
J  
H  
G  
F  
E  
D  
C  
B  
A

Order Plans @

WWW.LDILINE.COM



S1 SAN RISER - DORMITORY  
NO SCALE



1 ENLARGED FIRST FL PL - SAN - AREA B - DORMITORY  
P2.1.2 P4.1.3 1/4\"/>

MOSELEYARCHITECTS



1320 MAIN STREET, SUITE 300, COLUMBIA, SC 29201  
PHONE (803) 724-1252  
MOSELEYARCHITECTS.COM

MARION COUNTY LEC

591492  
MARION COUNTY  
2715 EAST HWY 76, MULLINS, SC 29574

PROJECT NO:	591492
DATE:	OCTOBER 30, 2020
REVISIONS:	
DATE:	DESCRIPTION

ENLARGED PLANS -  
SANITARY

P4.1.3