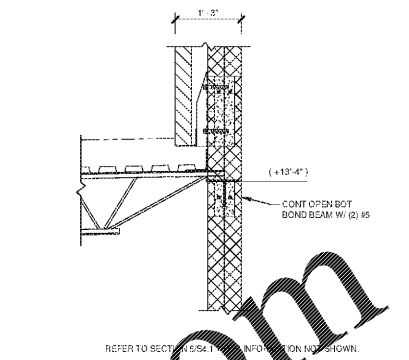
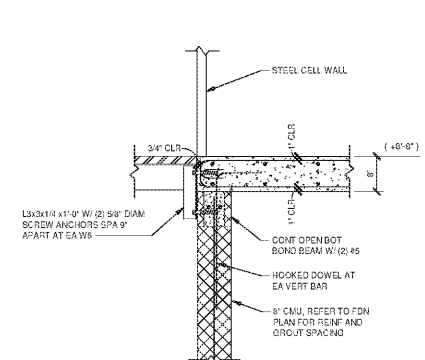




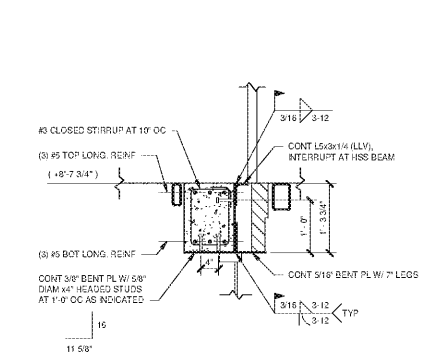
PROJECT NO:	591492
DATE:	OCTOBER 30, 2020
REVISIONS:	
DATE:	DESCRIPTION:



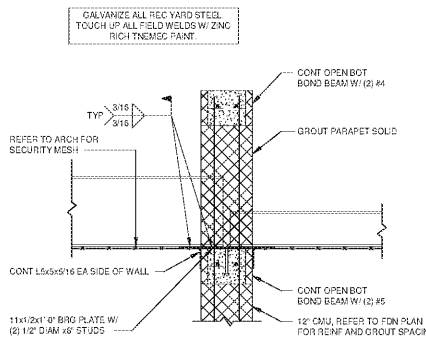
4 SECTION
S2.1.1 | S4.1.1 | 3/4" - 1'-0"



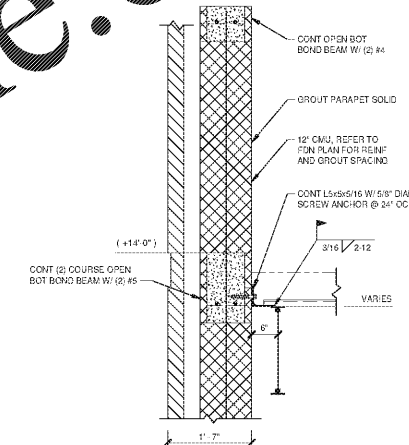
8 SECTION
S2.1.1 | S4.1.1 | 3/4" - 1'-0"



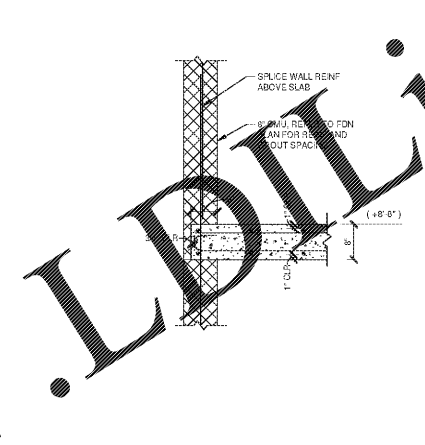
12 SECTION
S2.1.1 | S4.1.1 | 3/4" - 1'-0"



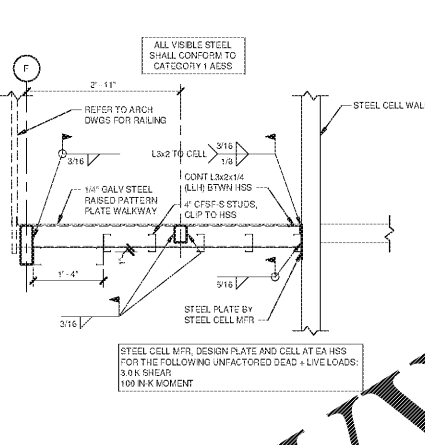
16 SECTION
S2.1.1 | S4.1.1 | 3/4" - 1'-0"



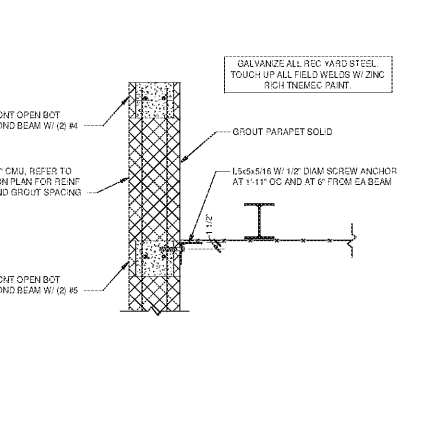
3 SECTION
S2.1.1 | S4.1.1 | 3/4" - 1'-0"



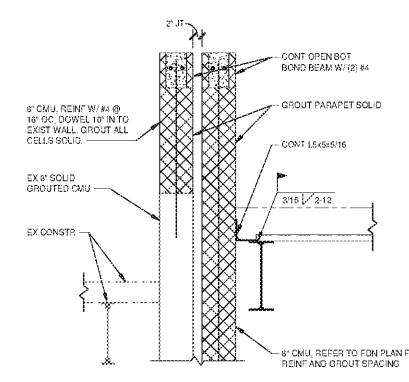
7 SECTION
S2.1.1 | S4.1.1 | 3/4" - 1'-0"



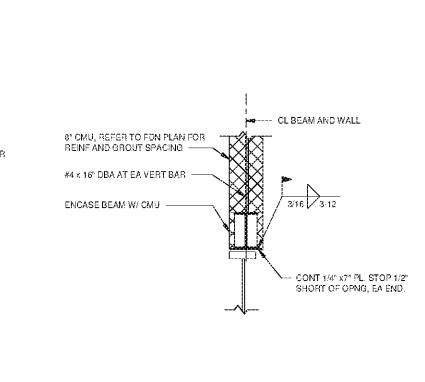
11 SECTION
S2.1.1 | S4.1.1 | 3/4" - 1'-0"



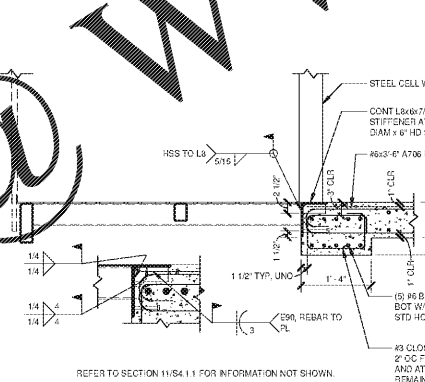
15 SECTION
S2.1.1 | S4.1.1 | 3/4" - 1'-0"



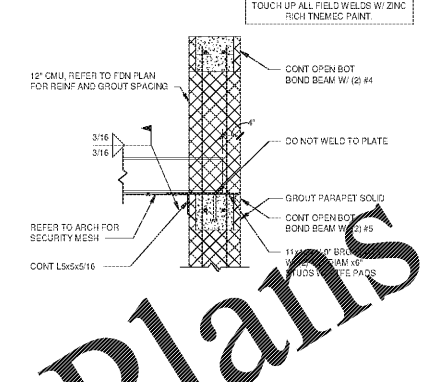
2 SECTION
S2.1.1 | S4.1.1 | 3/4" - 1'-0"



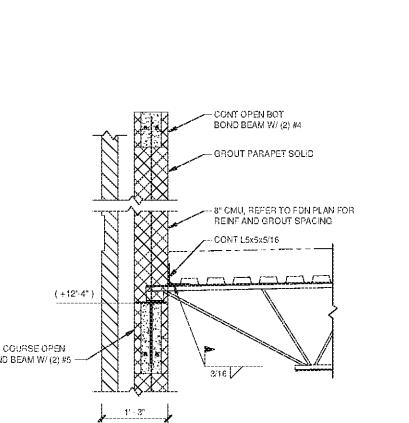
6 SECTION
S2.1.1 | S4.1.1 | 3/4" - 1'-0"



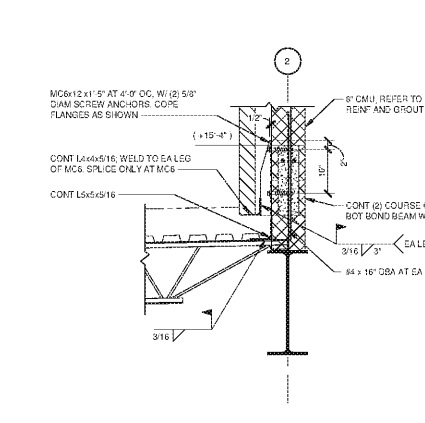
10 SECTION
S2.1.1 | S4.1.1 | 3/4" - 1'-0"



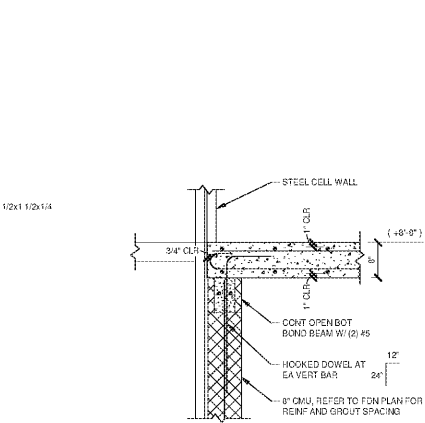
14 SECTION
S2.1.1 | S4.1.1 | 3/4" - 1'-0"



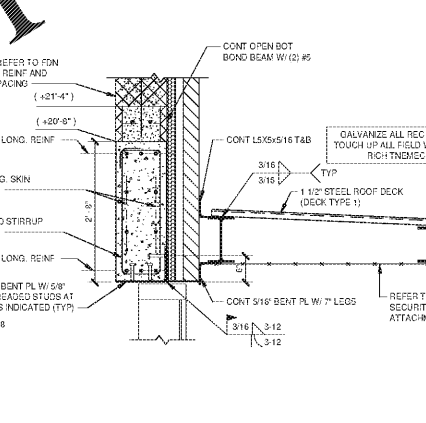
1 SECTION
S2.1.1 | S4.1.1 | 3/4" - 1'-0"



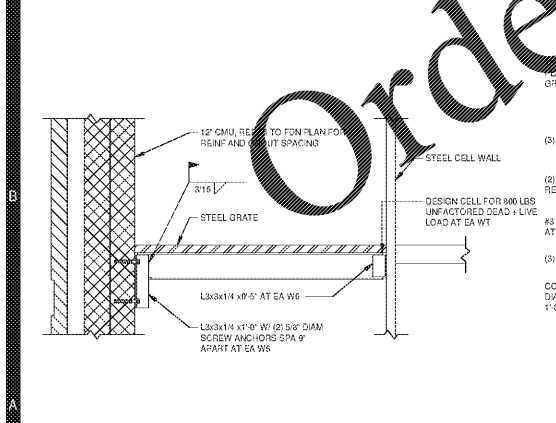
5 SECTION
S2.1.1 | S4.1.1 | 3/4" - 1'-0"



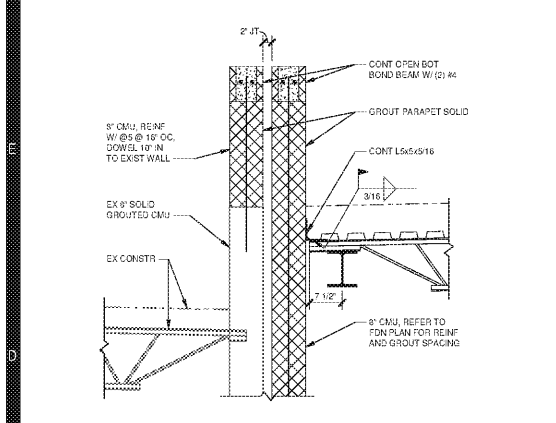
9 SECTION
S2.1.1 | S4.1.1 | 3/4" - 1'-0"



13 SECTION
S2.1.1 | S4.1.1 | 3/4" - 1'-0"



17 SECTION
S2.1.1 | S4.1.1 | 3/4" - 1'-0"



18 SECTION
S2.1.1 | S4.1.1 | 3/4" - 1'-0"

Order Plans

WWW.LDILine.com