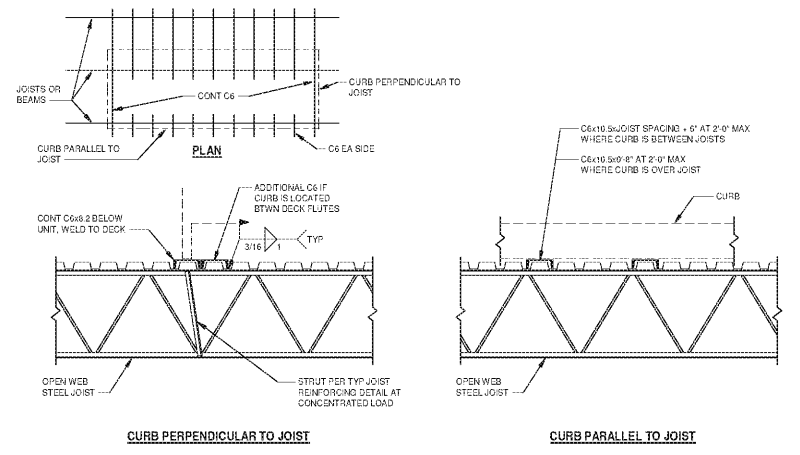
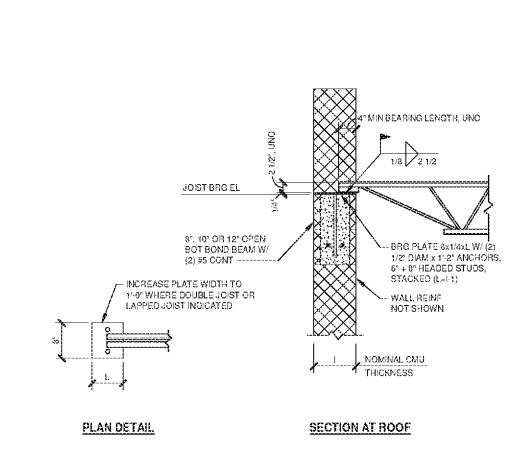




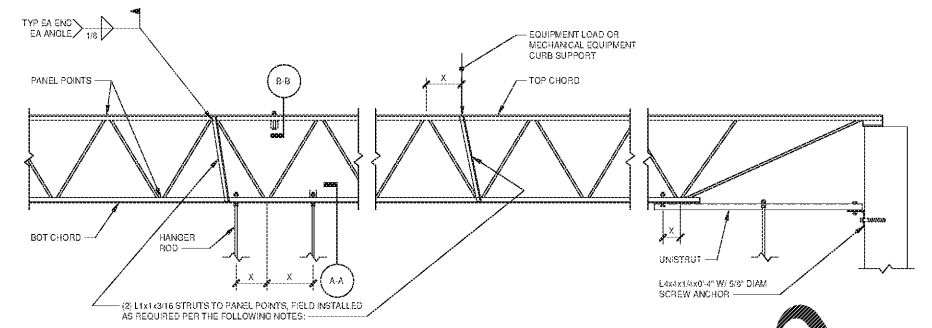
DATE	REVISIONS
PROJECT NO: 591492	DATE: OCTOBER 30, 2020
DATE	DESCRIPTION



CURB SUPPORT DETAILS

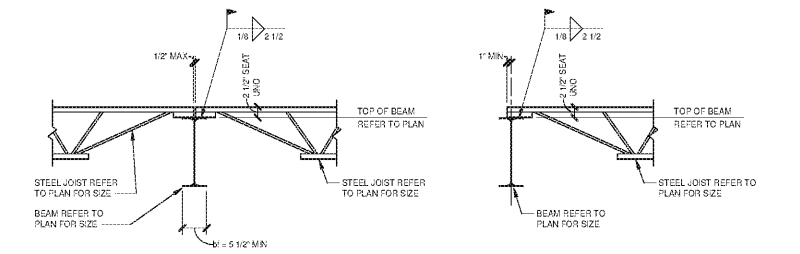


TYPICAL K SERIES STEEL JOIST ANCHORAGE DETAILS AT CMU WALLS

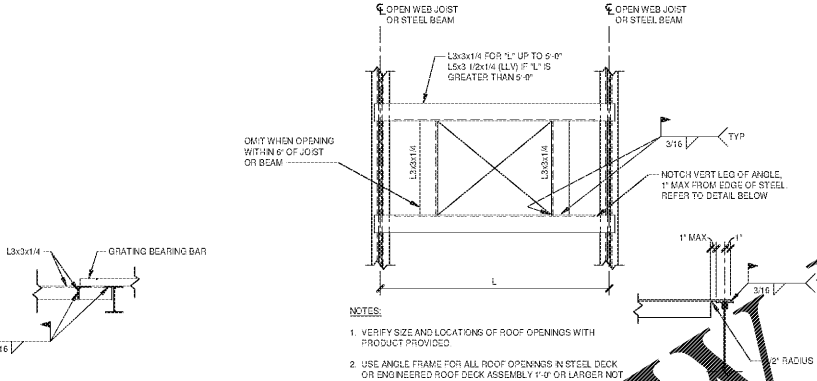


- K SERIES JOISTS:**
- WHERE UTILITIES RUN PARALLEL TO JOISTS, INDIVIDUAL HANGERS SHALL BE SPACED SUCH THAT HANGER LOAD (IF DIRECTLY BELOW JOIST), OR UNISTRUT REACTION (IF PIPE IS BETWEEN JOISTS) DOES NOT EXCEED 200 LBS.
 - WHERE UTILITIES RUN PERPENDICULAR TO JOISTS, INDIVIDUAL HANGERS SHALL BE SPACED SUCH THAT HANGER LOAD DOES NOT EXCEED 200 LBS.
 - IF INDIVIDUAL HANGER LOAD EXCEEDS 200 LBS ON ANY JOIST, AND DIMENSION 'X' EXCEEDS 6', STRUTS SHALL BE INSTALLED AS INDICATED ABOVE.
 - WHERE MULTIPLE HANGERS ARE LOCATED BETWEEN PANEL POINTS, THE CUMULATIVE LOAD SHALL NOT EXCEED 200 LBS.
- KCS AND LK SERIES JOISTS:**
- WHERE UTILITIES RUN PARALLEL TO JOISTS, INDIVIDUAL HANGERS SHALL BE SPACED SUCH THAT HANGER LOAD (IF DIRECTLY BELOW JOIST), OR UNISTRUT REACTION (IF PIPE IS BETWEEN JOISTS) DOES NOT EXCEED 500 LBS.
 - WHERE UTILITIES RUN PERPENDICULAR TO JOISTS, INDIVIDUAL HANGERS SHALL BE SPACED SUCH THAT HANGER LOAD DOES NOT EXCEED 500 LBS, OR HANGER SHALL BE LOCATED AT EA JOIST.
 - IF INDIVIDUAL HANGER LOAD EXCEEDS 500 LBS ON ANY JOIST, AND DIMENSION 'X' EXCEEDS 6', STRUTS SHALL BE INSTALLED AS INDICATED ABOVE.
 - WHERE MULTIPLE HANGERS ARE LOCATED BETWEEN PANEL POINTS, THE CUMULATIVE LOAD SHALL NOT EXCEED 500 LBS.
- GENERAL:**
- C-CLAMPS SHALL NOT BE USED WHERE HANGER LOAD EXCEEDS 50 LBS.
 - REFER TO DRAWING 30.6 FOR C-CLAMP JOIST NOTES.

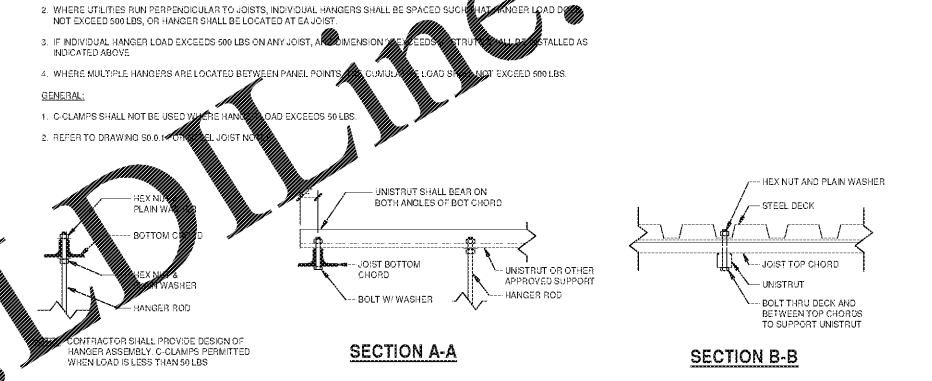
NOTE: THE GENERAL CONTRACTOR SHALL COORDINATE THESE REQUIREMENTS FOR HANGER SIZE AND LOCATION WITH MECHANICAL, ELECTRICAL, AND PLUMBING TRADES IN ORDER TO ENSURE THAT THE JOISTS ARE NOT OVERLOADED FOR THE BID PROJECT. EVEN IN THE EVENT THE GENERAL CONTRACTOR SHALL BE RESPONSIBLE FOR THE INSTALLATION OF THE HANGERS, THE CONTRACTOR SHALL COORDINATE WITH THE MECHANICAL, ELECTRICAL, AND PLUMBING TRADES WHERE THE HANGER LOADS EXCEEDS THE MAXIMUM HANGER LOADS INDICATED IN THIS DETAIL. THE NUMBER OF JOIST REINFORCING STRUTS WILL BE MINIMIZED.



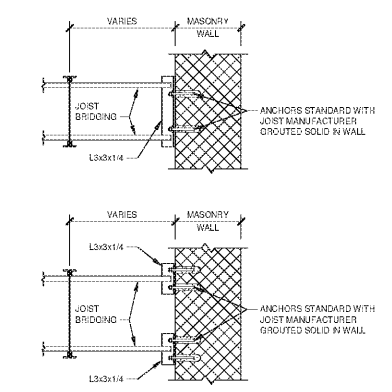
CONNECTION OF K SERIES STEEL JOIST TO STEEL BEAM



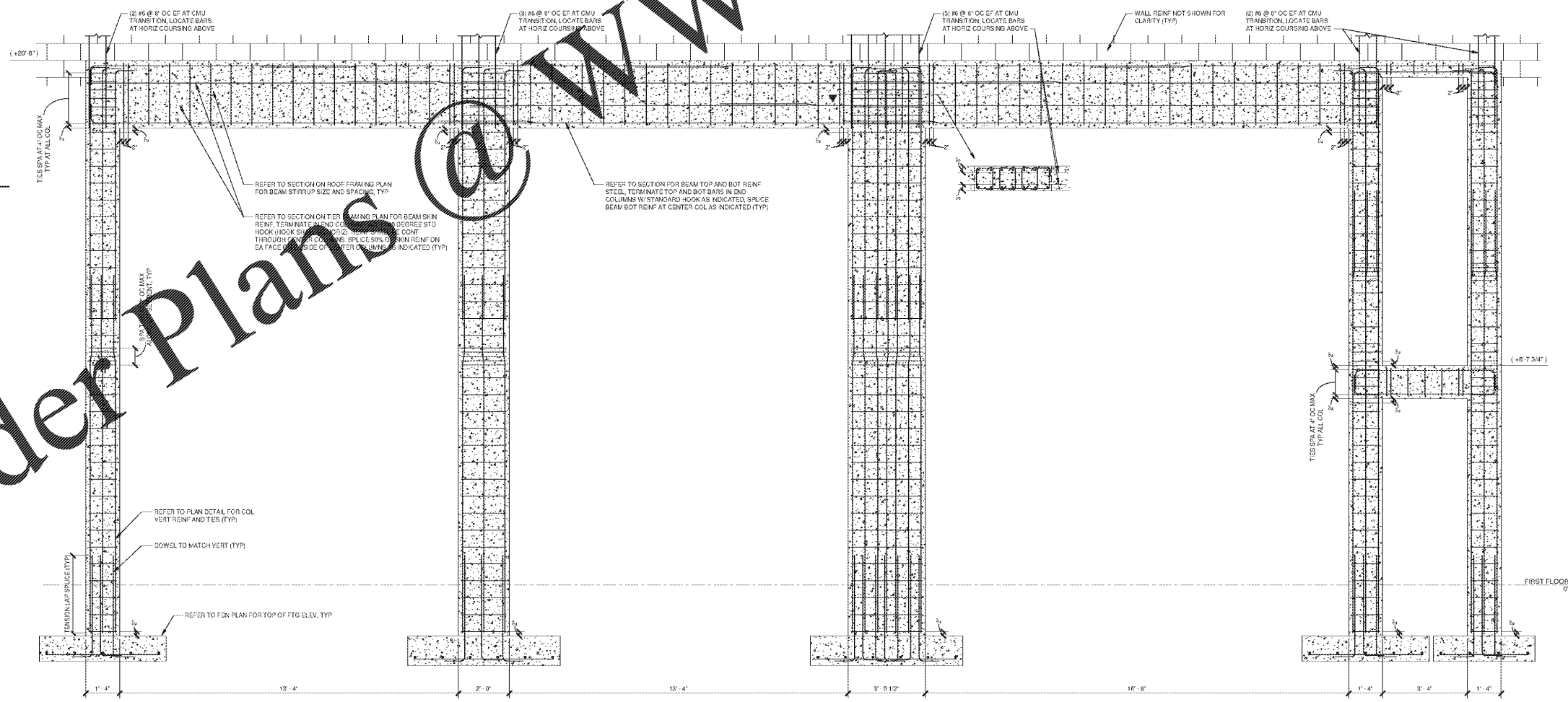
STEEL GRATING OPENING SUPPORT DETAIL



TYPICAL LOAD SUPPORTED FROM JOIST DETAIL



K SERIES STEEL JOIST BRIDGING ANCHORAGE



1 REC YARD FRAME ELEVATION

Order Plans @ www.lidilne.com