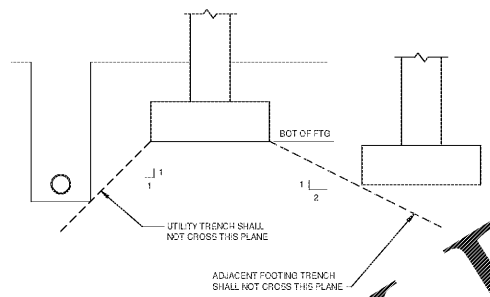
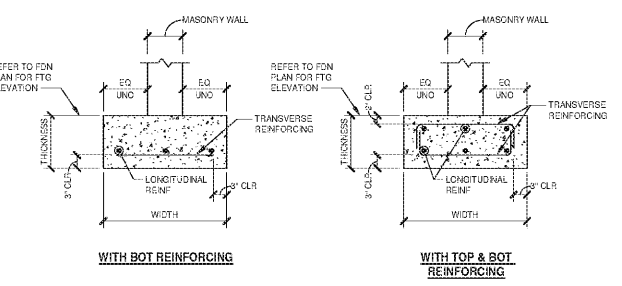


WALL FOOTING DETAILS
NO SCALE

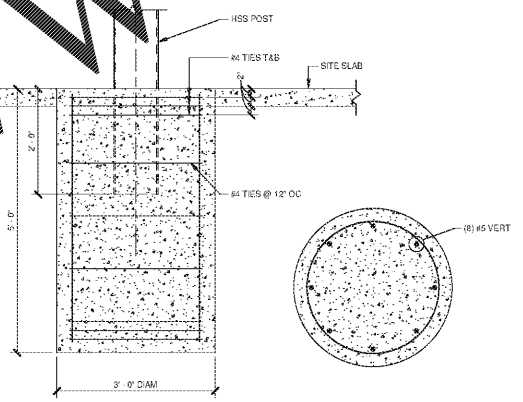


TRENCH LOCATION DETAIL
NO SCALE

MARK	WIDTH	THICKNESS	REINFORCING (BOT. UNO)	
			LONGITUDINAL	TRANSVERSE
WF2.0	2'-0"	1'-0"	(3) #5 CONT	#5 @ 12" OC
WF2.5	2'-0"	1'-0"	(3) #5 CONT	#5 @ 12" OC
WF3.0	3'-0"	1'-0"	(3) #5 CONT	#5 @ 12" OC
WF4.0	4'-0"	1'-0"	(4) #5 CONT	#5 @ 12" OC
WF5.0	5'-0"	1'-0"	(6) #5 CONT, 1&B	#5 @ 12" OC, 1&B

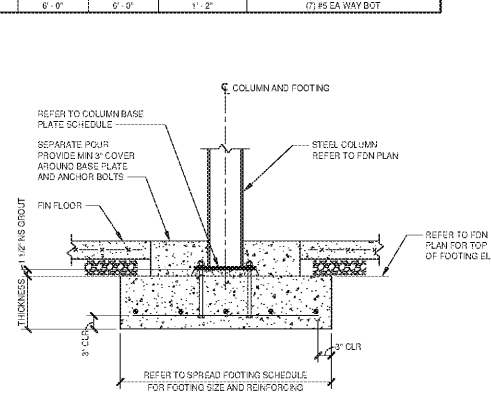


WALL FOOTING DETAILS
NO SCALE



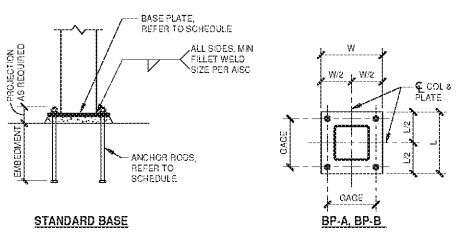
STEEL POST CYLINDRICAL FOOTING DETAIL
NO SCALE

MARK	SIZE			REINFORCING
	LENGTH	WIDTH	THICKNESS	
3.0	3'-0"	3'-0"	1'-0"	(4) #5 EA WAY BOT
4.0	4'-0"	4'-0"	1'-0"	(6) #5 EA WAY BOT
5.0	5'-0"	5'-0"	1'-0"	(5) #5 EA WAY BOT
6.0	6'-0"	6'-0"	1'-2"	(7) #5 EA WAY BOT



STEEL COLUMN FOOTING DETAILS
NO SCALE

MARK	BASE PLATE SIZE			HEADED ANCHOR RODS	
	L	W	T	SIZE	EMBED
BP-A	1'-1"	1'-1"	3/4"	(4) 3/4" DIAM	8"
BP-B	1'-0"	1'-0"	1/2"	(4) 5/8" DIAM	9"



COLUMN BASE PLATE DETAILS
NO SCALE

Order Plans @ www.LDILine.com

MOSELEYARCHITECTS

6210 ARDREY KELL ROAD - THE HUB AT WAVERLY, SUITE 405 - CHARLOTTE, NC 28277
PHONE (704) 540-3755 FAX (704) 540-3754
MOSELEYARCHITECTS.COM



MARION COUNTY LEC
591492
MARION COUNTY
2715 EAST HWY 76, MULLINS, SC 29574

DATE	REVISIONS
PROJECT NO: 591492	DATE: OCTOBER 30, 2020
DATE	DESCRIPTION

TYPICAL FOUNDATION DETAILS

S3.0.1