

FLOOR PLAN KEYNOTES

REPRESENTED BY [A]
 APPLIES TO DRAWINGS A7.1.1

- STACKABLE INMATE BED - OWNER PROVIDED
- METAL ACCESS LADDER
- EXAM TABLE - BY OWNER
- DRYER RELOCATED BY GC - COORDINATE WITH OWNER
- WASHER RELOCATED BY GC - COORDINATE WITH OWNER
- EXISTING CASEWORK TO REMAIN TO PROVIDE TEMPORARY PROTECTION DURING CONSTRUCTION
- STAINLESS STEEL ROLLING SHELVING BY OWNER
- STAINLESS STEEL WORKTABLE BY OWNER

REPRESENTED BY [A] **DETENTION EQUIPMENT SCHEDULE**

NO	DESCRIPTION	MOUNTING HEIGHT	DETAIL	NOTES
D1	DETENTION BUNK - SINGLE - WALL MOUNTED	15" TOP OF PAN	11/A7.4.1	PROVIDED BY CELL MODULE MFR
D2	DETENTION BUNK - DOUBLE - WALL MOUNTED	BOTTOM BUNK: 15" TOP BUNK: 50" TOP OF PAN	11/A7.4.1	PROVIDED BY CELL MODULE MFR
D3	DETENTION SHOWER CURTAIN	-	19/A7.4.1	PROVIDED BY CELL MODULE MFR
D4	3-SEAT TABLE ADA	FLOOR MOUNTED	2/A7.4.1	
D5	4-SEAT TABLE	FLOOR MOUNTED	1/A7.4.1	
D6	RECESSED TOILET PAPER ROLL HOLDER	2'-0" AFF TO CENTERLINE	12/A7.4.1	
D7	HOPPER PASS	REFER TO DETAIL	19/A7.4.1	
D8	DETENTION MIRROR-DOUBLE	REFER TO DETAIL	5/A7.4.1	
D9	DETENTION MIRROR-SINGLE	REFER TO DETAIL	4/A7.4.1	
D11	KEY CABINET	WALL MOUNTED	-	
D12	STEP FOR UPPER BUNK	WALL MOUNTED	-	
D13	GRAB BAR - ANTI-LIGATURE 42"	REFER TO DETAIL	12/A7.4.1	PROVIDED BY CELL MODULE MFR
D14	18" VERTICAL GRAB BAR - ANTI-LIGATURE	REFER TO WATER CLOSET ELEVATIONS	-	
D16	RECESSED TOILET PAPER ROLL HOLDER - STEEL CELL	WALL MOUNTED	-	PROVIDED BY CELL MODULE MFR
D17	CELL WORK SURFACE	WALL MOUNTED	9/7.4.1	PROVIDED BY CELL MODULE MFR
D18	CELL SEAT	WALL MOUNTED	7/A7.4.1	PROVIDED BY CELL MODULE MFR
D20	DETENTION BUNK - DOUBLE - FLOOR MOUNTED	FLOOR MOUNTED	7/A7.4.1	
D21	DETENTION BUNK - SINGLE - FLOOR MOUNTED	FLOOR MOUNTED	7/A7.4.1	

TOILET ASSEMBLIES, SCHEDULE AND ENLARGED PLAN GENERAL NOTES

A. PLAN DIMENSIONS ARE TO FACE OF WALL OR PARTITION. WHERE APPLIED FINISHES OCCUR SUCH AS CERAMIC TILE, DIMENSIONS ARE TO FACE OF APPLIED FINISH. FOR WAINSCOTS, FLOOR PLAN DIMENSIONS ARE TO FACE OF WAINSCOT MATERIAL. APPLIED FINISHES ARE NOT ALLOWED TO REDUCE CLEAR DIMENSIONS. *APPLIED FINISHES* IN THIS CASE DO NOT INCLUDE TRIM, BASE, AND ACOUSTIC WALL PANELS.
 B. CLEAR DIMENSIONS ARE TO FACE OF APPLIED WALL AND PARTITION FINISHES.

LAUNDRY EQUIPMENT SCHEDULE AND NOTES

- E1 WASHING MACHINE - REFER TO DIVISION 11 - COMMERCIAL LAUNDRY EQUIPMENT
- E2 DRYER - REFER TO DIVISION 11 - COMMERCIAL LAUNDRY EQUIPMENT

TOILET ASSEMBLIES

APPLIES TO DRAWINGS A7.1.1
 REPRESENTED BY [TA]

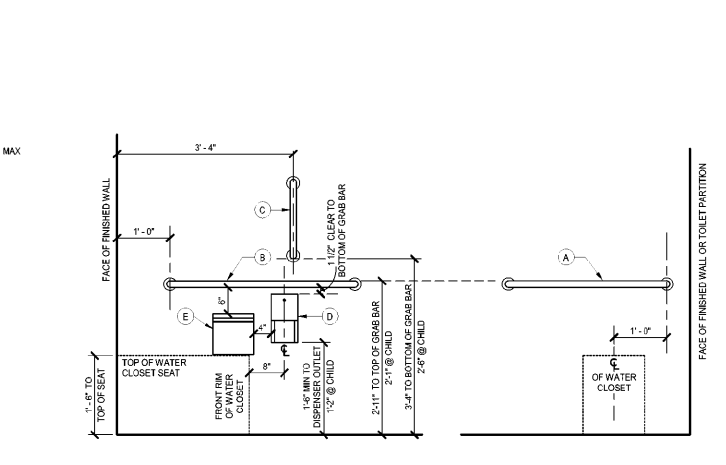
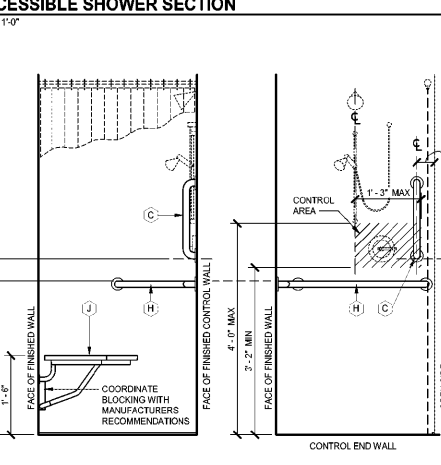
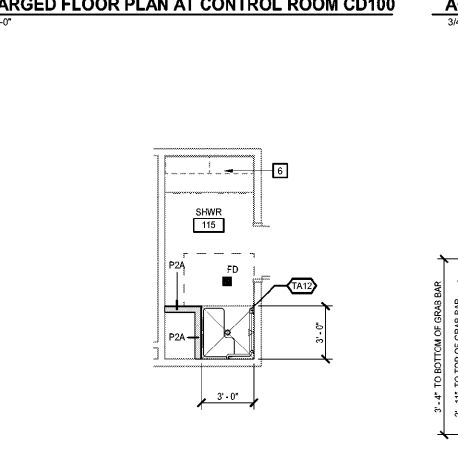
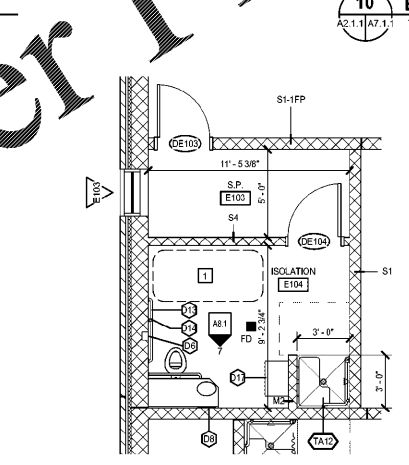
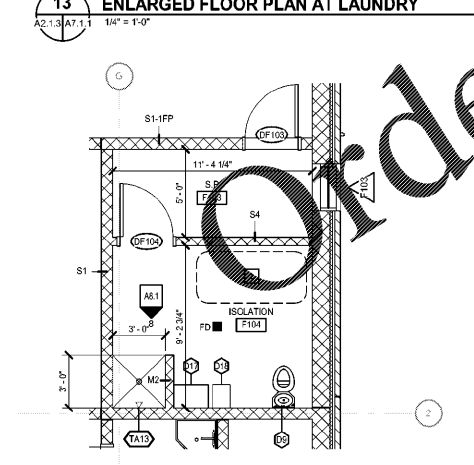
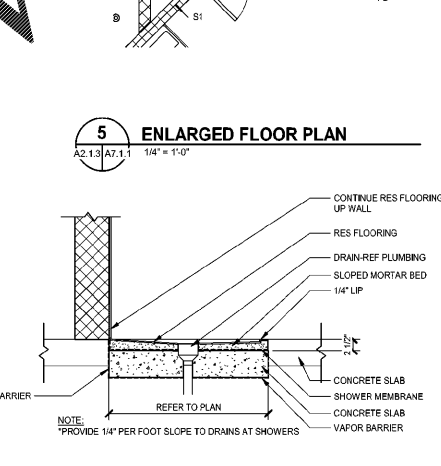
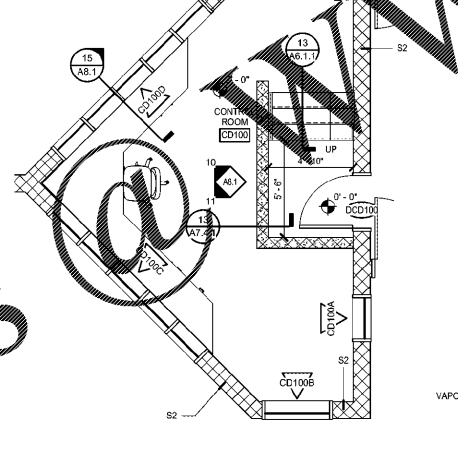
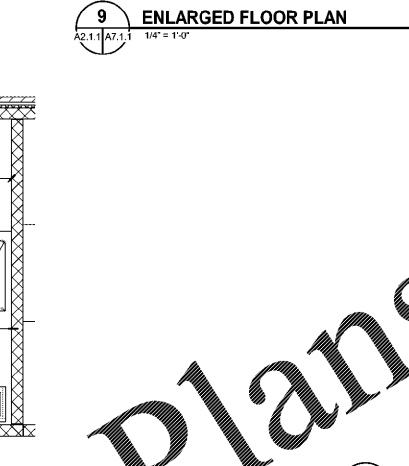
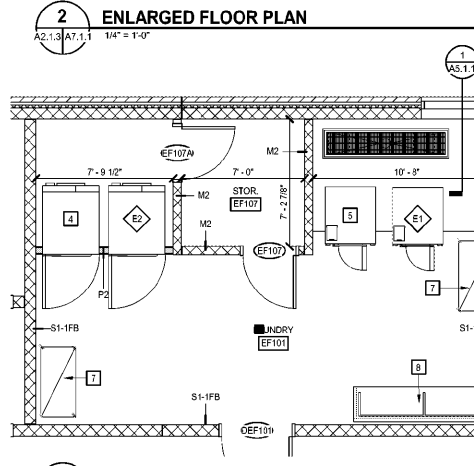
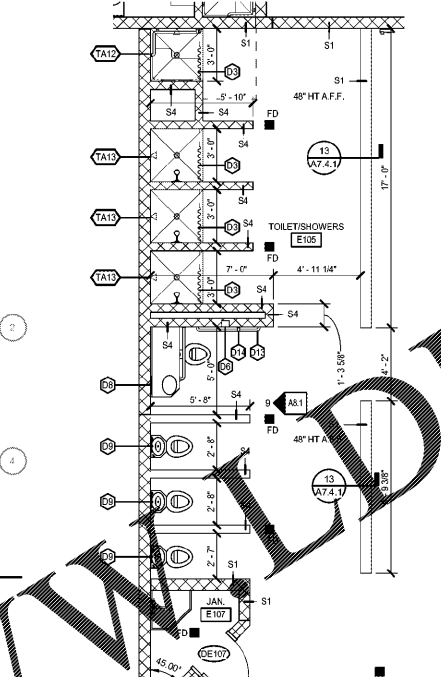
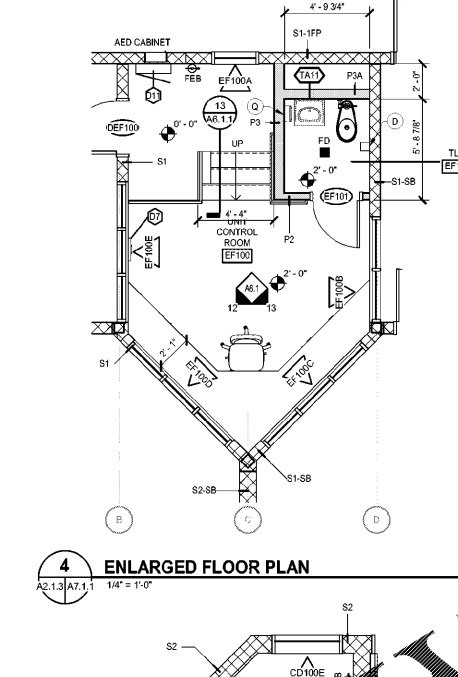
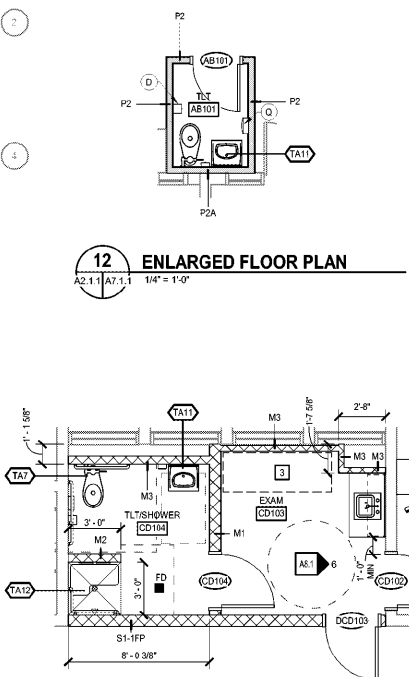
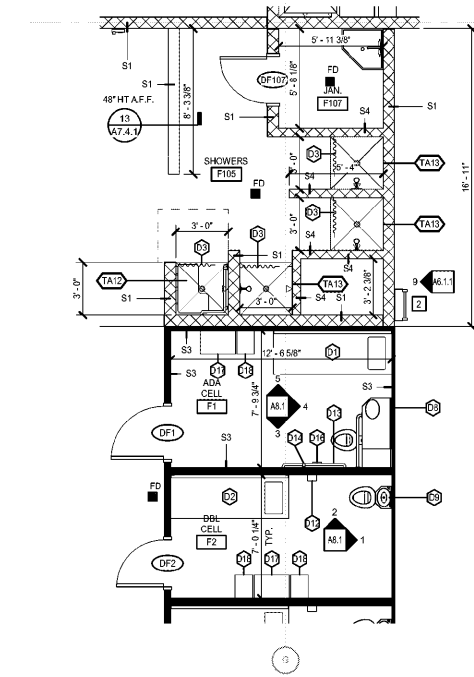
MARK	REMARKS	PLAN	MARK	REMARKS	PLAN
TA1			TA10		
TA2	OMIT (E)		TA11	CENTER OVER LAVATORY	
TA3			TA12		
TA4	OMIT (E)		TA13	OMIT (C, N, J)	
TA5			TA14		
TA6	OMIT (E)		TA15		
TA7					
TA8	OMIT (E)				
TA9					

LEGEND NOTES:
 A. HANDING/ORIENTATION MAY VARY. REFER TO PLANS FOR PROPER ORIENTATION.
 B. PLUMBING FIXTURE GRAPHICS IN THIS LEGEND ARE REPRESENTATIVE ONLY. ACTUAL PLUMBING FIXTURES MAY VARY.
 C. COATROBE HOOKS INDICATED ON THE BACK OF TOILET COMPARTMENT DOORS ARE PART OF THE TOILET COMPARTMENT ASSEMBLY AND ARE NOT CONSIDERED A TOILET ACCESSORY.

TOILET ACCESSORIES SCHEDULE

MARK	DESCRIPTION	MOUNTING HEIGHT	REMARKS
A	36" HORIZONTAL GRAB BAR	REFER TO WATER CLOSET ELEVATIONS	
B	42" HORIZONTAL GRAB BAR	REFER TO WATER CLOSET ELEVATIONS	
C	18" VERTICAL GRAB BAR	REFER TO WATER CLOSET ELEVATIONS	
D	TOILET TISSUE DISPENSER	REFER TO WATER CLOSET ELEVATIONS	
E	SANITARY NAPKIN DISPOSAL	REFER TO WATER CLOSET ELEVATIONS	
F	SOAP DISPENSER	3'-4" AFF TO DISPENSING OUTLET	
G	MIRROR (18" x 36"), OVER LAV AND COUNTERTOP	3'-4" AFF TO BOTTOM OF REFLECTIVE SURFACE	
H	GRAB BAR ASSEMBLY	REFER TO SHOWER ELEVATIONS	
I	L-SHAPED FOLDING SHOWER SEAT	1'-6" TO SEAT SURFACE	
J	PAPER TOWEL DISPENSER	1'-6" AFF TO DISPENSING OUTLET	

- ACCESSORY ITEMS ARE IDENTIFIED BY [] ON PLANS. LETTERS CORRESPOND TO SCHEDULE ABOVE.
- ACTUAL DIMENSIONS OF ACCESSORIES MAY VARY. COORDINATE DIFFERENCES, IF ANY.
- REFER TO ALL CASEWORK ELEVATIONS FOR ADDITIONAL TOILET ACCESSORY LOCATIONS.
- PROVIDE MOP AND BROOM HOLDER W/ SHELF [] AT ALL CUSTODIAL/JANITORIAL SIKS. MOUNT AT 5'-0" AFF TO CENTERLINE AND LOCATE ON SIDE WALL OF SINK (NOT ON WALL ABOVE FAUCET).
- PROVIDE ROBE HOOK ON INTERIOR FACE OF ALL TOILET ROOM DOORS WHEREIN ONLY ONE WATER CLOSET IS PROVIDED. MOUNT AT 3'-11" AFF TO TOP.



MOSELEY ARCHITECTS
 6210 ARDREY HILL ROAD • THE HUB AT WAVERLY, SUITE 425 • CHARLOTTE, NC 28277
 PHONE (704) 540-3750 FAX (704) 540-3754
 MOSELEYARCHITECTS.COM



MARION COUNTY LEC
 591492
 MARION COUNTY
 2715 EAST HWY 76, MULLINS, SC 29574

DATE	REVISIONS	DESCRIPTION

TOILET ASSEMBLIES,
 SCHEDULE AND
 ENLARGED PLANS

A7.1.1