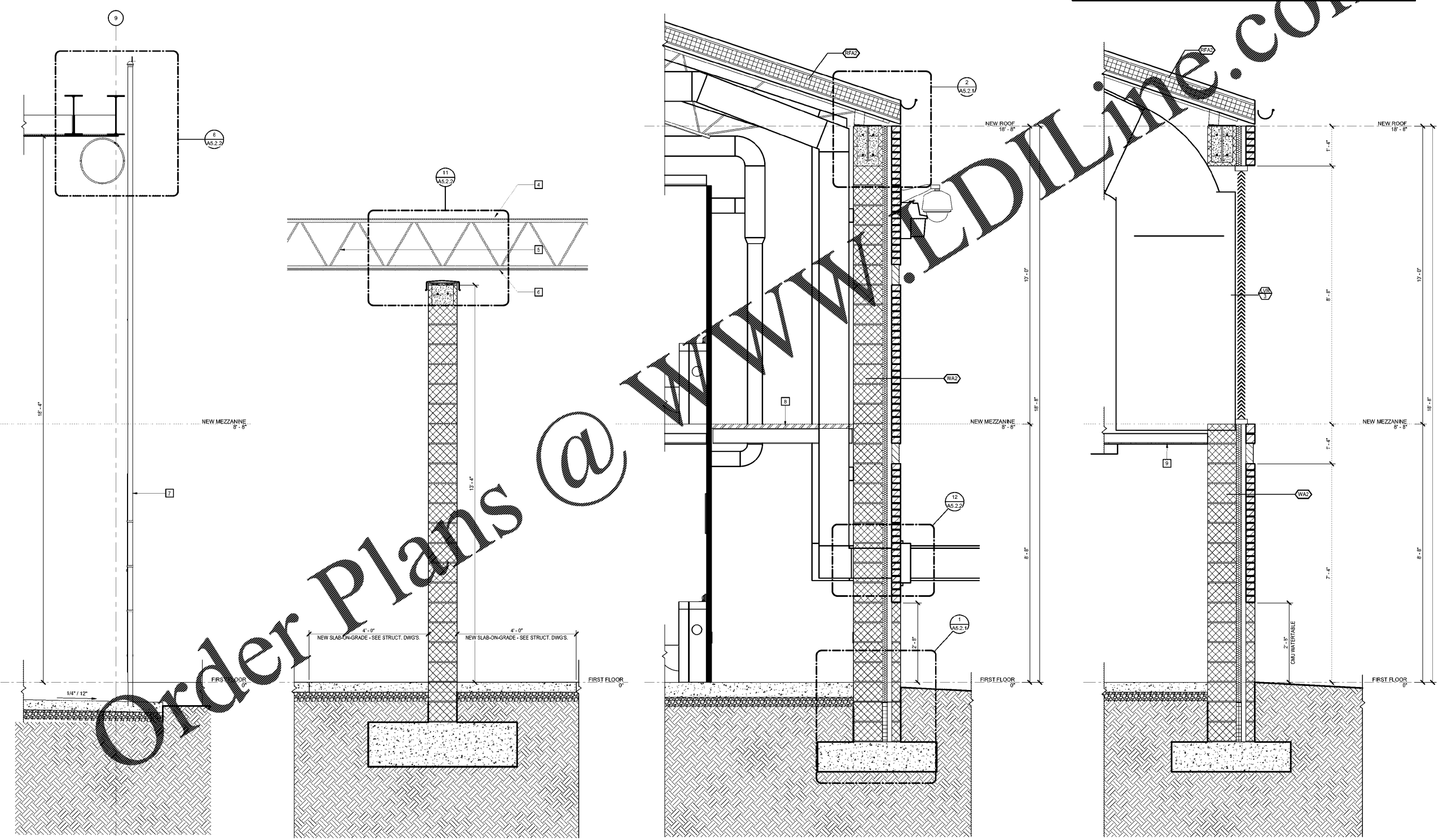


WALL SECTION KEYNOTES	
REPRESENTED BY [A]	
APPLIES TO DRAWINGS A5.1.1 - A5.1.3	
1	ALUMINUM COPING
2	ROOF CROSS-OVER LADDER
3	OVERFLOW SCUPPER
4	EXISTING SECURITY SCREENING
5	EXISTING STEEL JOIST
6	EXISTING CHAIN LINK FENCING
7	PROVIDE PRIVACY SLATS AT CHAINLINK FENCING
8	CHASE ACCESS WALKWAY
9	GWB SECURITY CEILING - REFER TO REFLECTED CEILING PLANS
10	BRICK SOLDIER COURSE



**4 WALL SECTION**  
A2.1.3 A5.1.3 3/4" = 1'-0"

**3 WALL SECTION**  
A2.1.1 A5.1.3 3/4" = 1'-0"

**2 WALL SECTION**  
A2.1.3 A5.1.3 3/4" = 1'-0"

**1 WALL SECTION**  
A2.1.3 A5.1.3 3/4" = 1'-0"

**MOSELEYARCHITECTS**



6210 ARDREY HELL ROAD • THE HUB AT WAVERLY, SUITE 425 • CHARLOTTE, NC 28277  
PHONE (704) 540-3755 FAX (704) 540-3754  
MOSELEYARCHITECTS.COM

**MARION COUNTY LEC**

591492  
MARION COUNTY  
2715 EAST HWY 76, MULLINS, SC 29574

DATE	REVISIONS
10/30/2020	PROJECT NO: 591492
	DATE: OCTOBER 30 2020
	DESCRIPTION:

WALL SECTIONS

**A5.1.3**

1/12/2020 8:10:48 AM