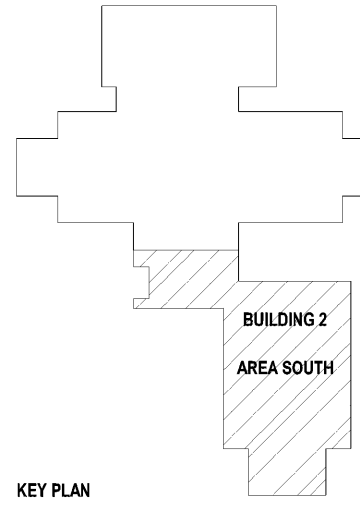
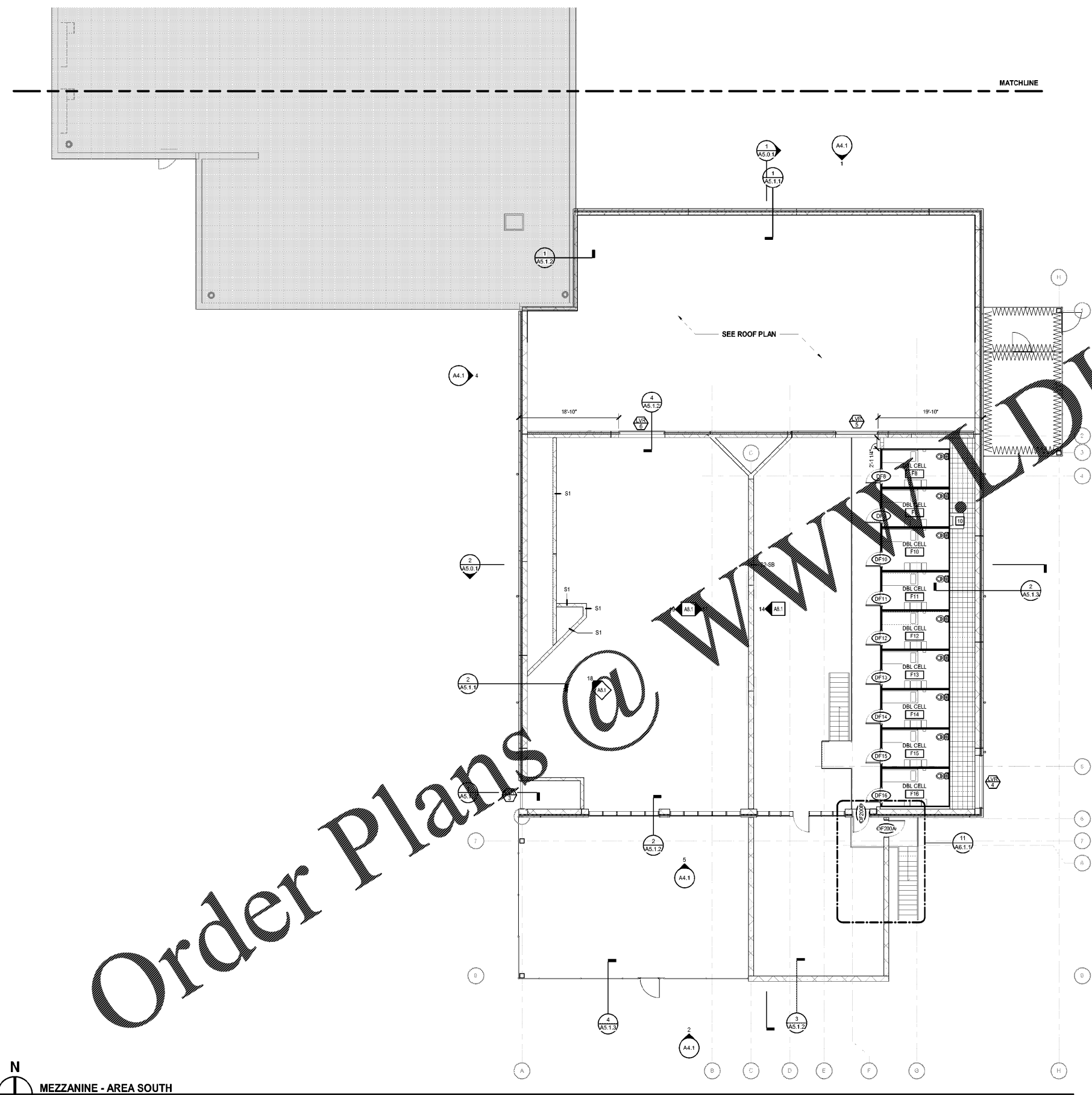


1/12/2020 8:10:25 AM

N  
MEZZANINE - AREA SOUTH  
1/8" = 1'-0"



DATE	REVISIONS	DESCRIPTION
10/20/20	1	ISSUED FOR PERMIT

MEZZANINE PLAN - SOUTH

A2.1.4

MARION COUNTY LEC  
591492  
MARION COUNTY  
2715 EAST HWY 76, MULLINS, SC 29574



MOSELEYARCHITECTS  
6210 ARDREY HILL ROAD • THE HUB AT WAVERLY, SUITE 425 • CHARLOTTE, NC 28277  
PHONE (704) 540-3755 FAX (704) 540-3754  
MOSELEYARCHITECTS.COM