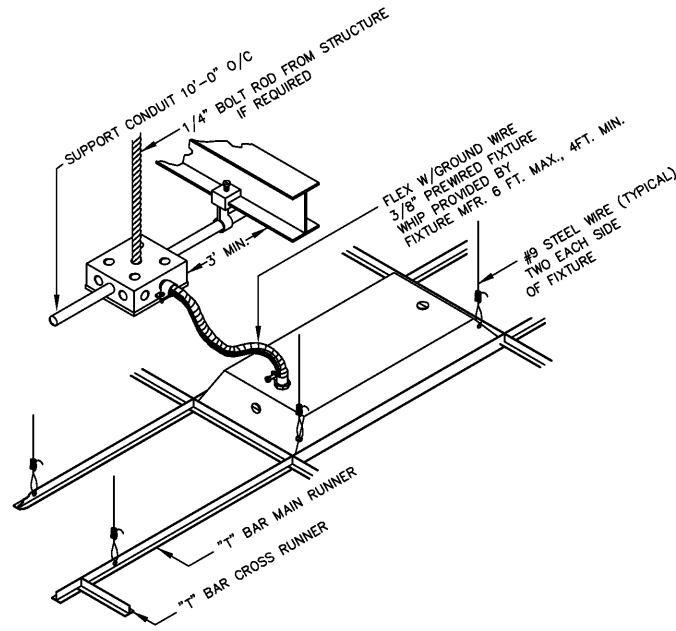


LIGHTING FIXTURE SCHEDULE								
TYPE	DESCRIPTION	MOUNT	VOLTAGE	LAMP QTY	LAMP WATTAGE/TYPE	MANUFACTURER	CATALOG NUMBER	NOTES
P	15" CEILING LED, 8840 LUMENS	SURFACE	120		29W LED 3000K	WAC LIGHTING	FR-4615-30 TT	
T	TRACK LED, LENGTH AND QUANTITY OF HEADS AS SHOWN ON DRAWING, 1226 LUMENS	RECESSED	120		20W LED 3000K		SELECTED BY OWNER	
	EMERGENCY BATTERY PACK	WALL	120		FURN WITH UNIT	PHILIPS CHLORIDE	VUGL	
	EXIT SIGN, LED POLYCARBONATE BODY, REG LETTERING WITH CHEVRON ARROWS AS SHOWN WITH INTEGRAL BATTERY BACK-UP	CEILING/WALL	120		FURN WITH UNIT		EXISTING TO REMAIN	

NOTES:
1. PROVIDE WITH 90 MINUTE BATTERY BACKUP WHERE INDICATED ON DRAWINGS. LINEAR FIXTURES SHALL HAVE 500 LUMEN INVERTER. DOWNLIGHTS SHALL HAVE INTEGRAL TEST SWITCH.



1 LAY-IN FIXTURE DETAIL
E0.00 SCALE: NTS

PANELBOARD SCHEDULE - 'R' 0															
DAY #	TRIP POLE	DESCRIPTION	LOAD (KVA)				PHASE 3 WIRE: 4				MOUNTING SURFACE	A/E EXISTING	DAY #		
			LTG	REC	MFR	A/C HTG	LTG	REC	MFR	A/C HTG					
1	80/2	FC-1			4.4					1.7			20/3	2	
2					4.8					1.7				4	
5	20/1	LIGHTING/RECEPTACLES										0.5	FIRE ALARM	20/1	
7	20/1	LIGHTING/RECEPTACLES										0.5	WORKSTATION/DOCK RECESSED	20/1	
9	20/1	LIGHTING/RECEPTACLES										0.5	RETAIL DISPLAY	20/1	
11	20/1	LIGHTING/RECEPTACLES										0.5	MIRR FRIDGE	20/1	
13	20/1	WATER HEATER										0.5	SPACE	20/1	
15	20/1	BATHROOM RECEPTACLES										0.5	SPACE	20/1	
17	20/1	OPEN SIGN RECEPTACLE			0.5							0.5	SPACE	20/1	
19		SPACE										0.5	PULSE TV & ANTENNAS	20/1	
21	20/1	RECEPTACLES										0.1	TRACK LIGHTING	20/1	
23	20/1	WINDOW RECEPTACLES			0.5							0.2	TRACK LIGHTING	20/1	
25	20/1	SIGN & TIME CLOCK										0.2	TRACK LIGHTING	20/1	
27	20/1	CEILING TRANSFORMER			0.5							0.5	SPACE	20/1	
29	20/1	CEILING TRANSFORMER			0.5							0.5	SPACE	20/1	
LIGHTING (KVA):			1.6	0.5	1.0	0.5	0.0	0.0	0.0	0.5	2.7	0.0	5.1	0.0	0.5
RECEPTACLES (KVA):															
MOTORS (KVA):															
A/C (KVA):															
HEATING (KVA):															
KITCHEN (KVA):															
MISCELLANEOUS (KVA):															55.1

KEYNOTES:
1. EXISTING PANEL TO REMAIN. PROVIDE CIRCUIT BREAKERS AS REQUIRED. FIELD VERIFY EXACT REQUIREMENTS.
2. EXISTING LOAD TO REMAIN. FIELD VERIFY EXACT REQUIREMENTS.
3. PROVIDE NEW CIRCUIT BREAKER IN EXISTING PANEL TO ACCOMMODATE NEW LOAD.

DEVICE PLATE NOTE
ALL COVERPLATES SHALL BE NYLON WITH BLACK FINISH PER ARCHITECT. ALL DEVICES (SWITCHES, RECEPTACLES, ETC) SHALL BE BLACK FINISH BY ARCHITECT (UON). COORDINATE WITH ARCHITECTURAL PLANS.

LIGHTING CONTROL COMMISSIONING:
COMMISSION ALL AUTOMATIC LIGHTING CONTROLS IN ACCORDANCE WITH THE 2015 IECC ENERGY CODE. COORDINATE TESTING WITH LIGHTING CONTROLS SUPPLIER.

GENERAL ELECTRICAL NOTES:

- FOR EXACT LOCATION OF EQUIPMENT MOUNTED IN SUSPENDED CEILINGS, SUCH AS LIGHTING FIXTURES, AND SMOKE DETECTORS, SEE ARCHITECTURAL REFLECTED CEILING PLANS. ARCHITECTURAL REFLECTED PLAN SHALL GOVERN FINAL LOCATION.
- PRIOR TO ROUGH-IN, CONTRACTOR SHALL COORDINATE EXACT LOCATION OF ALL WIRING DEVICE WITH ARCHITECTURAL ELEVATION TO AVOID CONFLICTS WITH CASWORK, COUNTER TOPS, DOOR SWINGS, ETC. WHERE CONFLICTS OCCUR, CONTRACTOR SHALL CONTACT THE ARCHITECT IN WRITING FOR RESOLUTION.
- ALL MOUNTING HEIGHT DIMENSIONS ARE TO THE CENTER OF THE OUTLET BOX UNLESS OTHERWISE NOTED.
- FOR EXACT LOCATION OF ALL EXTERIOR LIGHTING FIXTURES MOUNTED ON EXTERIOR OF BUILDING, ARCHITECTURAL ELEVATIONS SHALL GOVERN.
- PRIOR TO ROUGH-IN FOR ALL LIGHTING SWITCHES, VERIFY ALL DOOR SWINGS WITH ARCHITECTURAL PLANS.
- THE CONTRACTOR SHALL USE CARE WHEN CUTTING OPENINGS FOR OUTLET BOXES IN CMU WALLS. OUTLET BOXES SHALL BE INSTALLED IN CMU WALLS SECURELY WITH EPOXY.
- THE CONTRACTOR IS RESPONSIBLE FOR COORDINATING OUTLET BOX INSTALLATION WITH WALL FINISH (GYPSUM FURRING, TILE, ETC). THE CONTRACTOR SHALL PROVIDE AND INSTALL ANY EXTENSION RINGS NECESSARY TO ACCOMMODATE WALL FINISHES.
- ALIGN VERTICALLY AND HORIZONTALLY ALL LIGHT SWITCHES, THERMOSTATS, FIRE ALARM PULL STATIONS, ETC. ALL THESE ITEMS SHALL BE CLUSTERED WHERE POSSIBLE. COORDINATE EXACT REQUIREMENTS WITH ARCHITECT.
- COORDINATE MOUNTING OF ALL EXTERIOR DISCONNECT WITH ARCHITECTURAL ELEVATIONS. IF NOT INDICATED ON ARCHITECTURAL ELEVATIONS, REQUEST ELEVATIONS OF DISCONNECT SWITCHES FROM ARCHITECT IN WRITING PRIOR TO ROUGH-IN.
- ALL CONDUITS FOR LOW VOLTAGE OUTLETS SHALL BE DEDICATED TO A SINGLE BOX. NO DAISY CHAINING OR SHARING OF CONDUITS BETWEEN LOW VOLTAGE OUTLET BOXES IS PERMITTED UNLESS SPECIFICALLY INDICATED ON THE DRAWINGS.
- PROVIDE FIELD IDENTIFICATION PER NEC 408.4. ADDITIONALLY, EACH SWITCH, RECEPTACLE, DISCONNECT SHALL HAVE A LABEL WITH SPECIFIC PANEL AND CIRCUIT NUMBER.

GENERAL ELECTRICAL DEMOLITION NOTES:

- ELECTRICAL CONTRACTOR SHALL REMOVE DEVICES ON WALLS TO BE REMOVED AND AS DIRECTED BY ARCHITECT.
- ELECTRICAL CONTRACTOR SHALL REMOVE ALL ASSOCIATED WIRING, CONDUIT, SURFACE RACEWAY, ETC. FOR DEVICES/LOADS BEING REMOVED. ITEMS REMOVED SHALL BECOME PROPERTY OF THE ELECTRICAL CONTRACTOR (UON) AND SHALL BE REMOVED FROM THE SITE. ITEMS REMOVED SHALL NOT BE STORED AT THE SITE. UNDER NO CONDITIONS SHALL ITEMS REMOVED BE USED IN THE NEW CONSTRUCTION.
- ELECTRICAL CONTRACTOR SHALL VISIT AND EXAMINE THE SITE PRIOR TO CONSTRUCTION TO ASCERTAIN THE EXISTING CONDITIONS AND LIMITS OF DEMOLITION AND CONSTRUCTION.
- IT SHALL BE THE ELECTRICAL CONTRACTORS RESPONSIBILITY TO PROTECT AND RETAIN POWER TO ALL EXISTING ACTIVE EQUIPMENT TO REMAIN. THIS INCLUDES RE-ROUTING OF EXISTING CIRCUITRY EFFECTED BY DEMOLITION.
- ALL REMOVED COMPUTER EQUIPMENT SHALL BE TURNED OVER TO OWNER UNLESS DIRECTED TO DO OTHERWISE.
- SEE MECHANICAL DRAWING FOR HEATERS, EXHAUST FANS, ETC., WHICH MUST BE DISCONNECTED BY THE ELECTRICAL CONTRACTOR FOR REMOVAL OR ABANDONMENT BY MECHANICAL CONTRACTOR. ELECTRICAL CONTRACTOR SHALL REMOVE ALL STARTERS, DISCONNECT SWITCHES AND ASSOCIATED CONDUIT AND WIRING.
- REMOVE ALL CONDUIT, WIRE, BOXES AND FASTENING DEVICES AS REQUIRED TO AVOID ANY INTERFERENCE WITH NEW INSTALLATION.
- CONDUITS MAY BE ABANDONED IN FLOOR AND WALLS ONLY. ELECTRICAL CONTRACTOR SHALL REMOVE WIRING FROM ABANDONED CONDUITS, DISCONNECT FROM ALL POWER SOURCES AND PROVIDE PLANK PLUG ON ALL ABANDONED OUTLETS. CUT OFF ABANDONED CONDUITS 1" BELOW FINISHED FLOOR AND GROUT FLUSH. ABANDONED CONDUIT SHALL BE CAPPED AT BOTH ENDS.
- ELECTRICAL CONTRACTOR SHALL TRACE ALL CIRCUITS IN EXISTING PANELS TO REMAIN AFFECTED BY DEMOLITION. TAG ALL UNUSED CIRCUIT BREAKERS AS "SPARE" AND TIGHTEN ALL CONNECTIONS. PROVIDE NEW TYPES DIRECTORY PROTECTED BY PLASTIC AND PLACE IN COVER OF PANELS CONSISTENT WITH NEW CONSTRUCTION.
- ANY ELECTRICAL OUTAGES REQUIRED BY THE WORK SHALL BE COORDINATED WITH OWNER'S REPRESENTATIVE AND CONFIRMED IN WRITING. ANY OUTAGE SHALL NOT BE SCHEDULED DURING NORMAL BUSINESS HOURS OR DURING FACILITY FUNCTIONS AND ALL COSTS FOR OVERTIME SHALL BE THE RESPONSIBILITY OF THE OWNER.
- EXISTING LIGHTING FIXTURE BALLASTS AND FLUORESCENT LAMPS MAY CONTAIN MERCURY. DISPOSE OF BALLASTS AND LAMPS IN ACCORDANCE WITH EPA.
- HOLES LEFT BY REMOVAL OF ELECTRICAL DEVICES, PANELS, ETC. SHALL BE PATCHED IN EXISTING WALLS TO REMAIN. REFER TO ARCHITECTURAL DRAWINGS.

ABBREVIATIONS:

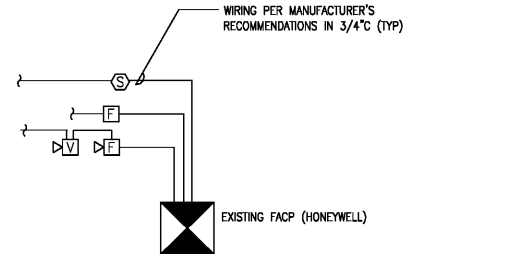
A	AMPERS	MCB	MAIN CIRCUIT BREAKER
A.F.F.	ABOVE FINISHED FLOOR	MLO	MAIN LUG ONLY
A.F.G.	ABOVE FINISHED GRADE	NTS	NOT TO SCALE
BFG	BELOW FINISHED GRADE	P	POLE
C	CONDUIT	PNL	PANEL
ETR	EXISTING TO REMAIN	SN	SOLID NEUTRAL
F	FUSE	U.O.N.	UNLESS OTHERWISE NOTED
GFI	GROUND FAULT CIRCUIT INTERRUPTING	V	VOLTS
G	GROUND	W	WIRE
KVA	KILO VOLT AMP	WP	WEATHERPROOF/GFI
KW	KILO WATT		

UTILITY NOTES:

PRIOR TO ANY EXCAVATION, CONTRACTOR SHALL HAVE ALL EXISTING UNDERGROUND UTILITIES LOCATED.

FIRE PROOFING NOTES:

- ELECTRICAL CONTRACTOR SHALL BE RESPONSIBLE FOR PROVIDING FIRE STOPPING AT ALL WALL, FLOOR AND CEILING PENETRATIONS WHERE CONDUIT PENETRATIONS OCCUR.
- PROVIDE FIRE STOPPING AT CONDUIT PENETRATIONS PER UL.



- INSTALL FIRE ALARM SYSTEM IN ACCORDANCE WITH ADA AND ALL LOCAL CODES.
- PROVIDING WIRING PER MANUFACTURER'S RECOMMENDATIONS.
- CONNECT SYSTEM TO HVAC SYSTEM CONTROLLERS FOR SHUTDOWN OF ENTIRE HVAC SYSTEM UPON ALARM.
- MODIFY EXISTING FIRE ALARM SYSTEM AS REQUIRED TO ACCEPT NEW DEVICES.

2 EXISTING FIRE ALARM RISER
E0.00 SCALE: NTS

ELECTRICAL LEGEND

LIGHTING	
[Symbol]	LIGHTING FIXTURE
[Symbol]	EMERGENCY LIGHTING FIXTURE AND/OR NIGHTLIGHT AS INDICATED
[Symbol]	DOWNLIGHT.
[Symbol]	EXIT LIGHTING FIXTURE, FACE PLATES (DARKENED) AND DIRECTIONAL ARROWS AS INDICATED. PROVIDE WITH BATTERY BACKUP. CONNECT AHEAD OF LOCAL SWITCH.
S	SINGLE POLE SWITCH, 20A, 120/277 VOLT, 46" A.F.F..
S3	THREE-WAY SWITCH, 20A, 120/277 VOLT, 46" A.F.F..
S4	FOUR-WAY SWITCH, 20A, 120/277 VOLT, 46" A.F.F..
S0	DIMMER SWITCH, 46" A.F.F. PROVIDE WATTAGE AS REQUIRED. PROVIDE DIMMER SWITCH COMPATIBLE WITH LED LIGHT FIXTURE. PROVIDE WIRING AS REQUIRED FROM DIMMER TO LIGHT FIXTURE. COORDINATE WITH FIXTURE MANUFACTURER.
S03	THREE-WAY SWITCH WITH PLOT LIGHT, 20A, 120/277 VOLT, 46" A.F.F..
[Symbol]	CEILING MOUNTED OCCUPANCY SENSOR. BY WAIT STOPPER OR APPROVED EQUAL PROVIDED WITH NUMBER OF SWITCH PACKS AS REQUIRED AND ALL OTHER REQUIRED ACCESSORIES FOR PROPER INSTALLATION.
S05	WALL MOUNTED SWITCH, 20A, 120/277V, 46" AFF WITH INTEGRAL OCCUPANCY SENSOR. BY WAIT STOPPER OR APPROVED EQUAL PROVIDED WITH NUMBER OF SWITCH PACKS AS REQUIRED AND ALL OTHER REQUIRED ACCESSORIES FOR PROPER INSTALLATION.
S05	(2) WALL MOUNTED SWITCHES, 20A, 120/277V, 46" AFF WITH INTEGRAL OCCUPANCY SENSORS BY WAIT STOPPER OR APPROVED EQUAL PROVIDED WITH NUMBER OF SWITCH PACKS AS REQUIRED AND ALL OTHER REQUIRED ACCESSORIES FOR PROPER INSTALLATION.
S005	WALL MOUNTED DIMMER SWITCH, 20A, 120/277V, 46" AFF WITH INTEGRAL OCCUPANCY SENSOR. BY WAIT STOPPER OR APPROVED EQUAL PROVIDED WITH NUMBER OF SWITCH PACKS AS REQUIRED AND ALL OTHER REQUIRED ACCESSORIES FOR PROPER INSTALLATION.
POWER	
[Symbol]	DUPLEX GROUNDING TYPE RECEPTACLE, 20A, 125 VOLT, NEMA 5-20R, 18" A.F.F., U.O.N.
[Symbol]	(2) DUPLEX GROUNDING TYPE RECEPTACLES IN COMMON BOX, 20A, 125 VOLT, NEMA 5-20R, 18" A.F.F., U.O.N
[Symbol]	DUPLEX ISOLATED GROUND TYPE RECEPTACLE, 20A, 125 VOLT, NEMA 5-20R, 18" A.F.F., U.O.N. RECEPTACLE BODY SHALL BE ORANGE.
[Symbol]	DUPLEX GROUND FAULT INTERRUPTER TYPE RECEPTACLE, 20A, 125 VOLT, NEMA 5-20R, 18" A.F.F., U.O.N.
[Symbol]	WEATHER RESISTANT RATED DUPLEX GROUND FAULT INTERRUPTER TYPE RECEPTACLE, MOUNT HORIZONTALLY 18" A.F.F., U.O.N., IN CAST OUTLET BOX WITH TAMPER DEVICE COVER.
[Symbol]	DUPLEX GROUNDING TYPE RECEPTACLE, 20A, 125 VOLT, NEMA 5-20R. MOUNT HORIZONTALLY 6" A.F.F. FOR WATER COOLER.
[Symbol]	SPECIAL RECEPTACLE, AMPERAGE, AND VOLTAGE AS INDICATED, 18" AFF, UON.
[Symbol]	PROVIDE COMBINATION USB CHARGER AND TAMPER RESISTANT RECEPTACLE. LEVITON DEVICE #15632. COORDINATE LOCATIONS WITH ARCHITECT.
[Symbol]	RECEPTACLE/TELEPHONE/DATA OUTLETS, FLUSH MOUNT IN FLUSH MOUNTED FLOOR BOX WITH RUBBER OR THERMOPLASTIC CARPET COVER PLATE. PROVIDE NUMBER AND TYPE OF DEVICES PER PLANS. COORDINATE DEPTH OF FLOOR BOX WITH SLAB DEPTH. COORDINATE EXACT LOCATION WITH ARCHITECT. PROVIDE 3/4" CONDUIT WITH CONDUCTORS INDICATED FOR SERVICE TO RECEPTACLE OUTLET. PROVIDE (1) 1-1/4" CONDUIT WITH PULLWIRE FROM EACH SPECIAL SYSTEMS OUTLET TO ABOVE NEAREST ACCESSIBLE CEILING FOR SPECIAL SYSTEM WIRING BY OTHERS.
[Symbol]	PANELBOARD, 120/208 VOLT, 3 PHASE, 4 WIRE, SN
A-1	ELECTRICAL CIRCUIT RUN IN CONDUIT AND CIRCUIT HOMERUN TO PANELBOARD (PANEL AND CIRCUIT DESIGNATION AS INDICATED). AS A MINIMUM CONDITION, EACH SINGLE PHASE CIRCUIT SHALL HAVE ONE #12 PHASE CONDUCTOR, ONE #12 NEUTRAL CONDUCTOR, AND ONE #12 GROUNDING CONDUCTOR (PLUS ONE INSULATED, ISOLATED GROUNDING CONDUCTOR WHEN SERVING ISOLATED GROUND TYPE DEVICES) IN 1/2" CONDUIT. PROVIDE ADDITIONAL PHASE CONDUCTORS AS REQUIRED FOR MULTIPLE PHASED ELECTRICAL LOADS. PROVIDE ADDITIONAL "SWITCH LEG" CONDUCTORS TO PROVIDE THE LIGHT FIXTURE CONTROL INDICATED. MULTIPLE SINGLE PHASE CONDUCTORS SHALL BE GROUPED TOGETHER IN A COMMON CONDUIT IN ACCORDANCE WITH THE NEC AND AT THE CONTRACTOR'S DISCRETION. MULTIPLE SINGLE PHASE CONDUCTORS SERVING ISOLATED GROUND RECEPTACLES SHALL NOT SHARE COMMON NEUTRALS. NEUTRAL AND GROUNDING CONDUCTORS SHALL BE SHARED AS ALLOWED BY THE NEC. BRANCH CIRCUIT CONDUCTORS IN CONDUIT SHALL BE RUN CONCEALED IN WALLS AND/OR ABOVE CEILINGS, IN/OR BELOW FLOORS, EXCEPT IN EXPOSED CONSTRUCTION AREAS. FLUORESCENT LIGHTING CIRCUITS SERVING SWITCHED FIXTURES WITH EMERGENCY BATTERY BACK-UP SHALL CONTAIN ONE UNSWITCHED CONDUCTOR. FLUORESCENT DIMMING CIRCUITS SERVING DIMMING BALLASTS SHALL BE PROVIDED WITH WIRING AS REQUIRED BY BALLAST MANUFACTURER. MULTIPLE PHASE LIGHTING CIRCUITS SERVING DIMMED LOADS SHALL NOT SHARE COMMON NEUTRALS.
[Symbol]	JUNCTION BOX.
[Symbol]	DISCONNECT SWITCH, 240 OR 600 VOLTS AS REQUIRED. AMPS, POLES AND FUSING AS NOTED, NEMA 1, U.O.N.
[Symbol]	MOTOR RATED SWITCH. MOUNT WITHIN SIGHT OF EQUIPMENT.
[Symbol]	MOTOR CONNECTION, WITH INTEGRAL DISCONNECTING MEANS.
[Symbol]	STARTER
[Symbol]	KEYNOTE.
SPECIAL SYSTEMS	
[Symbol]	TELEPHONE/DATA OUTLET 18" A.F.F., U.O.N. DOUBLE GANG BOX WITH DEVICE PLATE. PROVIDE 1" (UON) CONDUIT WITH PULLWIRE FROM OUTLET TO ABOVE ACCESSIBLE CEILING. PROVIDE WITH SINGLE GANG ADAPTER.
[Symbol]	TELEPHONE OUTLET 18" A.F.F., U.O.N. DOUBLE GANG BOX WITH DEVICE PLATE. PROVIDE 3/4" (UON) CONDUIT WITH PULLWIRE FROM OUTLET TO ABOVE ACCESSIBLE CEILING. PROVIDE WITH SINGLE GANG ADAPTER.
[Symbol]	TELEVISION OUTLET 18" A.F.F., U.O.N. SINGLE GANG BOX WITH DEVICE PLATE. PROVIDE 3/4" (UON) CONDUIT WITH PULLWIRE FROM OUTLET TO ABOVE ACCESSIBLE CEILING.
[Symbol]	TELEPHONE/TELEVISION PANELBOARD, 4' X 4' X 3/4" THICK EXTERIOR GRADE PLYWOOD. MOUNT VERTICALLY WITH BOTTOM OF PLYWOOD 6" A.F.F., U.O.N.
FIRE ALARM SYSTEMS	
[Symbol]	FIRE ALARM PULL STATION. WALL MOUNT AT 46" A.F.F. (ON CENTER)
[Symbol]	FIRE ALARM HORN/STROBE. WALL MOUNT 80" A.F.F. TO BOTTOM OF LENS, (BOTTOM OF LENS 96" MAX A.F.F OR 6" BELOW CEILING IN COMPLIANCE WITH NFPA 72.)
[Symbol]	FIRE ALARM STROBE. WALL MOUNT 80" A.F.F. TO BOTTOM OF LENS, (BOTTOM OF LENS 96" MAX A.F.F OR 6" BELOW CEILING IN COMPLIANCE WITH NFPA 72.)
[Symbol]	FIRE ALARM SMOKE DETECTOR, PHOTOELECTRIC TYPE.
[Symbol]	FIRE ALARM HEAT DETECTOR.
[Symbol]	FIRE ALARM STROBE. CEILING MOUNT.
[Symbol]	FIRE ALARM HORN/STROBE. CEILING MOUNT.
[Symbol]	TAMPER SWITCH
[Symbol]	FLOW SWITCH

E0.00
NOTES, DETAILS & LEGENDS
1/4" = 1'-0"

ISSUES
PERMIT SET

11.25.20

9Round - Atlanta
1745 Peachtree Road NW, Suite L
Atlanta, GA 30309
Project Number: 739.00
ISSUED FOR CONSTRUCTION

STRUCTURAL

M.E.P. & F.P.
WestSide Engineering
5525 Interstate North Parkway
Suite 200
Atlanta, GA 30328
Phone: 404-242-6240
WE# 20238

CIVIL

GEORGIA REGISTERED PROFESSIONAL ENGINEER
No. 027938
CHARLES C. ESSLINGER