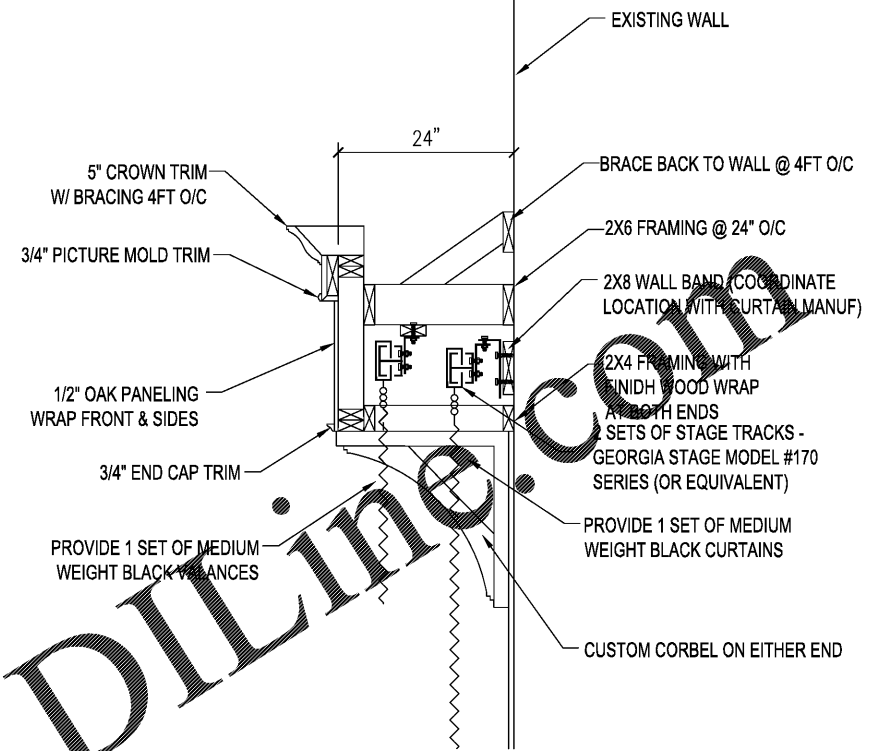
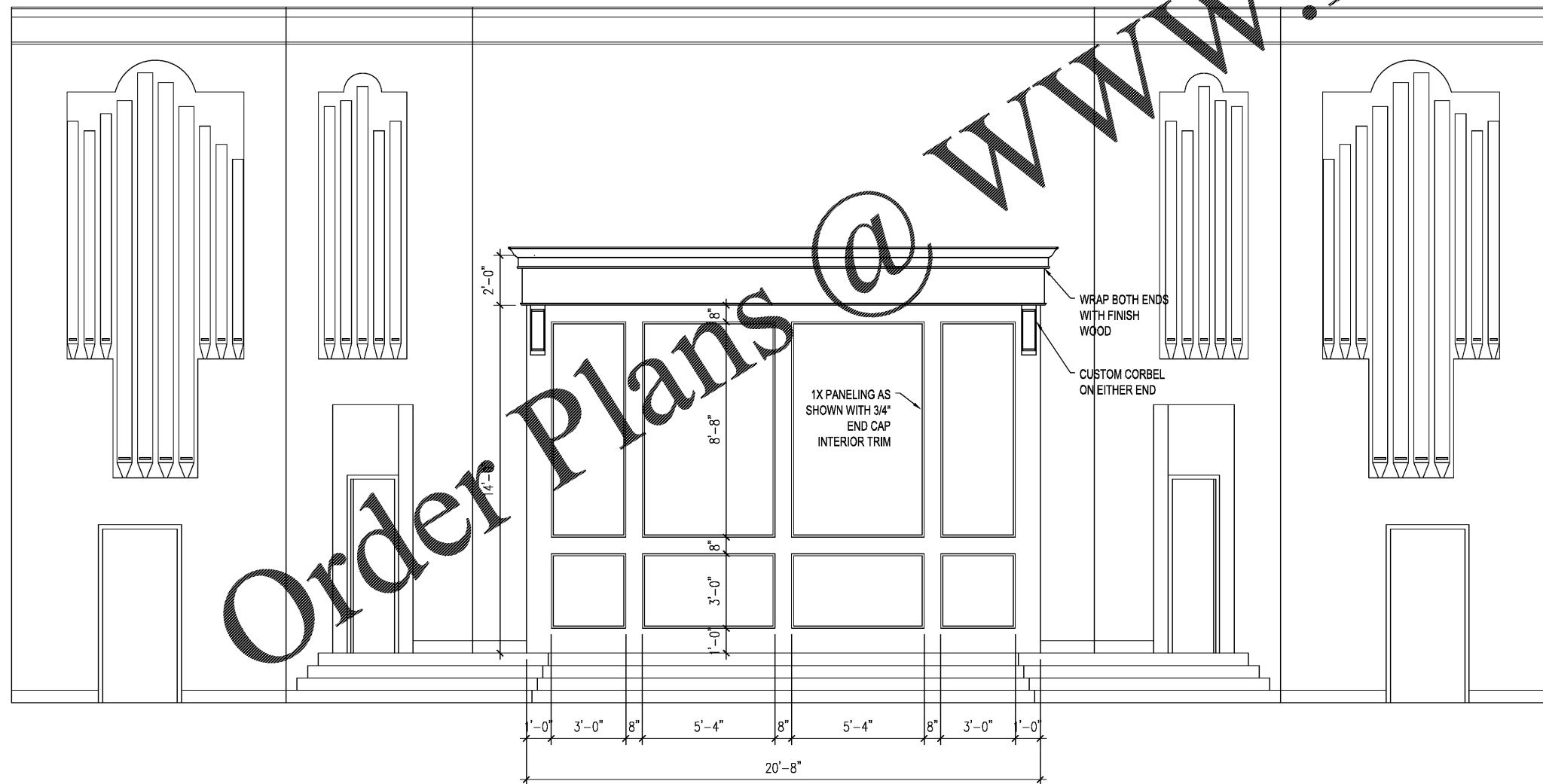


PROSCENIUM NOTE:
 ALL FINISH WOOD TO BE STAIN GRADE OAK. STAIN COLOR TO BE DETERMINED.

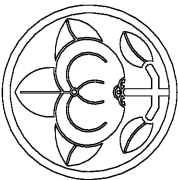


1 BACKDROP FRAMING DETAIL
 SCALE: 1" = 1'-0"



A STAGE ELEVATION
 SCALE: 1/4" = 1'-0"

IGARASHI
 DESIGNS



issue date/revisions

architect's seal

project name
 AUDITORIUM
 903 North Main St.
 Conyers, GA 30012

sheet title
 STAGE ELEVATION

drawn by
 MJAI
 checked by
 ...
 project no.
 ...
 date
 9-23-20

A1.2

sheet no.