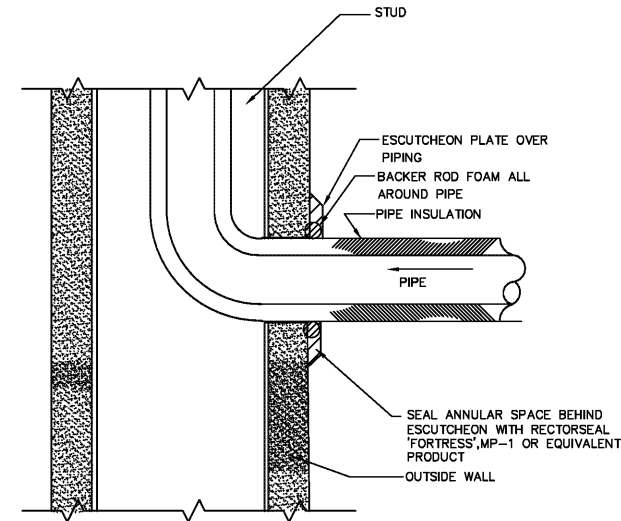
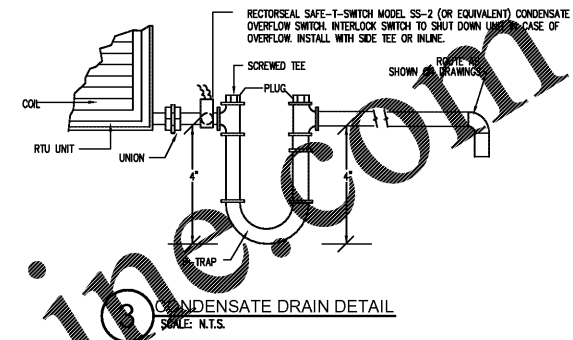


NOTE: 1) THIS DETAIL IS FOR HEAT PUMP UNIT 5 TONS AND UNDER  
2) PROVIDE WELDED WIRE MESH FRAME FOR THE CONCRETE PAD.  
3) PAD SHALL BE TYPICAL DIVERSITECH ULTRALITE EQUIPMENT PAD OR EQUIVALENT.

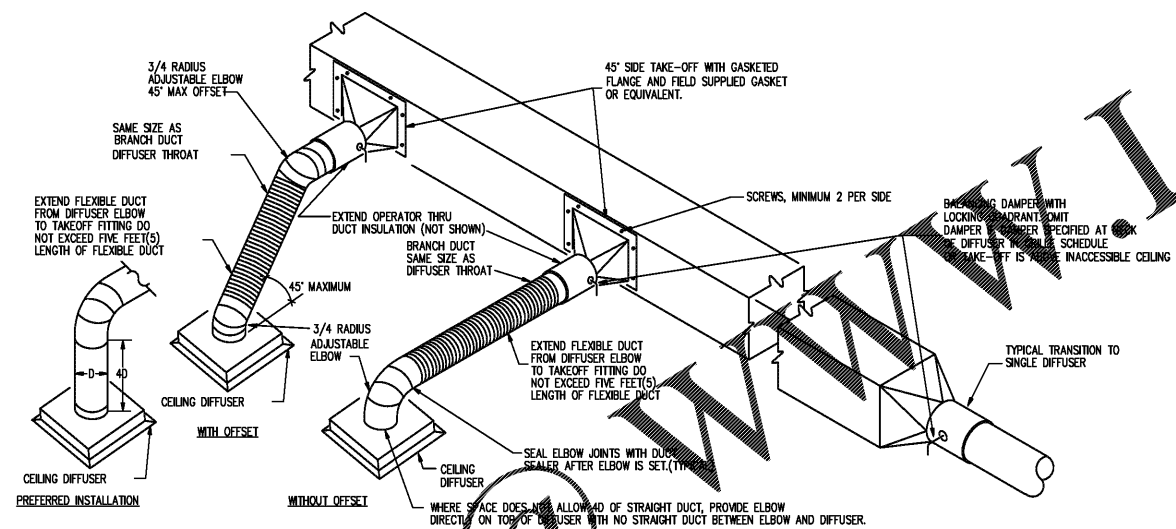
**1** AIRCOOLED CONDENSING UNIT SLAB MOUNTED  
SCALE: N.T.S.



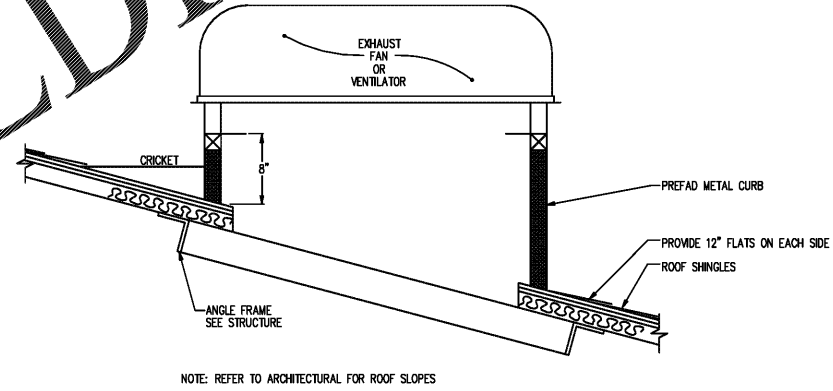
**2** REFRIGERANT PIPE SLEEVE THRU WALL DETAIL  
SCALE: N.T.S.



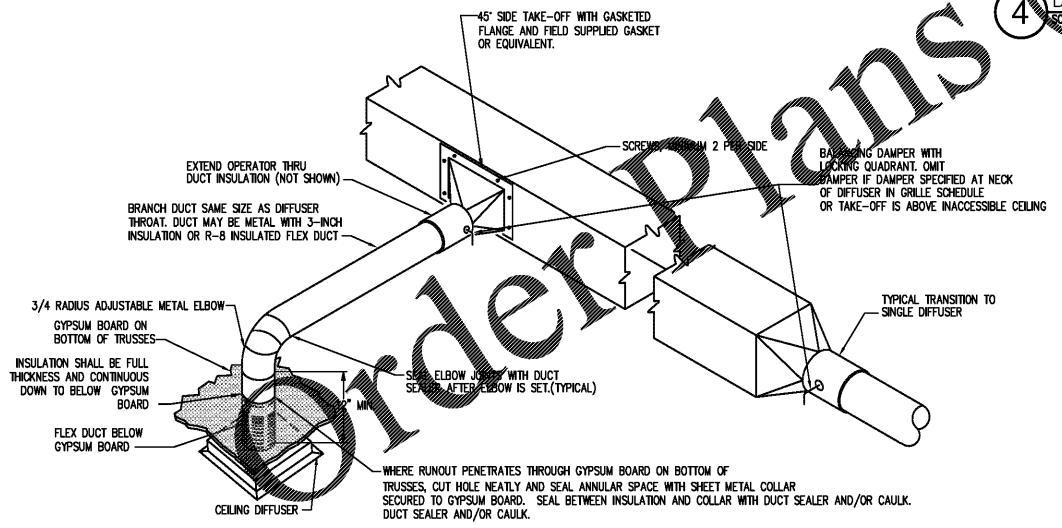
**3** CONDENSATE DRAIN DETAIL  
SCALE: N.T.S.



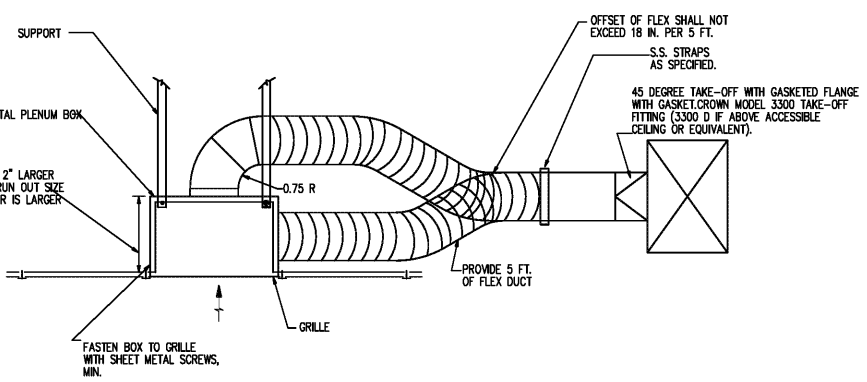
**4** DIFFUSER RUN OUT DETAIL  
SCALE: N.T.S.



**5** FAN/VENTILATOR ON SLOPED ROOF DETAIL  
SCALE: N.T.S.



**6** DIFFUSER - GYPSUM BOARD ON TRUSS  
SCALE: N.T.S.



**7** TYPICAL GRILLE WITH LINED PLENUM DETAIL  
SCALE: N.T.S.

A NEW ADDITION TO  
**ROCKDALE COUNTY**  
**ANIMAL CONTROL**  
1506 ROCKBRIDGE ROAD, CONYERS, GA 30012

MARK	DATE	DESCRIPTION
Δ	12/17/19	KENNEL LOCATIONS

DATE: 11-01-18 PROJECT NUMBER: 18-059

DRAWN BY: JWK & KMP CHECK BY: KMP

SHEET TITLE: MECHANICAL DETAILS